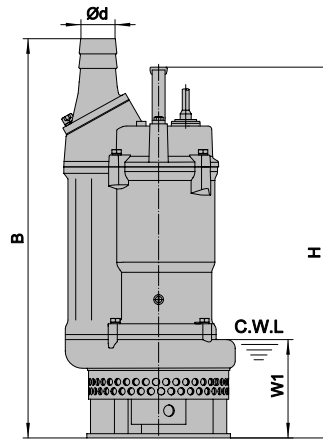
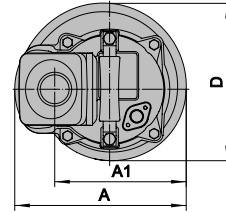
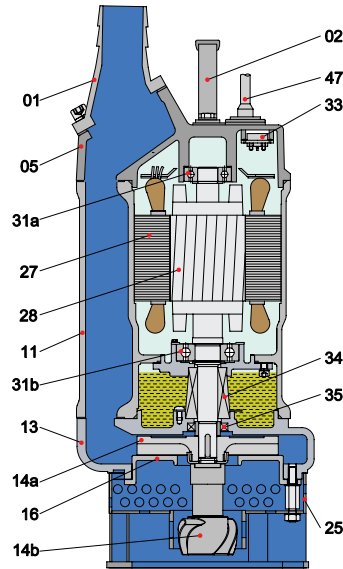


Dimensions

SDA Series



C.W.L.: Continuous running water level

Item No.	Part Name	Material	Item No.	Part Name	Material
01	Hose Coupling	Cast Iron	27	Stator	
02	Handle	Rubber & Steel	28	Rotor	Shaft: AISI420SS
05	Upper cover	Cast Iron	31a	Bearing	Ball Bearing
11	Outer Body	Cast Iron	31b	Bearing	Ball Bearing
13	Pump Body	NBR	33	Motor Protector	
14a	Impeller	High Chrome Alloy	34	Mechanical Seal	Sic-Sic/Carbon-Sic(≤2.2kW)
14b	Agitator	High Chrome Alloy			Sic-Sic/Sic-Sic(3.7kW)
16	Inlet Plate	Ductile Iron	35	Oil Seal	
25	Strainer	Steel	47	Cable	

Model (50/60Hz)	d	A	A1	B	D	H	W1	N.W	G.W	Packing Dimension
	mm	mm	mm	mm	mm	mm	mm	Kg	Kg	mm
SDA-50-52-1.5T2-O	50	235	173	557	216	522	135	37	41	620x265x275
SDA-80-52-1.5T2-O	80	235	173	564	216	522	135	37	41	620x265x275
SDA-50-52-2.2T2-O	50	235	173	557	216	522	135	40	44	620x265x275
SDA-80-52-2.2T2-O	80	235	173	564	216	522	135	40	44	620x265x275
SDA-80-52-3.7T2-O	80	283	208	636	252	642	165	64	69	725x320x295
SDA-100-52-3.7T2-O	100	283	208	661	252	642	165	65	70	725x320x295
SDA-80-52-5.5T2-O	80	329	240	698	300	603	165	78	85	770x350x335
SDA-100-52-5.5T2-O	100	329	240	723	300	603	165	79	86	770x350x335