

aquaplus

SDN Pump Series - Submersible Pump



Hydraulic part under the motor and motor cooled by the pumped water for safe operation even with the pump only partially immersed. Double mechanical seals in oil bath.



Main Advantages

- Double shaft seal
- Interposed oil chamber
- The perfect pump for mining, building and industrial applications
- Hydraulic part under the motor

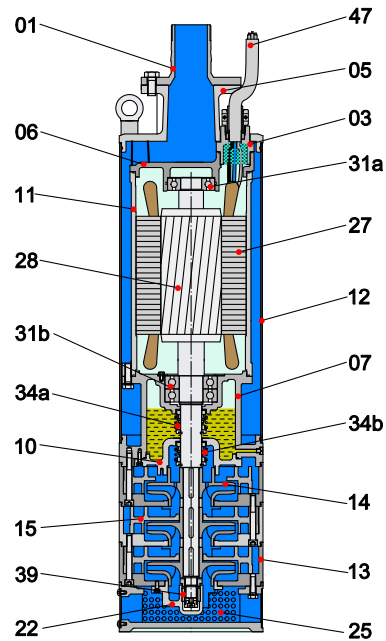
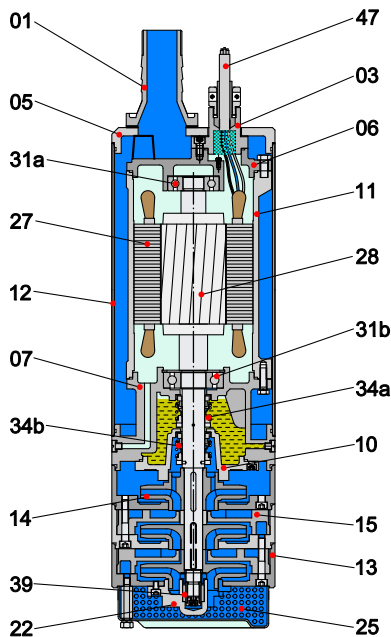
Application

- For mining, building, factory and industrial applications.
- For water supply from wells, tanks or reservoirs.
- For garden use and agricultural irrigation.

Specification

- Water temperature: up to 40°C
- PH: 6.5-8.5
- Power supply: three phase, 380V±10%, 50Hz
380V±10%, 60Hz
- Power: 2.2 kW~ 75kW
- Insulation class: < 30kW B
>37kW F
- Protection class: IP68
- Capacity: up to 190m³ /h
- Head: up to 204 m
- Maximum immersion depth: 20 m
- Cable length: 15m

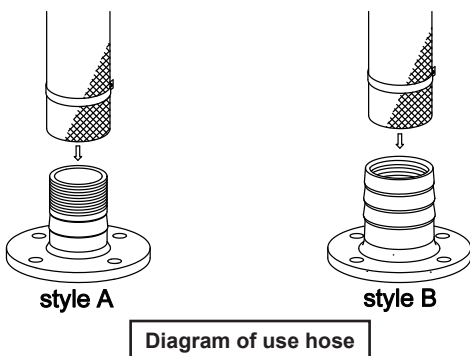
Material of construction



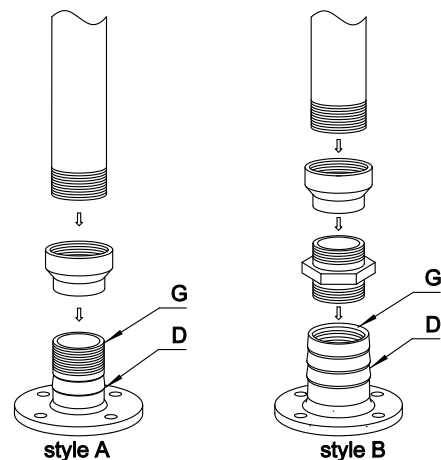
Item No.	Part Name	Material
01	Hose coupling	CastIron
03	Terminal Box	Cast Iron
05	Upper Cover	Cast Iron
06	Upper Bearing Housing	Cast Iron
07	Bearing Housing	Cast Iron
10	Seal Bracket	Cast Iron
11	Motor Body	Cast Iron
12	Outer Casing	Stainless Steel
13	Pump Casing	Cast Iron
14	Impeller	Cast Iron
15	Diffuser	Cast Iron

Item No.	Part Name	Material
22	Seat Assembly	Cast Iron
25	Strainer	Steel
27	Stator	
28	Rotor	Shaft: Stainless Steel
31a	Bearing	Ball Bearing
31b	Bearing	Ball Bearing
34a	Mechanical Seal	Sic-Sic
34b	Mechanical Seal	Sic-Sic ($\leq 9.2\text{kW}$)
		Sic-Sic ($\geq 11\text{kW}$)
47	Cable	

Dual Purpose water outlet joint

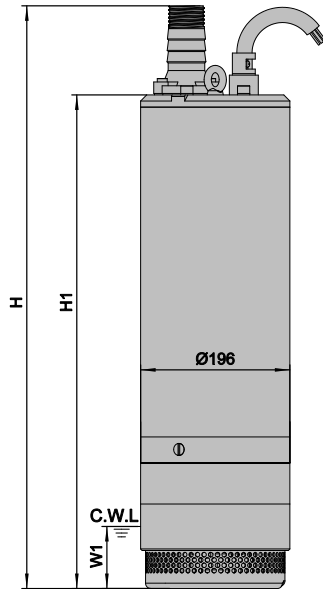


Outlet D	Style	Hose I.D.	Steel pipe		
			G	Transition joint	Nominal pipe diameter
50	A	50	G1½"	G1½" → G2"	50
65	A	65	G2"	G2" → G1½"	65
80	A	80	G2½"	G2½" → G3"	80
100	B	100	G3"	G3" → G4"	100

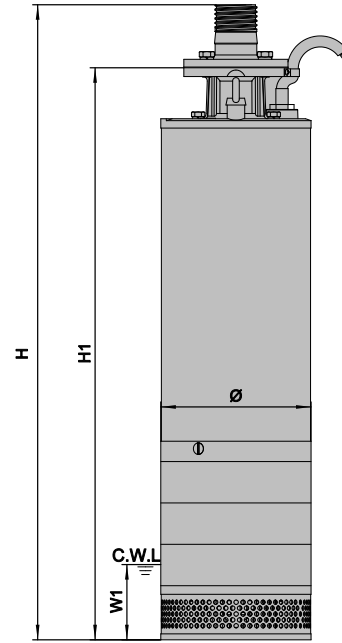


All content is subject to change without notice.

Dimensions & weights



C.W.L.:Continuous running water level

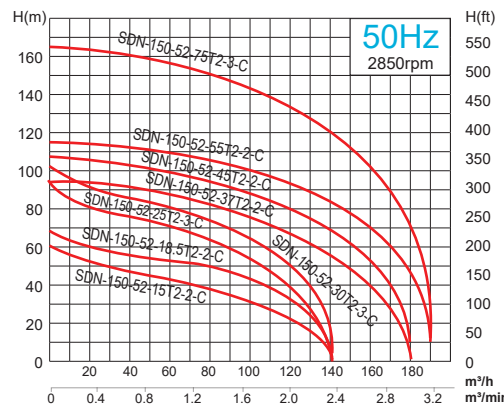
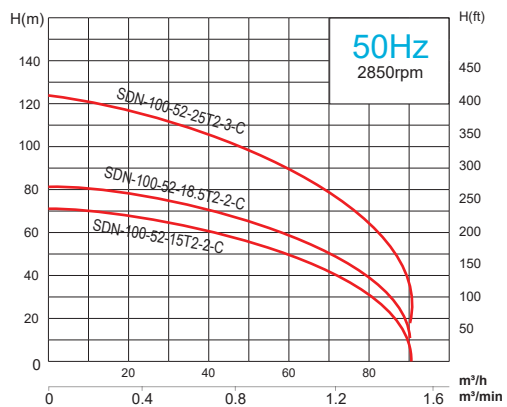
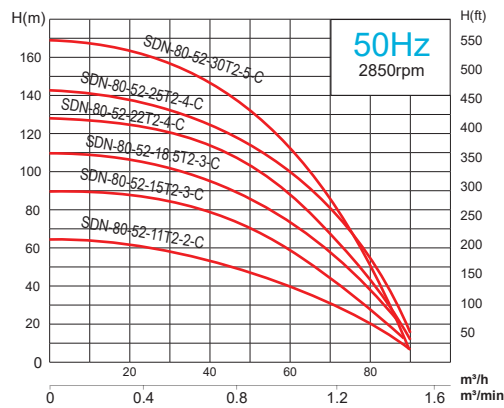
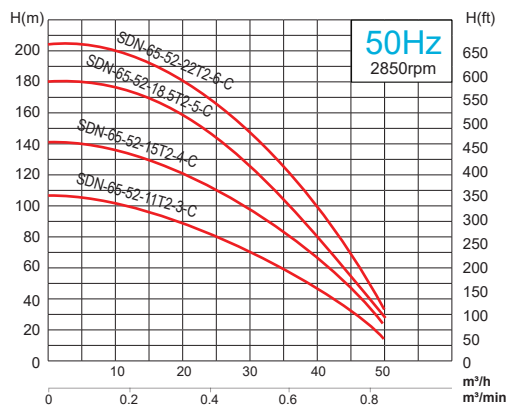


C.W.L.:Continuous running water level

50Hz	Dimension				Weight G.W Kg	Packing Dimension mm
	Ø	H1	H	W1		
Model	mm	mm	mm	mm		
SDN-50-52-2.2T2-2-C	Ø196	555	670	80	57	750x230x285
SDN-65-52-2.2T2-1-C	Ø196	515	630	80	51	720x230x285
SDN-50-52-3.0T2-3-C	Ø196	600	715	80	66	795x230x285
SDN-65-52-3.0T2-2-C	Ø196	570	685	80	61	765x230x285
SDN-50-52-4.0T2-3-C	Ø196	635	750	80	72	830x230x285
SDN-65-52-4.0T2-2-C	Ø196	600	715	80	68	800x230x285
SDN-50-52-5.5T2-3-C	Ø196	680	795	80	80	875x230x285
SDN-65-52-5.5T2-3-C	Ø196	705	820	80	84	900x230x285
SDN-65-52-7.5T2-4-C	Ø196	825	940	80	98	995x235x285
SDN-65-52-9.2T2-5-C	Ø196	910	1025	80	113	1080x235x315
SDN-65-52-11T2-3-C	Ø274	895	1010	130	189	1065x305x395
SDN-80-52-11T2-2-C	Ø274	901	1016	130	187	1075x305x395
SDN-65-52-15T2-4-C	Ø274	992	1107	130	222	1175x305x395
SDN-80-52-15T2-3-C	Ø274	1022	1137	130	218	1205x305x395
SDN-100-52-15T2-2-C	Ø274	946	1061	130	201	1125x305x395
SDN-150-52-15T2-2-C	Ø274	989	1130	130	211	1175x305x395
SDN-65-52-18.5T2-5-C	Ø274	1066	1181	130	250	1245x305x425
SDN-80-52-18.5T2-3-C	Ø274	1042	1157	130	237	1225x305x425
SDN-100-52-18.5T2-2-C	Ø274	966	1081	130	216	1145x305x425
SDN-150-52-18.5T2-2-C	Ø274	1009	1150	130	230	1195x305x425
SDN-65-52-22T2-6-C	Ø274	1193	1308	130	282	1385x305x425
SDN-80-52-22T2-4-C	Ø274	1193	1308	130	241	1385x305x425
SDN-80-52-25T2-4-C	Ø274	1193	1308	130	283	1385x305x425
SDN-100-52-25T2-3-C	Ø274	1117	1232	130	277	1305x305x425
SDN-150-52-25T2-3-C	Ø274	1178	1319	130	274	1365x305x425
SDN-80-52-30T2-5-C	Ø274	1320	1435	130	324	1520x305x425
SDN-150-52-30T2-3-C	Ø274	1228	1369	130	295	1415x305x425
SDN-150-52-37T2-2-C	Ø350	1120	1301	175	428	1425x420x615
SDN-150-52-45T2-2-C	Ø350	1185	1366	175	468	1490x420x615
SDN-150-52-55T2-2-C	Ø380	1198	1379	175	555	1495x450x655
SDN-150-52-75T2-3-C	Ø380	1406	1587	175	658	1715x450x655

60Hz	Dimension				Weight G.W Kg	Packing Dimension mm
	Ø	H1	H	W1		
Model	mm	mm	mm	mm		
SDN-50-52-2.2T2-2-C	Ø196	555	670	80	57	750x230x285
SDN-65-52-2.2T2-1-C	Ø196	515	630	80	51	720x230x285
SDN-50-52-3.0T2	Ø196	553	668	80	60	750x230x285
SDN-50-52-4.0T2-4-C	Ø196	588	703	80	65	785x230x285
SDN-65-52-4.0T2-2-C	Ø196	600	715	80	68	800x230x285
SDN-50-52-5.5T2-2-C	Ø196	633	748	80	74	830x230x285
SDN-65-52-5.5T2-2-C	Ø196	650	765	80	77	845x230x285
SDN-65-52-7.5T2-2-C	Ø196	770	885	80	93	965x230x285
SDN-65-52-9.2T2-3-C	Ø196	800	915	80	100	995x230x285
SDN-65-52-11T2-2-C	Ø274	841	956	130	174	1040x305x395
SDN-80-52-11T2-2-C	Ø274	901	1016	130	187	1105x305x395
SDN-65-52-15T2-3-C	Ø274	938	1053	130	207	1150x305x395
SDN-80-52-15T2-2-C	Ø274	946	1061	130	199	1160x305x395
SDN-80-52-18.5T2-2-C	Ø274	966	1081	130	218	1180x305x405
SDN-65-52-22T2-4-C	Ø274	1085	1200	130	253	1305x305x405
SDN-80-52-22T2-3-C	Ø274	1117	1232	130	222	1340x305x405

Performance curves

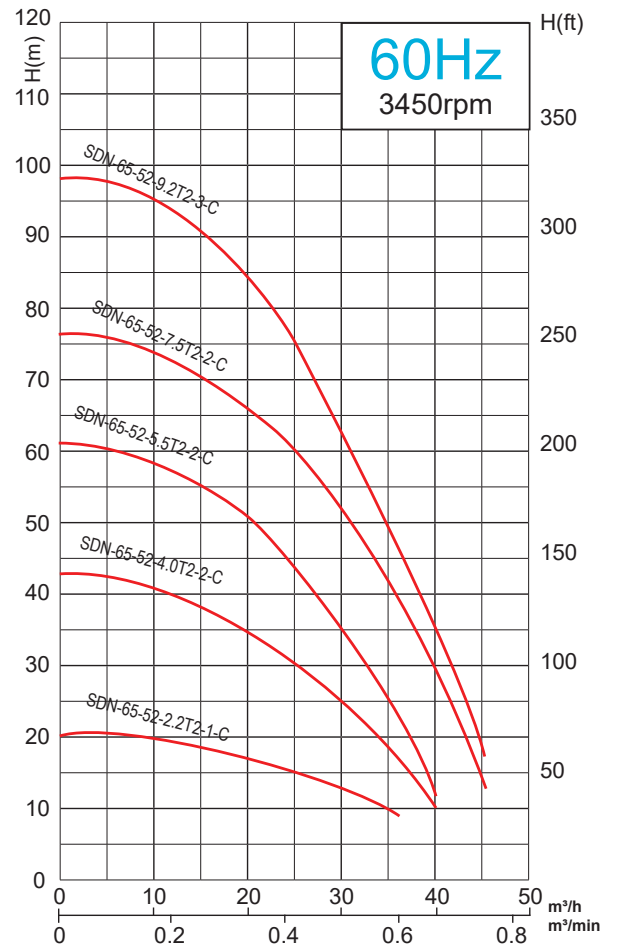
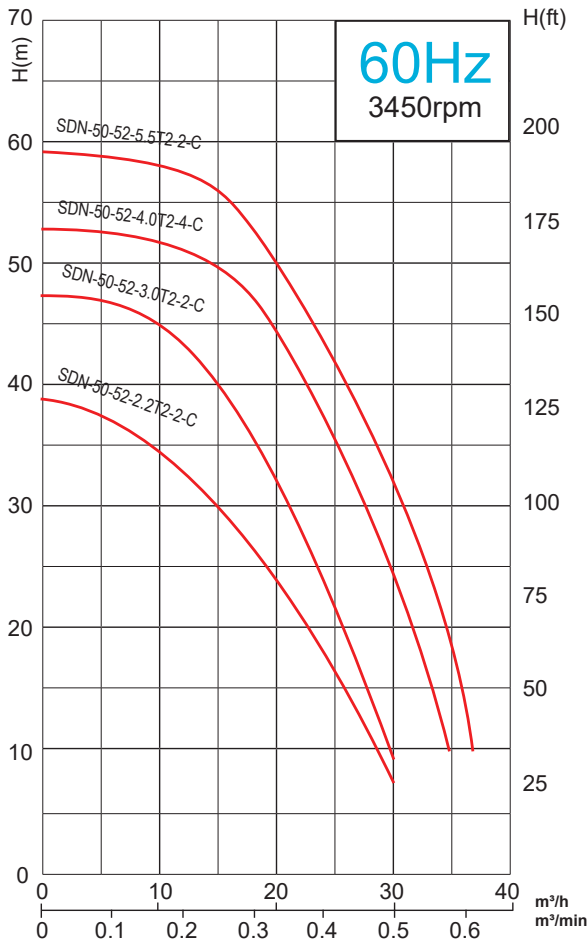


Performance table

Model (50/50Hz)	Motor Power		Rated Current (380V)	Outlet mm	Rated Capacity m³/h	Rated Head m	Max Capacity m³/h	Max Head m	Impeller Passage mm
	kW	HP	A						
SDN-65-52-11T2-3-C	11	15	22	65	20	90	50	106	6
SDN-80-52-11T2-2-C	11	15	22	80	40	55	90	63	8
SDN-65-52-15T2-4-C	15	20	31	65	20	125	50	142	6
SDN-80-52-15T2-3-C	15	20	31	80	40	80	90	90	8
SDN-100-52-15T2-2-C	15	20	31	100	60	50	90	73	10
SDN-150-52-15T2-2-C	15	20	31	150	100	33	142	60	10
SDN-65-52-18.5T2-5-C	18.5	25	37.2	65	20	160	50	178	6
SDN-80-52-18.5T2-3-C	18.5	25	37.2	80	40	95	90	108	8
SDN-100-52-18.5T2-2-C	18.5	25	37.2	100	60	60	90	81	10
SDN-150-52-18.5T2-2-C	18.5	25	37.2	150	100	44	142	68	10
SDN-65-52-22T2-6-C	22	30	45	65	20	180	50	204	6
SDN-80-52-22T2-4-C	22	30	45	80	40	115	90	127	8
SDN-80-52-25T2-4-C	25	34	51	80	40	125	90	144	8
SDN-100-52-25T2-3-C	25	34	51	100	60	90	90	123	10
SDN-150-52-25T2-3-C	25	34	51	150	100	55	142	95	10
SDN-80-52-30T2-5-C	30	40	60.2	80	40	150	90	170	8
SDN-150-52-30T2-3-C	30	40	60.2	150	100	66	142	102	10
SDN-150-52-37T2-2-C	37	50	68	150	100	75	180	95	15
SDN-150-52-45T2-2-C	45	60	82	150	100	90	180	108	15
SDN-150-52-55T2-2-C	55	75	100	150	100	100	190	115	15
SDN-150-52-75T2-3-C	75	100	134	150	100	145	190	165	15

All content is subject to change without notice.

Performance curves



Performance table

Model (50/50Hz)	Motor Power		Rated Current (380V) A	Motor Protector	Outlet mm	Rated Capacity m³/h	Rated Head m	Max Capacity m³/h	Max Head m	Impeller Passage mm
	kW	HP								
SDN-50-52-2.2T2-2-C	2.2	3	5.4	Built-in	50	10	34	30	38	6
SDN-65-52-2.2T2-1-C	2.2	3	5.4	Built-in	65	25	17	35	21	6
SDN-50-52-3.0T2	3	4	7.2	Built-in	50	10	45	30	47	6
SDN-50-52-4.0T2-4-C	4	5.5	8.8	Built-in	50	12.5	50	37	53	6
SDN-65-52-4.0T2-2-C	4	5.5	8.8	Built-in	65	25	30	40	43	6
SDN-50-52-5.5T2-2-C	5.5	7.5	11.7	Built-in	50	15	57	35	59	6
SDN-65-52-5.5T2-2-C	5.5	7.5	11.7	Built-in	65	25	45	40	62	6
SDN-65-52-7.5T2-2-C	7.5	10	15.7	Built-in	65	25	60	45	76	6
SDN-65-52-9.2T2-3-C	9.2	12.5	19.1	-	65	25	75	45	96	6

All content is subject to change without notice.

Aquaplus Product Range

ESD Series – End Suction DIN (24255) Pumps

ESI Series – End Suction ISO (2585) Pumps

SP Series – Self Priming Pumps

SD Series – Submersible Dewatering Pumps

SS Series – Submersible Sewerage Pumps

AD Series – Air Diaphragm Pumps

MS Series – Mechanical Seals (Single Spring & Cartridge)



EXCLUSIVELY DISTRIBUTED BY



1800 733 687

www.mtp.com.au | mtp@mtp.com.au

For information on these products or for any specialised requirements please contact your local Aquaplus distributor or visit our website at www.aquapluspumps.com.au