

TECHNICAL DATA SHEETS

*Closed Impeller 1500
Pump Curve Booklet*



Retroc-Fit

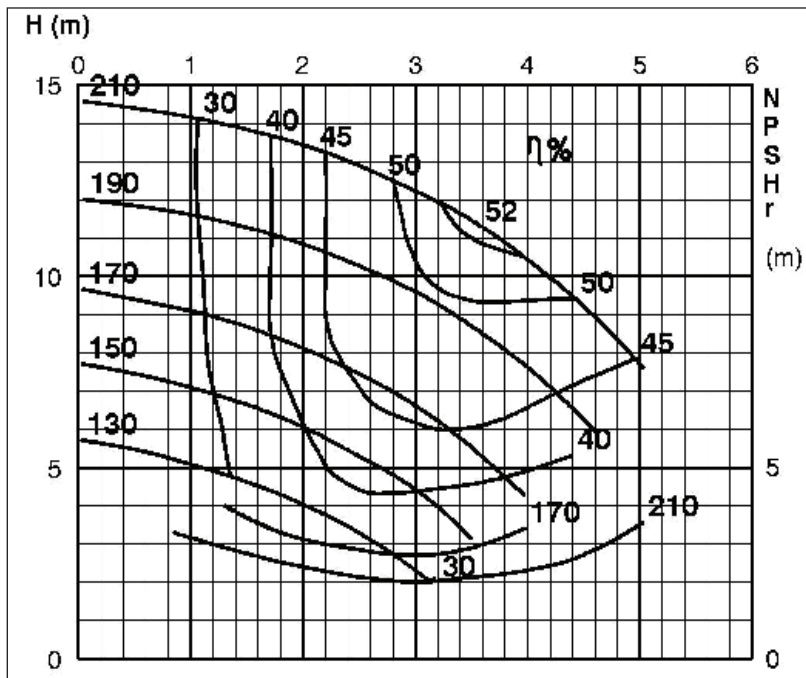
Pumps

TECHNICAL SPECIFICATIONS

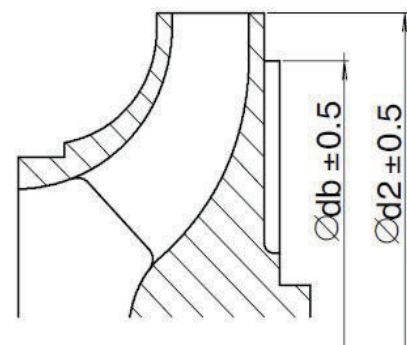
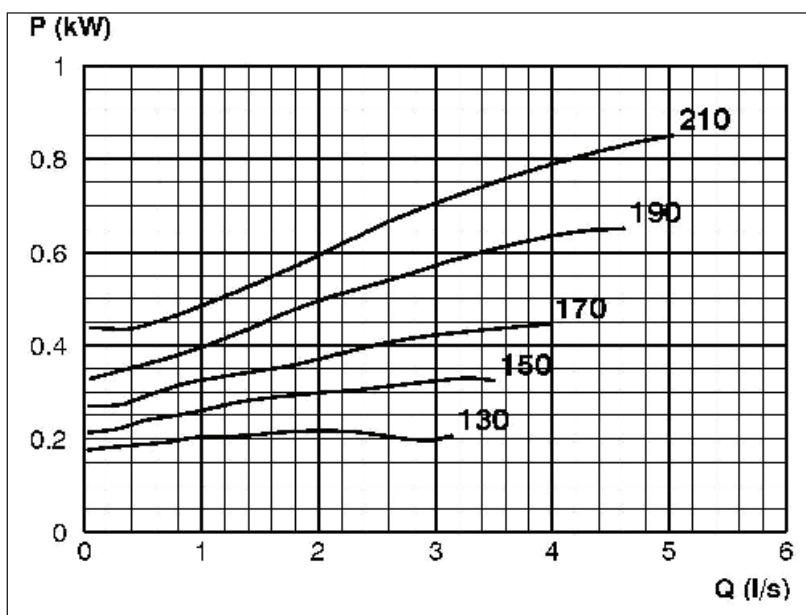
Retroc-Fit Pumps
ISP Process Pumps - ISP32-200
ISP Impeller 283902 Closed B4 Z5

Performance Curve - ISP32-200-1420

1420 rpm



| Impeller Dia | |
|------------------------|------------------------|
| $\varnothing d_2$ (mm) | $\varnothing d_b$ (mm) |
| 210 | 149.0 |
| 205 | 147.5 |
| 200 | 146.0 |
| 195 | 144.5 |
| 190 | 143.0 |
| 185 | 141.5 |
| 180 | 140.0 |
| 175 | 138.5 |
| 170 | 137.0 |
| 165 | 135.5 |
| 160 | 134.0 |
| 155 | 132.5 |
| 150 | 131.0 |
| 145 | 129.5 |
| 140 | 128.0 |
| 135 | 126.5 |
| 130 | 125.0 |



MTP127

Retro-Fit

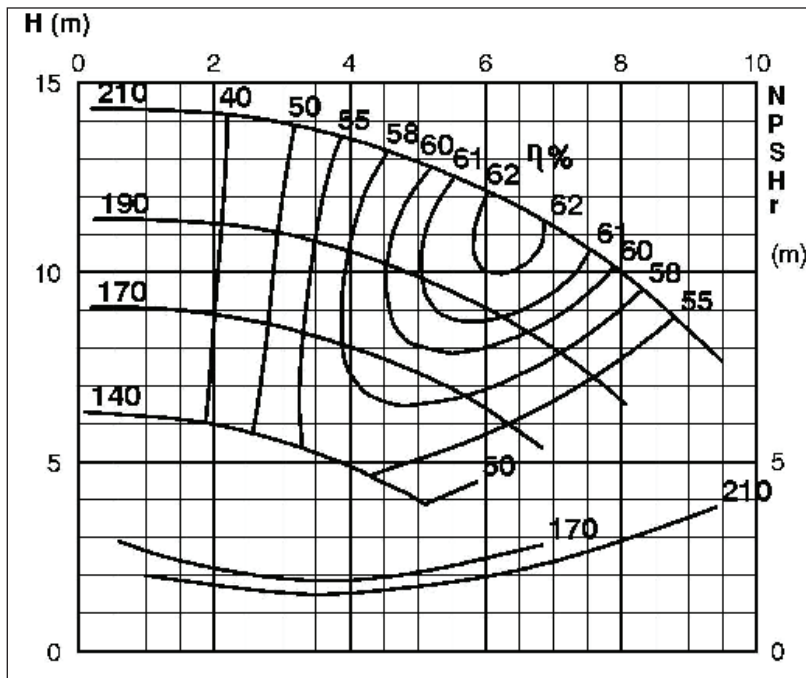
Pumps

TECHNICAL SPECIFICATIONS

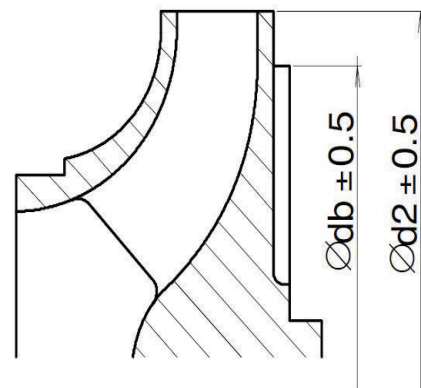
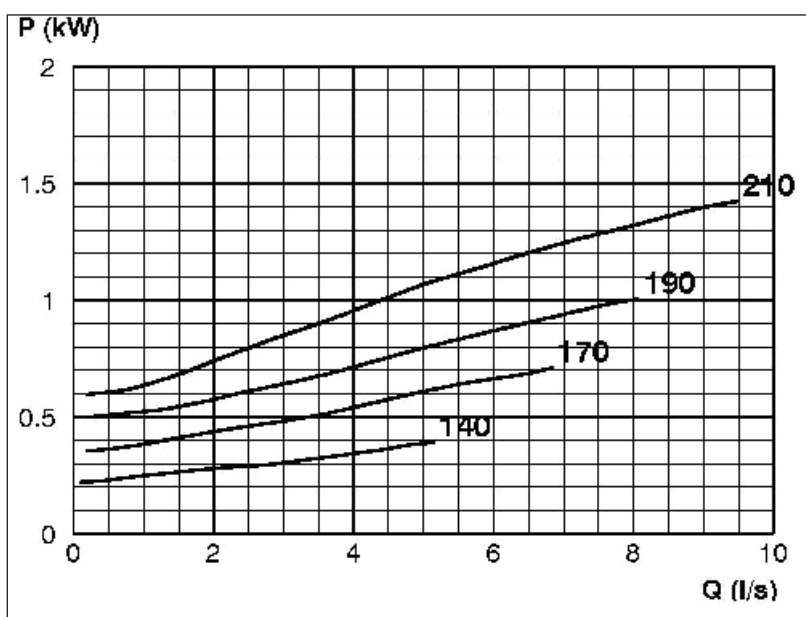
Retro-Fit Pumps
ISP Process Pumps - ISP40-200
ISP Impeller 283903 Closed B7 Z5

Performance Curve - ISP40-200-1420

1420 rpm



| Impeller Dia | |
|------------------------|------------------------|
| $\varnothing d_2$ (mm) | $\varnothing d_b$ (mm) |
| 210 | 169 |
| 205 | 165 |
| 200 | 160 |
| 195 | 157 |
| 190 | 153 |
| 185 | 151 |
| 180 | 149 |
| 175 | 147 |
| 170 | 145 |
| 165 | 143 |
| 160 | 140 |
| 155 | 139 |
| 150 | 137 |
| 145 | 135 |
| 140 | 132 |



MTP127

Retroc-Fit

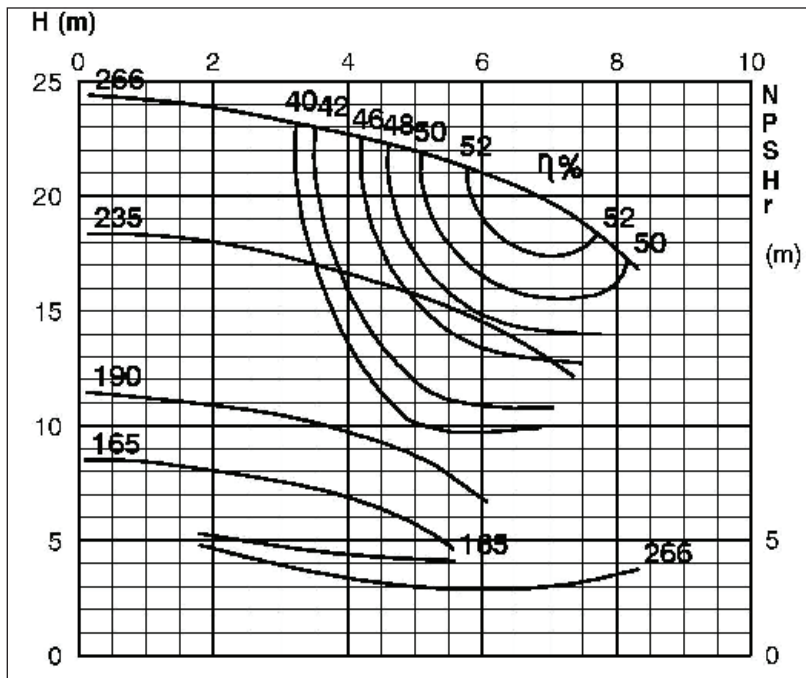
Pumps

TECHNICAL SPECIFICATIONS

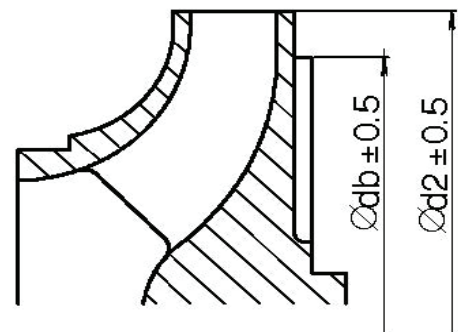
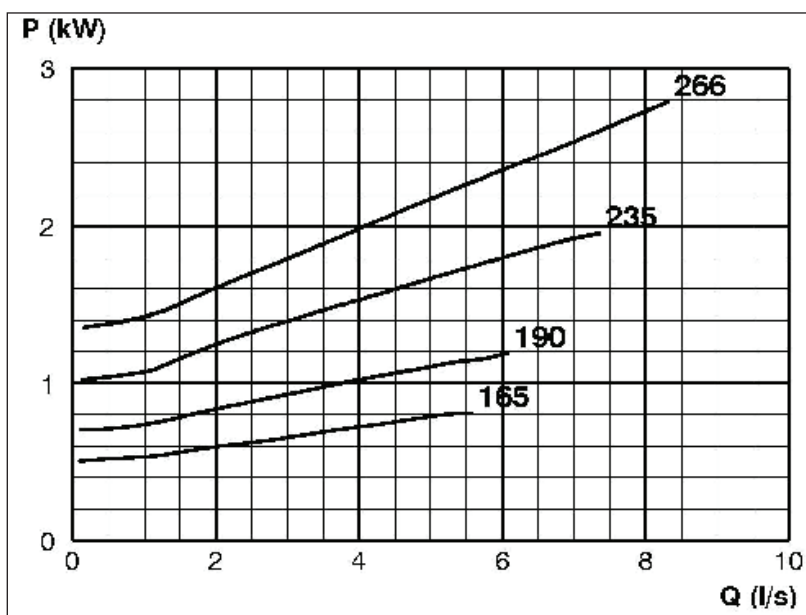
Retroc-Fit Pumps
ISP Process Pumps - ISP40-250
ISP Impeller 287014 Closed B5 Z5

Performance Curve - ISP40-250-1440

1440 rpm



| Impeller Dia | |
|----------------------|----------------------|
| Ød ₂ (mm) | Ød _b (mm) |
| 266 | 175 |
| 260 | 172 |
| 255 | 169 |
| 250 | 166 |
| 245 | 164 |
| 240 | 161 |
| 235 | 159 |
| 230 | 157 |
| 225 | 156 |
| 220 | 154 |
| 215 | 152 |
| 210 | 150 |
| 205 | 148 |
| 200 | 147 |
| 195 | 146 |
| 190 | 144 |
| 185 | 143 |
| 180 | 142 |
| 175 | 141 |
| 170 | 140 |
| 165 | 138 |



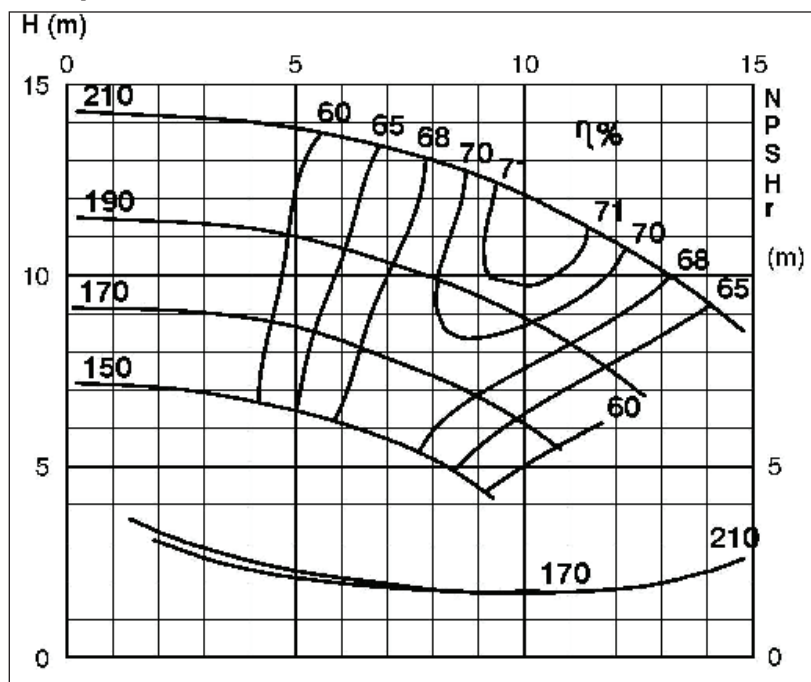
MTP127

TECHNICAL SPECIFICATIONS

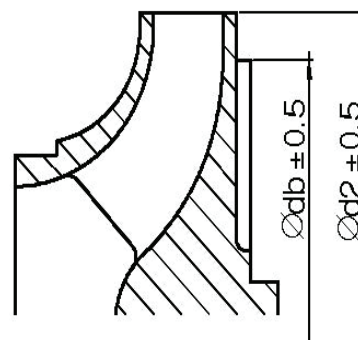
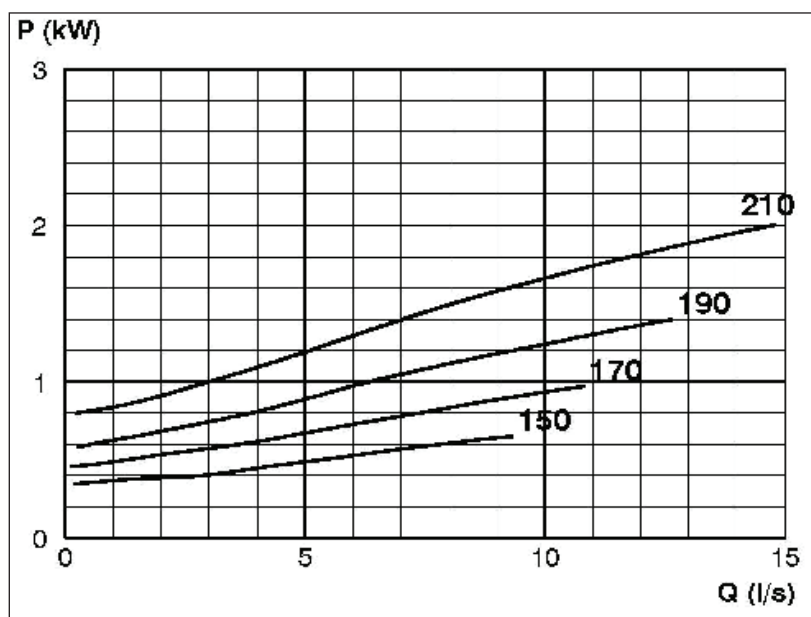
ISP Process Pumps - ISP50-200
ISP Impeller 283904 Closed B10 Z5

Performance Curve - ISP50-200-1420

1420 rpm



| Impeller Dia | |
|----------------------|----------------------|
| Ød ₂ (mm) | Ød _b (mm) |
| 210 | 177 |
| 205 | 173 |
| 200 | 168 |
| 195 | 165 |
| 190 | 162 |
| 185 | 160 |
| 180 | 158 |
| 175 | 156 |
| 170 | 153 |
| 165 | 151 |
| 160 | 149 |
| 155 | 147 |
| 150 | 144 |

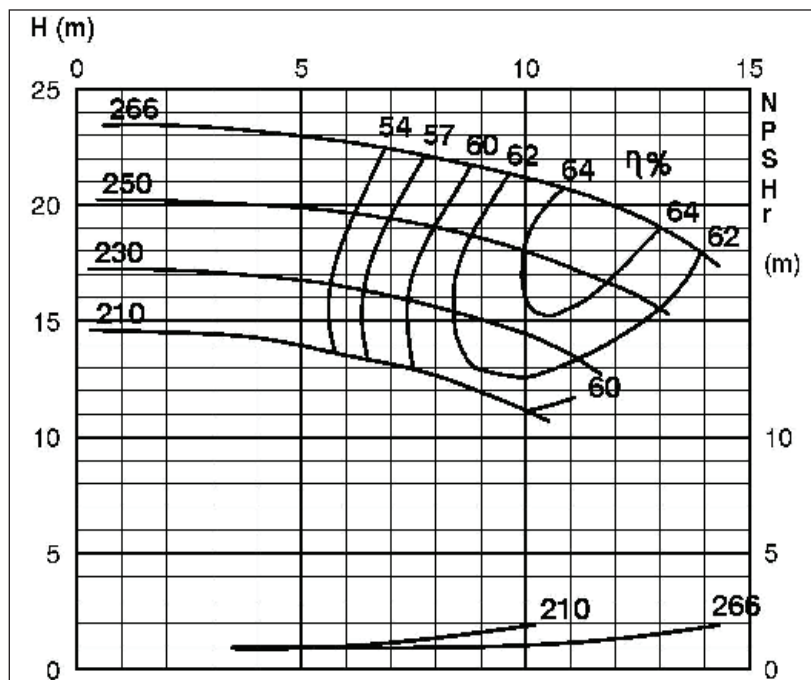


TECHNICAL SPECIFICATIONS

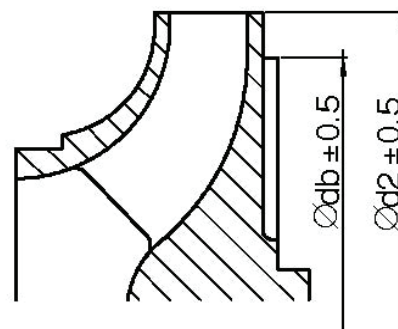
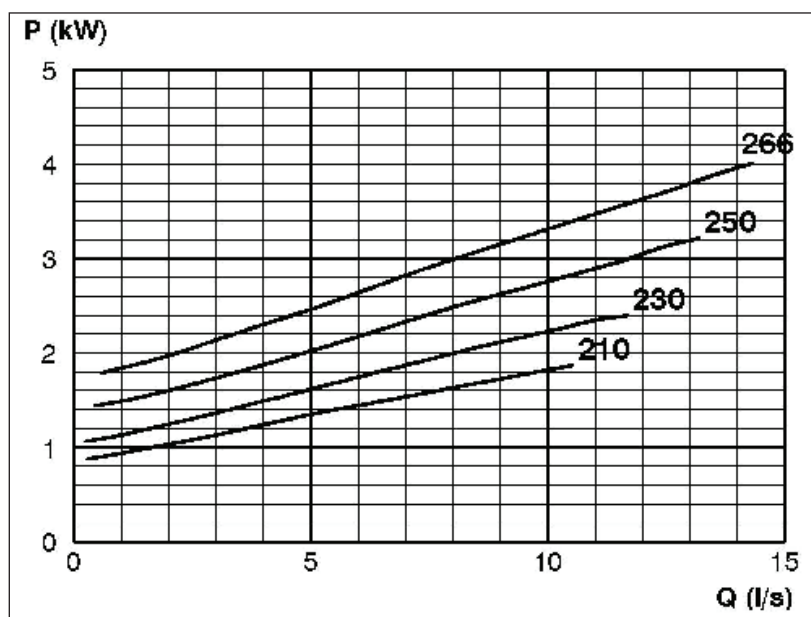
Retroc-Fit Pumps ISP Process Pumps - ISP50-250 ISP Impeller 283907 Closed B8 Z5

Performance Curve - ISP50-250-1440

1440 rpm



| Impeller Dia | |
|--------------------|--------------------|
| $\text{Ø}d_2$ (mm) | $\text{Ø}d_b$ (mm) |
| 266 | 194 |
| 260 | 190 |
| 255 | 187 |
| 250 | 184 |
| 245 | 182 |
| 240 | 179 |
| 235 | 177 |
| 230 | 175 |
| 225 | 174 |
| 220 | 172 |
| 215 | 170 |
| 210 | 168 |

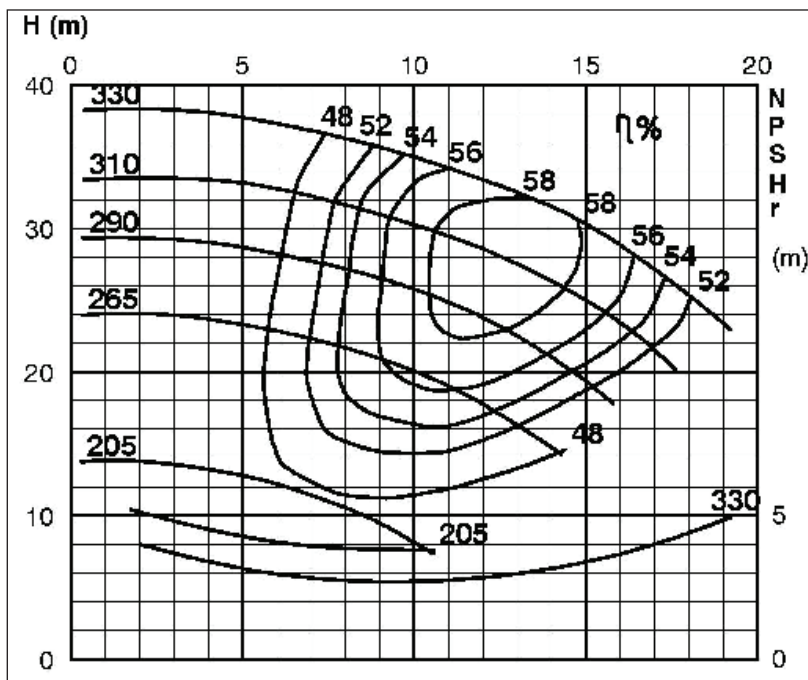


TECHNICAL SPECIFICATIONS

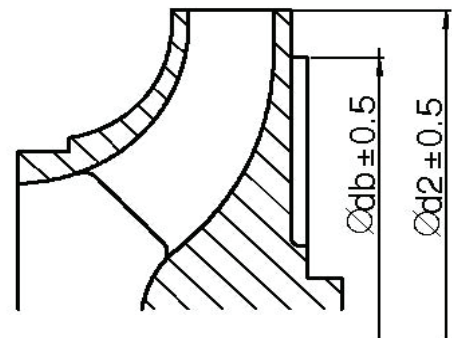
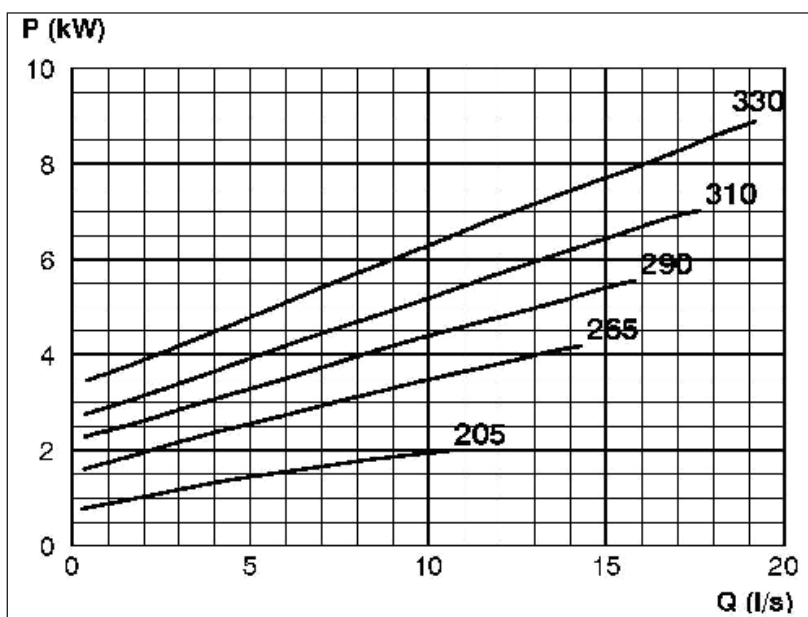
Retroc-Fit Pumps
ISP Process Pumps - ISP50-315
ISP Impeller 287017 Closed B6.5 Z5

Performance Curve - ISP50-315-1450

1450 rpm



| Impeller Dia | |
|----------------------|----------------------|
| Ød ₂ (mm) | Ød _b (mm) |
| 330 | 220 |
| 325 | 215 |
| 320 | 211 |
| 315 | 207 |
| 310 | 203 |
| 305 | 201 |
| 300 | 199 |
| 295 | 197 |
| 290 | 195 |
| 285 | 194 |
| 280 | 192 |
| 275 | 190 |
| 270 | 188 |
| 265 | 186 |
| 260 | 184 |
| 255 | 182 |
| 250 | 180 |
| 245 | 178 |
| 240 | 176 |
| 235 | 174 |
| 230 | 172 |
| 225 | 169 |
| 220 | 167 |
| 215 | 165 |
| 210 | 163 |
| 205 | 160 |



Retroc-Fit

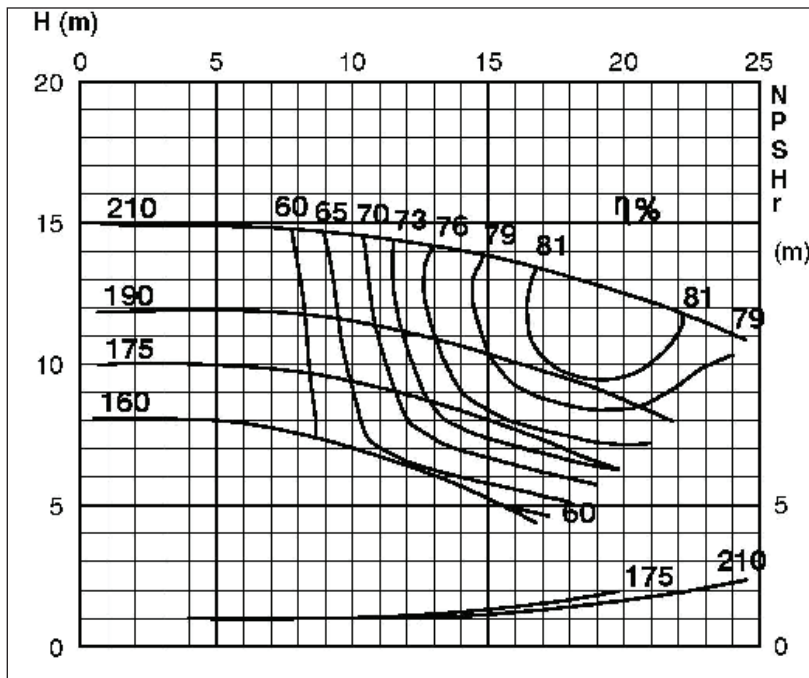
Pumps

TECHNICAL SPECIFICATIONS

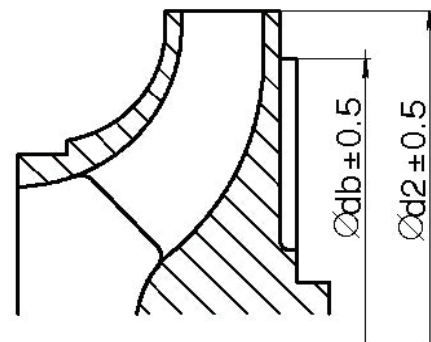
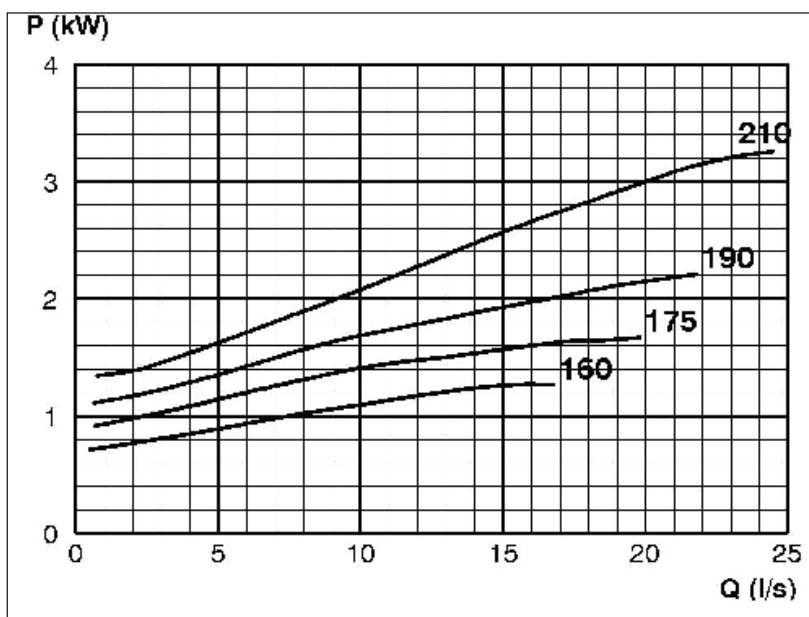
Retroc-Fit Pumps
ISP Process Pumps - ISP65-200
ISP Impeller 283905 Closed B16 Z6

Performance Curve - ISP65-200-1440

1440 rpm



| Impeller Dia | |
|------------------------|------------------------|
| $\varnothing d_2$ (mm) | $\varnothing d_b$ (mm) |
| 210 | 193 |
| 205 | 190 |
| 200 | 186 |
| 195 | 183 |
| 190 | 180 |
| 185 | 178 |
| 180 | 175 |
| 175 | 173 |
| 170 | 170 |
| 165 | 167 |
| 160 | 163 |

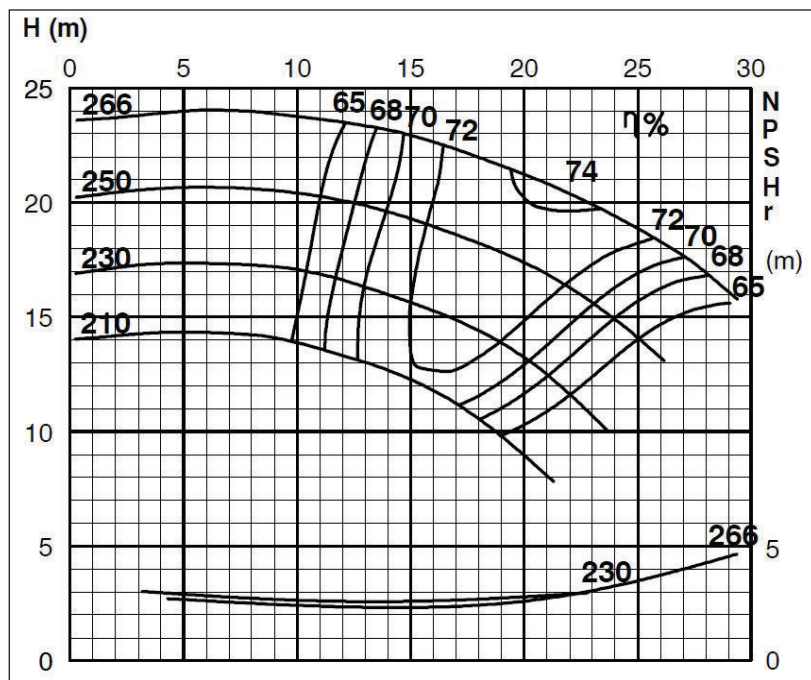


MTP127

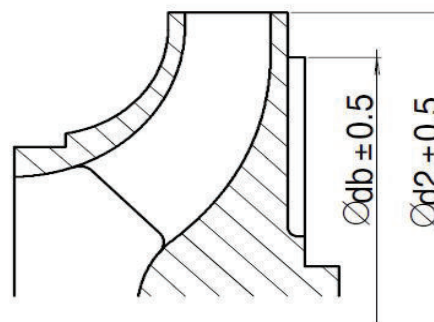
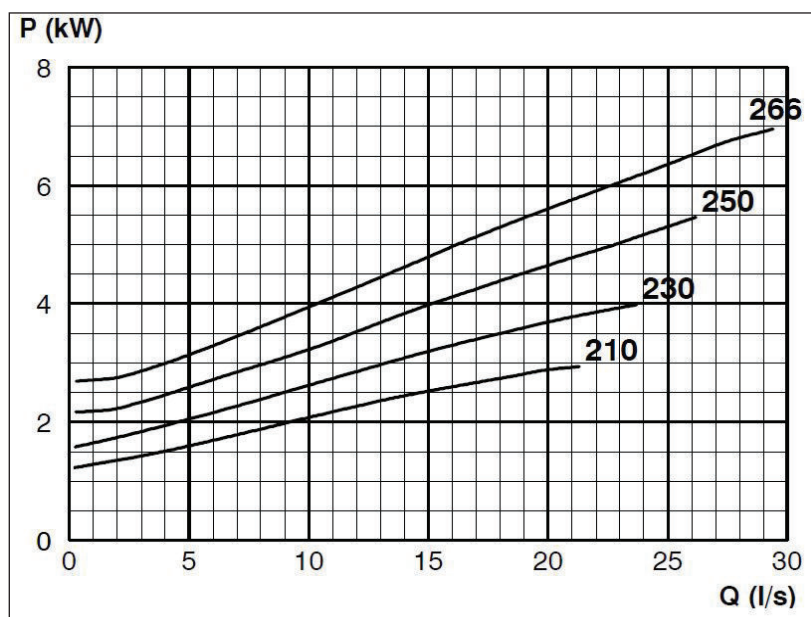
TECHNICAL SPECIFICATIONS

Performance Curve - ISP65-250-1450

1450 rpm



| Impeller Dia | |
|----------------------|----------------------|
| Ød ₂ (mm) | Ød _b (mm) |
| 266 | 215 |
| 260 | 210 |
| 255 | 207 |
| 250 | 204 |
| 245 | 201 |
| 240 | 198 |
| 235 | 197 |
| 230 | 195 |
| 225 | 193 |
| 220 | 190 |
| 215 | 188 |
| 210 | 186 |

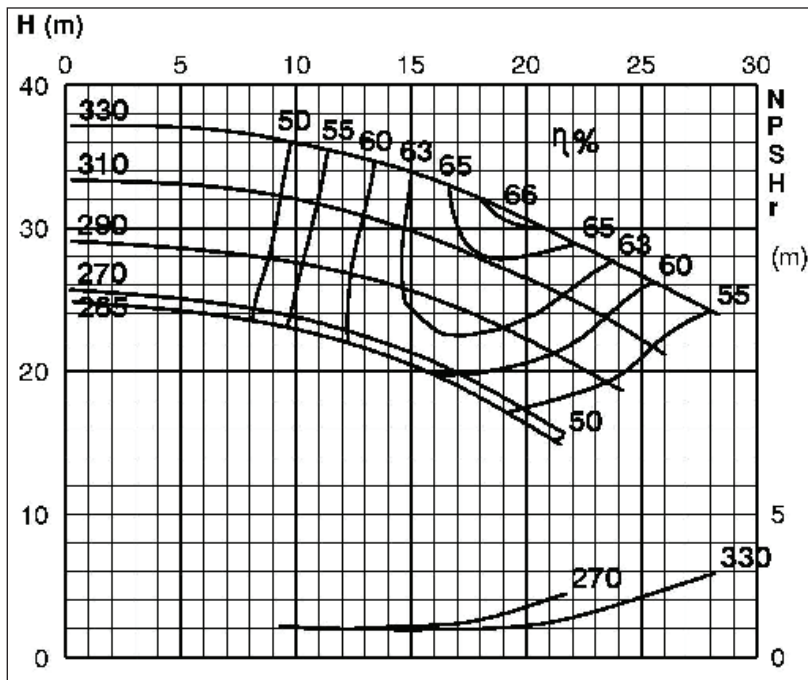


TECHNICAL SPECIFICATIONS

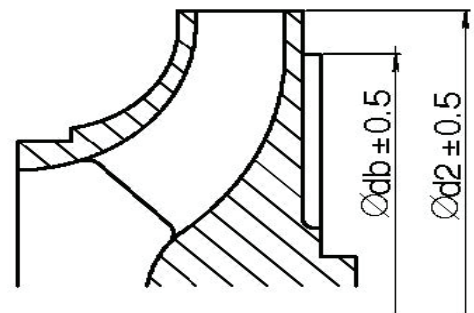
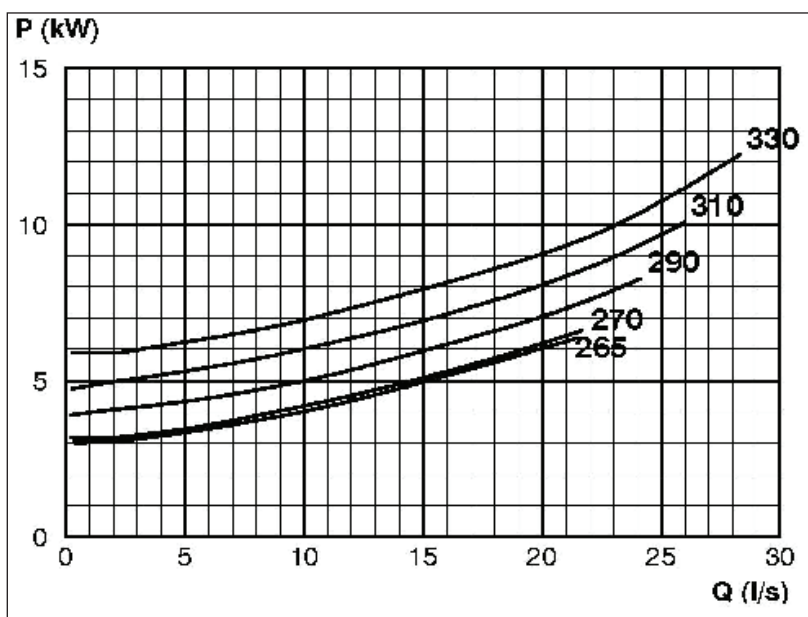
Retroc-Fit Pumps
ISP Process Pumps - ISP65-315
ISP Impeller 283913 Closed B9 Z5

Performance Curve - ISP65-315-1450

1450 rpm



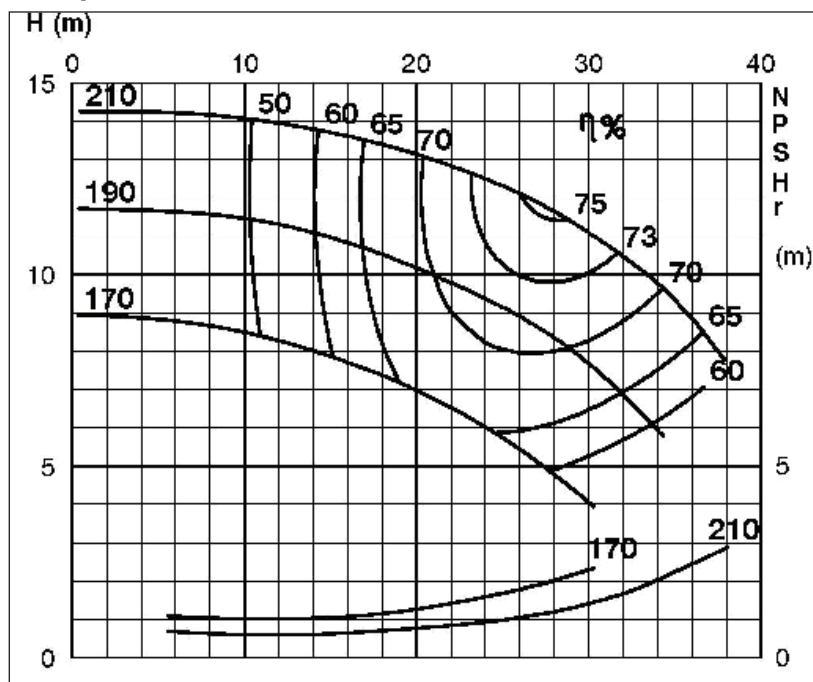
| Impeller Dia | |
|----------------------|----------------------|
| Ød ₂ (mm) | Ød _b (mm) |
| 330 | 240 |
| 325 | 235 |
| 320 | 230 |
| 315 | 226 |
| 310 | 222 |
| 305 | 220 |
| 300 | 218 |
| 295 | 216 |
| 290 | 214 |
| 285 | 213 |
| 280 | 211 |
| 275 | 209 |
| 270 | 207 |
| 265 | 205 |



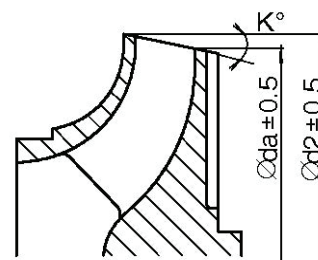
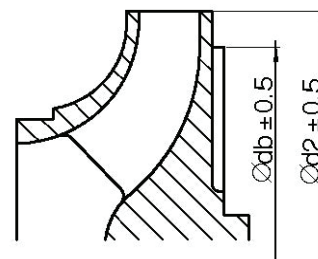
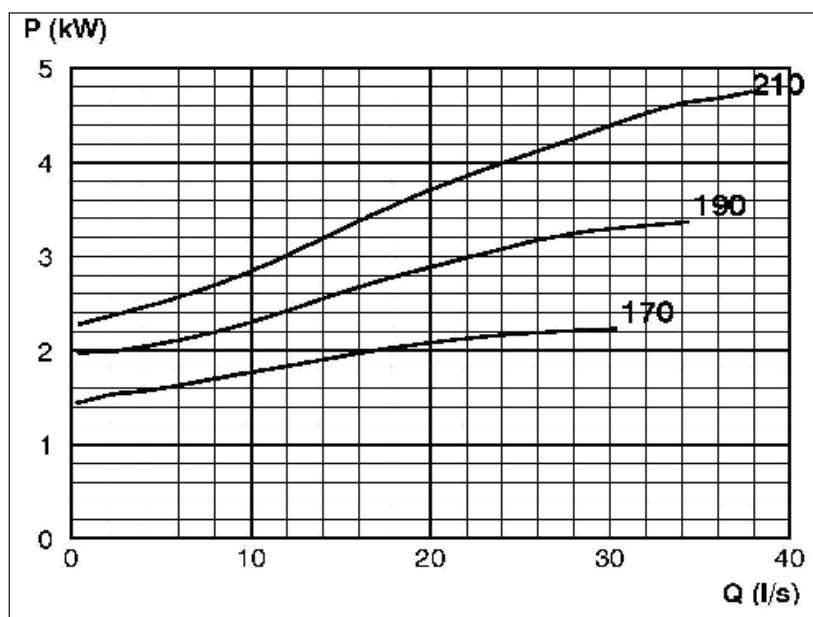
TECHNICAL SPECIFICATIONS

Performance Curve - ISP80-200-1440

1440 rpm



| Impeller Dia | | | |
|----------------------|----|----------------------|----------------------|
| Ød ₂ (mm) | K° | Ød _a (mm) | Ød _b (mm) |
| 210 | | | 207 |
| 205 | | | 203 |
| 200 | | | 198 |
| 195 | | | 194 |
| 190 | | | |
| 185 | | | |
| 180 | | | |
| 175 | | | |
| 173 | 4 | 169.5 | |
| 170 | 10 | 160.5 | |

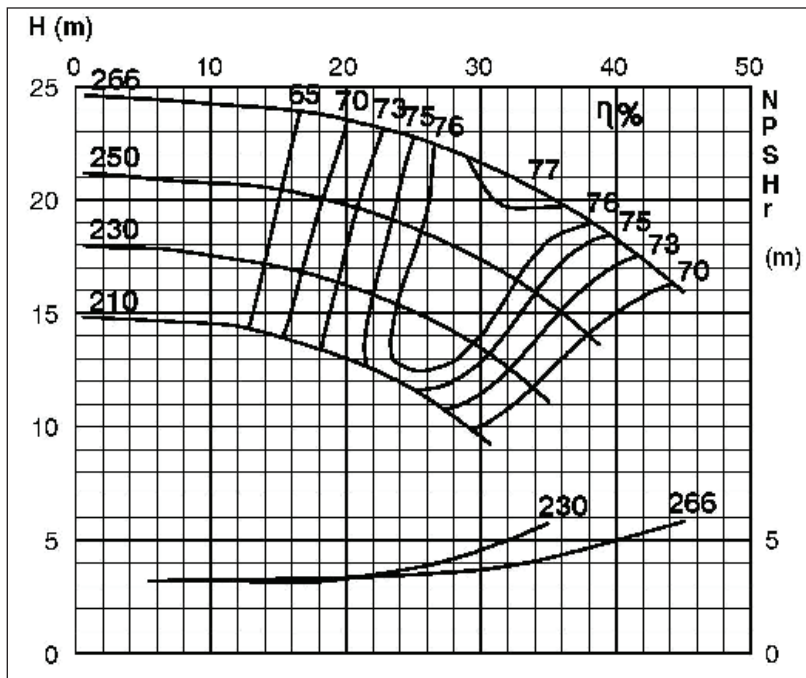


TECHNICAL SPECIFICATIONS

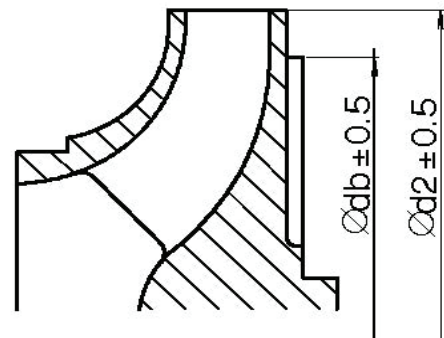
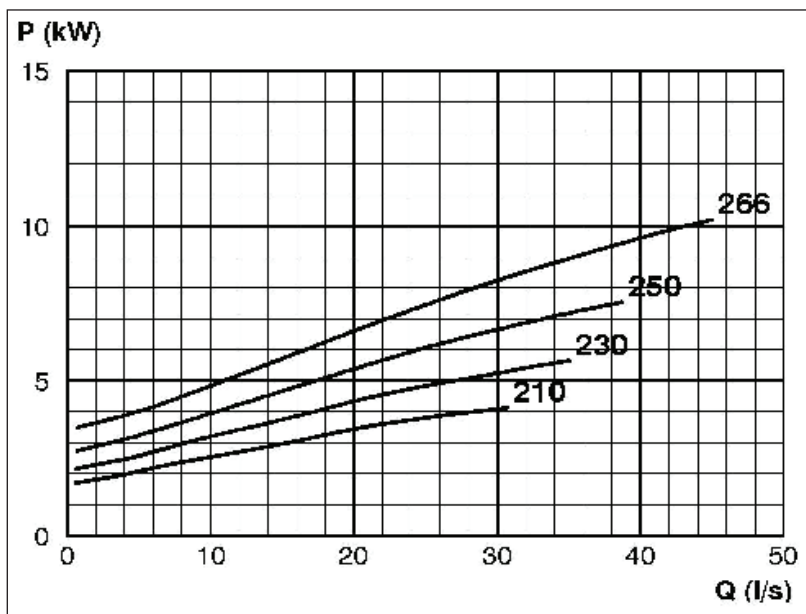
Retroc-Fit Pumps
ISP Process Pumps - ISP80-250
ISP Impeller 283909 Closed B18 Z6

Performance Curve - ISP80-250-1450

1450 rpm



| Impeller Dia | |
|----------------------|----------------------|
| Ød ₂ (mm) | Ød _b (mm) |
| 266 | 238 |
| 260 | 230 |
| 255 | 227 |
| 250 | 223 |
| 245 | 220 |
| 240 | 216 |
| 235 | 214 |
| 230 | 211 |
| 225 | 209 |
| 220 | 206 |
| 215 | 204 |
| 210 | 201 |



Retroc-Fit

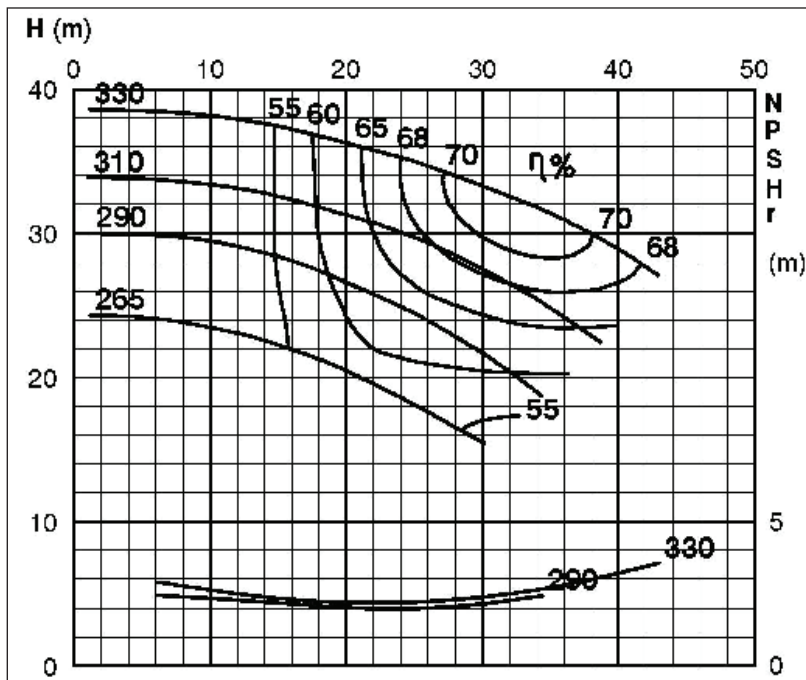
Pumps

TECHNICAL SPECIFICATIONS

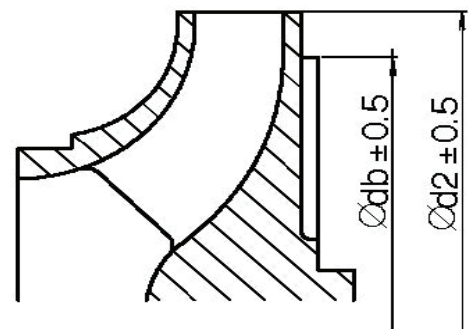
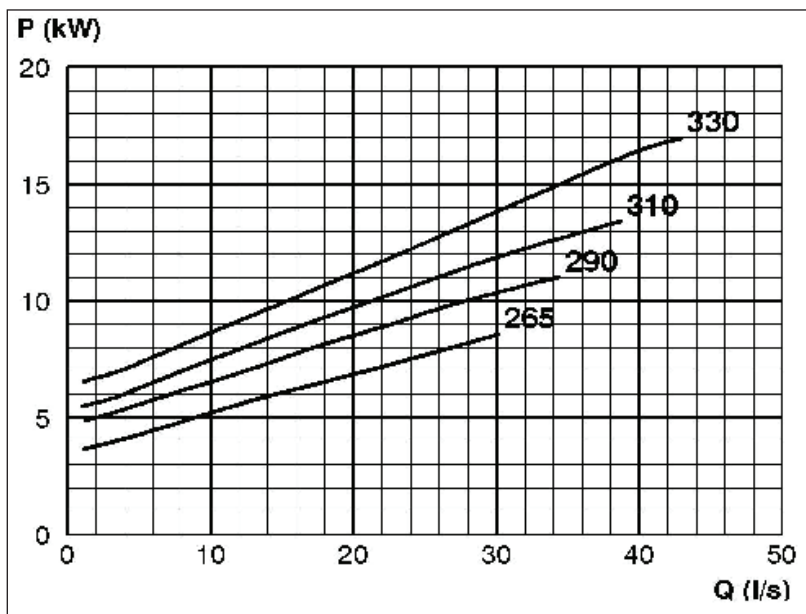
Retroc-Fit Pumps
ISP Process Pumps - ISP80-315
ISP Impeller 283914 Closed B13 Z5

Performance Curve - ISP80-315-1470

1470 rpm



| Impeller Dia | |
|----------------------|----------------------|
| Ød ₂ (mm) | Ød _b (mm) |
| 330 | 260 |
| 325 | 256 |
| 320 | 251 |
| 315 | 248 |
| 310 | 245 |
| 305 | 242 |
| 300 | 239 |
| 295 | 237 |
| 290 | 234 |
| 285 | 232 |
| 280 | 230 |
| 275 | 228 |
| 270 | 226 |
| 265 | 224 |

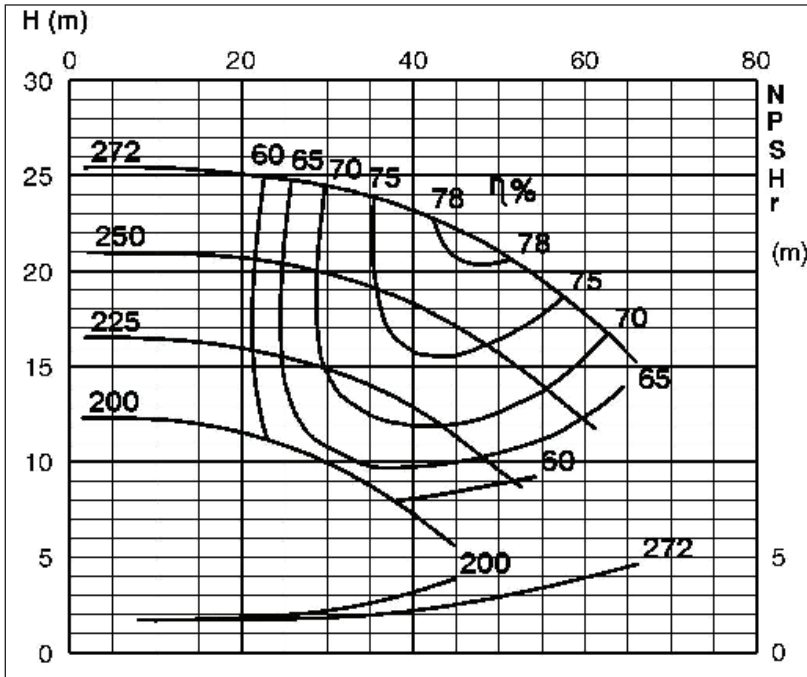


MTP127

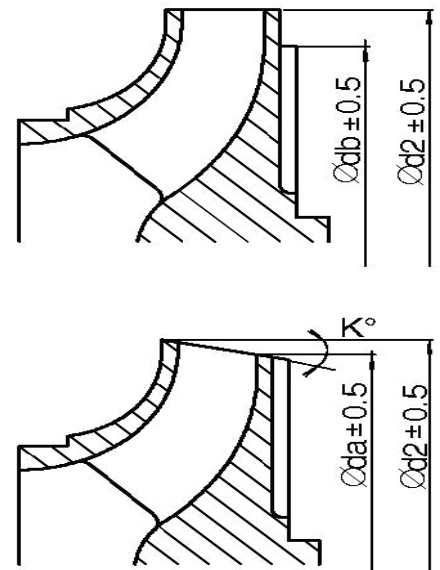
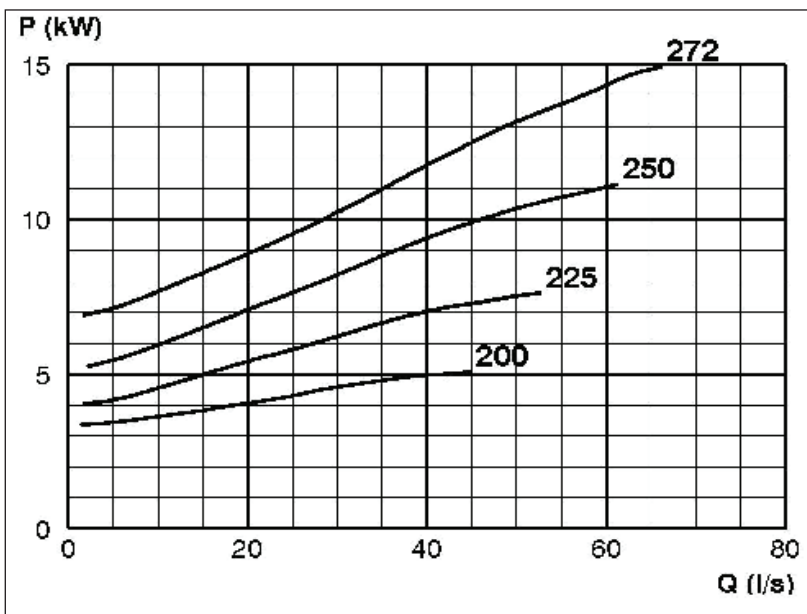
TECHNICAL SPECIFICATIONS

Performance Curve - ISP100-250-1460

1460 rpm



| Impeller Dia | | | |
|----------------------|----|----------------------|----------------------|
| Ød ₂ (mm) | K° | Ød _a (mm) | Ød _b (mm) |
| 272 | | | 252 |
| 265 | | | 248 |
| 260 | | | 242 |
| 255 | | | 240 |
| 250 | | | 237 |
| 245 | | | 235 |
| 240 | | | 232 |
| 235 | | | 230 |
| 230 | 4 | 226.3 | |
| 225 | 4 | 221.2 | |
| 220 | 6 | 214.3 | |
| 215 | 6 | 209.2 | |
| 210 | 8 | 202.1 | |
| 205 | 9 | 195.0 | |
| 200 | 10 | 189.0 | |



Retroc-Fit

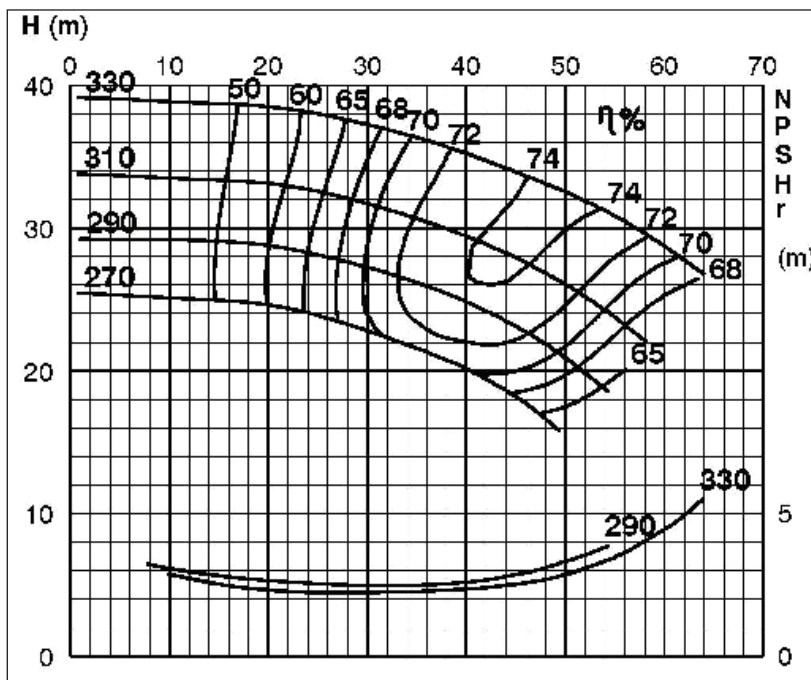
Pumps

TECHNICAL SPECIFICATIONS

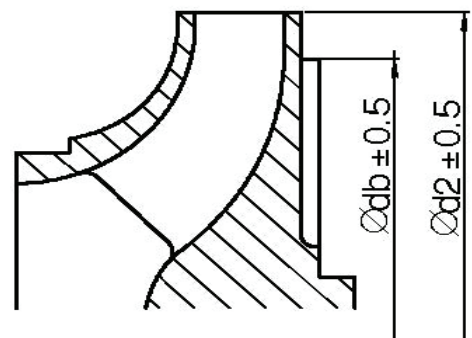
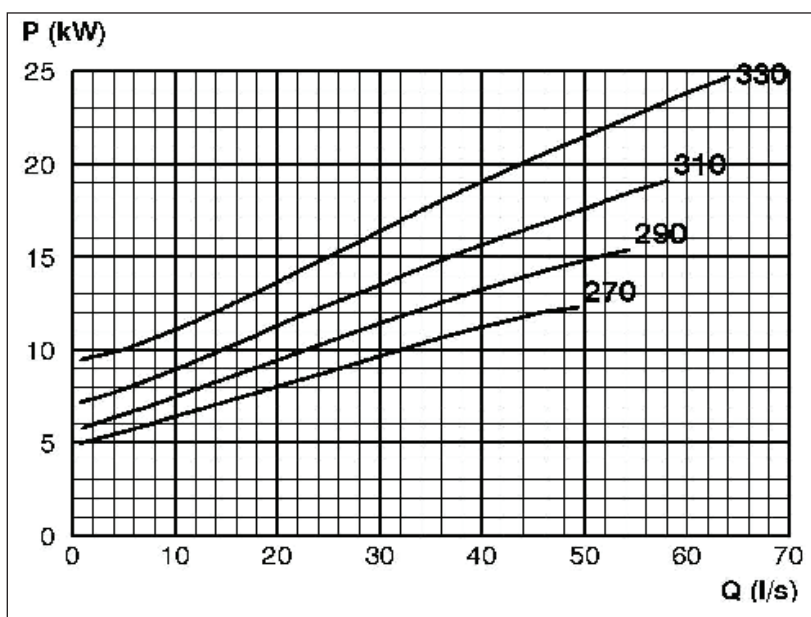
Retroc-Fit Pumps
ISP Process Pumps - ISP100-315
ISP Impeller 283915 Closed B18 Z6

Performance Curve - ISP100-315-1470

1470 rpm



| Impeller Dia | |
|----------------------|----------------------|
| Ød ₂ (mm) | Ød _b (mm) |
| 330 | 278 |
| 325 | 274 |
| 320 | 270 |
| 315 | 268 |
| 310 | 265 |
| 305 | 262 |
| 300 | 259 |
| 295 | 257 |
| 290 | 255 |
| 285 | 252 |
| 280 | 249 |
| 275 | 247 |
| 270 | 244 |



MTP127

Retroc-Fit

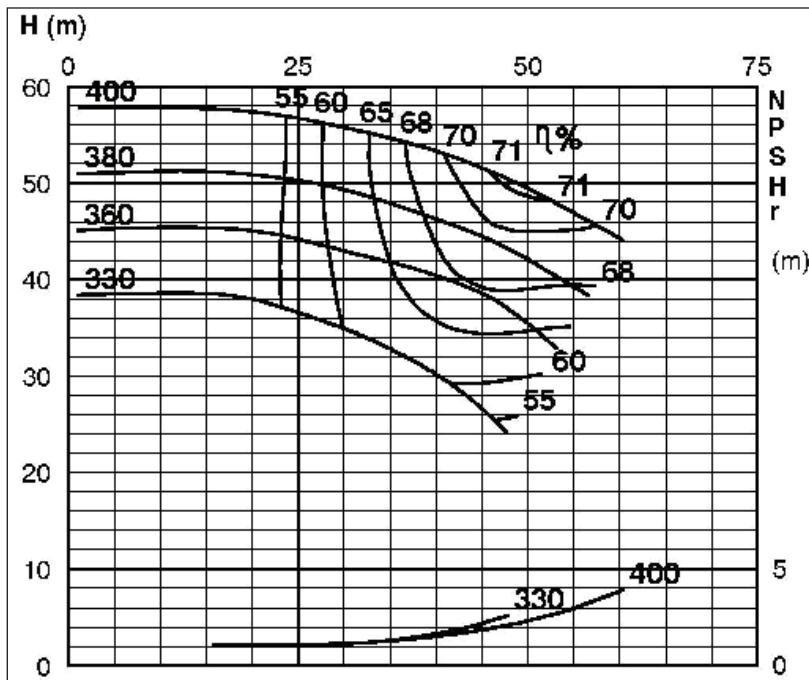
Pumps

TECHNICAL SPECIFICATIONS

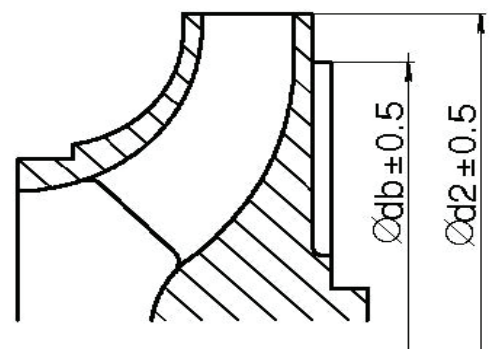
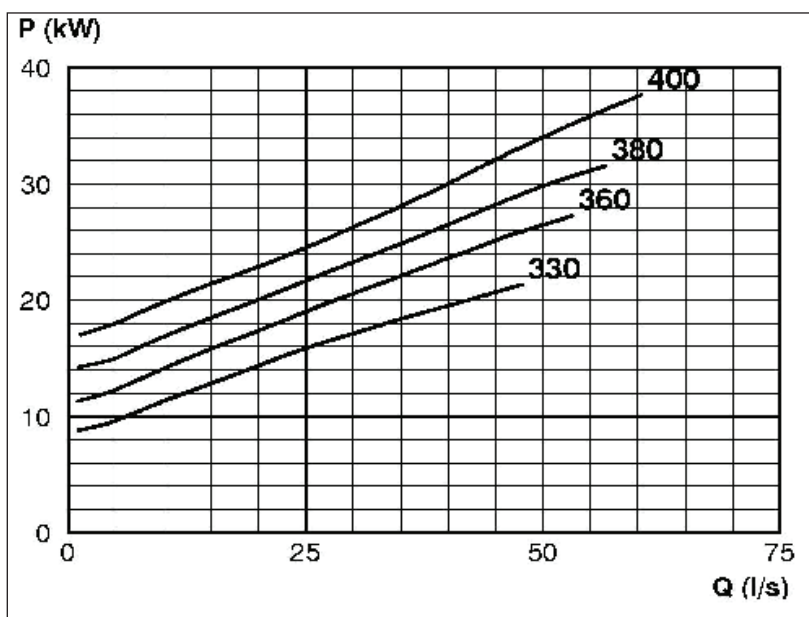
Retroc-Fit Pumps
ISP Process Pumps - ISP100-400
ISP Impeller 283917 Closed B13 Z5

Performance Curve - ISP100-400-1470

1470 rpm



| Impeller Dia | |
|----------------------|----------------------|
| Ød ₂ (mm) | Ød _b (mm) |
| 400 | 303 |
| 395 | 299 |
| 390 | 295 |
| 385 | 292 |
| 380 | 289 |
| 375 | 287 |
| 370 | 284 |
| 365 | 282 |
| 360 | 279 |
| 355 | 277 |
| 350 | 275 |
| 345 | 273 |
| 340 | 270 |
| 335 | 269 |
| 330 | 267 |



MTP127

Retro-Fit

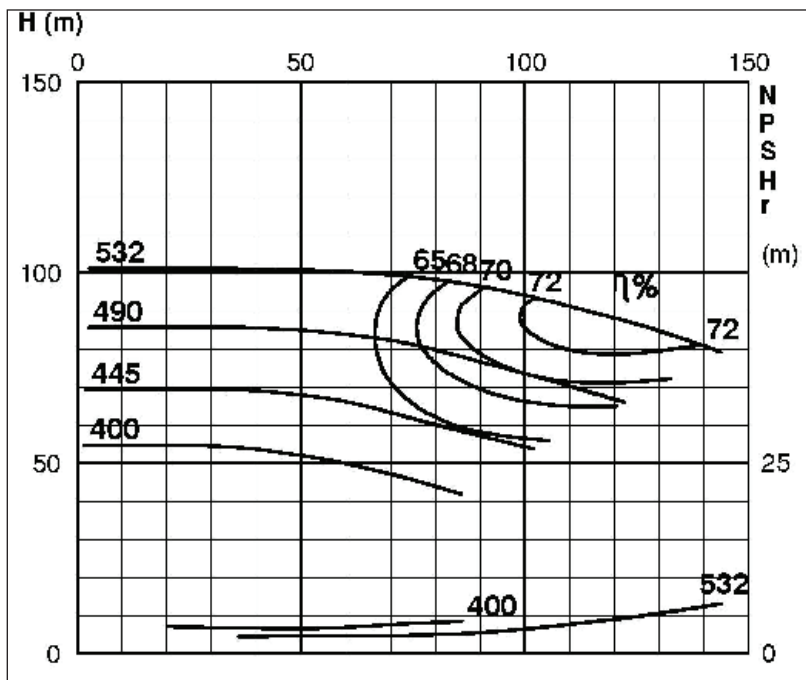
Pumps

TECHNICAL SPECIFICATIONS

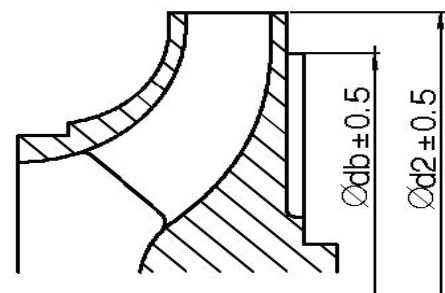
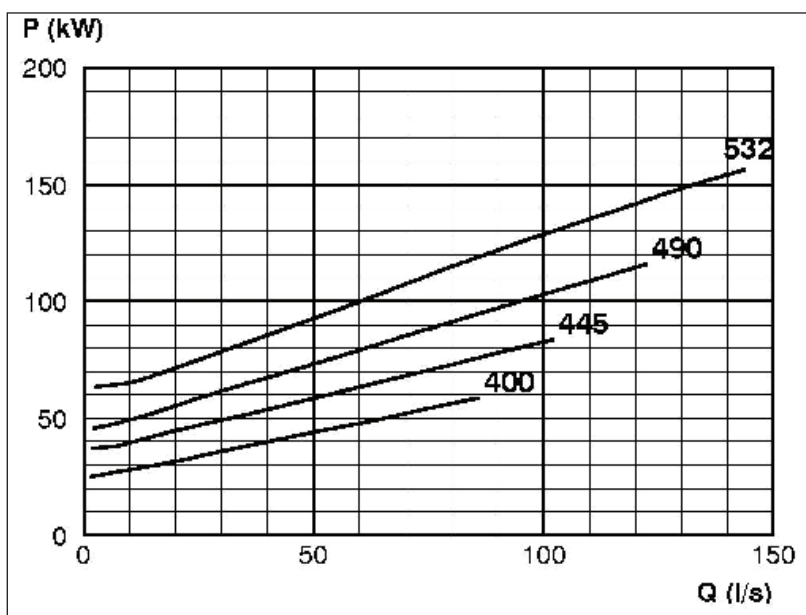
Retro-Fit Pumps
ISP Process Pumps - ISP100-500
ISP Impeller 285943 Closed B17.5 Z5

Performance Curve - ISP100-500-1480

1480 rpm



| Impeller Dia | |
|--------------------|--------------------|
| $\text{Ø}d_2$ (mm) | $\text{Ø}d_b$ (mm) |
| 532 | 371 |
| 525 | 367 |
| 520 | 365 |
| 515 | 362 |
| 510 | 360 |
| 505 | 357 |
| 500 | 355 |
| 495 | 352 |
| 490 | 350 |
| 485 | 347 |
| 480 | 345 |
| 475 | 342 |
| 470 | 340 |
| 465 | 338 |
| 460 | 336 |
| 455 | 334 |
| 450 | 332 |
| 445 | 330 |
| 440 | 328 |
| 435 | 327 |
| 430 | 326 |
| 425 | 325 |
| 420 | 324 |
| 415 | 323 |
| 410 | 322 |
| 405 | 321 |
| 400 | 320 |



MTP127

Retroc-Fit

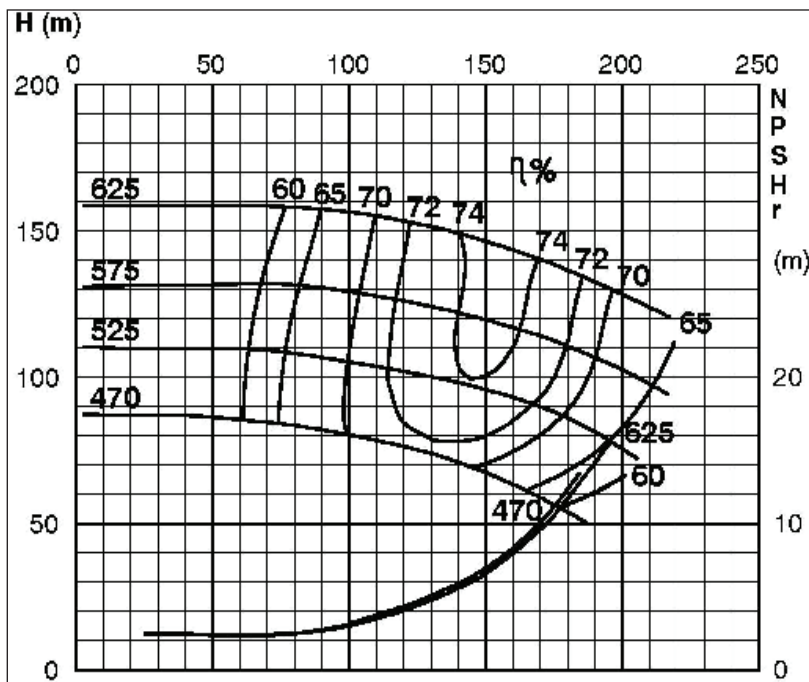
Pumps

TECHNICAL SPECIFICATIONS

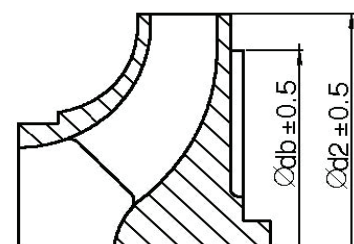
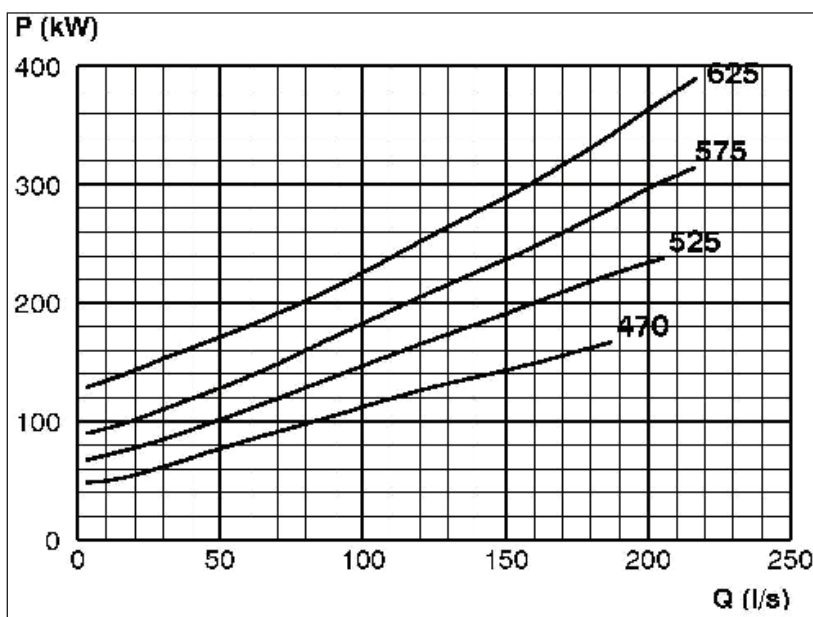
Retroc-Fit Pumps
ISP Process Pumps - ISP100-600
ISP Impeller 288288 Closed B30 Z5

Performance Curve - ISP100-600-1480

1480 rpm



| Impeller Dia | |
|------------------------|------------------------|
| $\varnothing d_2$ (mm) | $\varnothing d_b$ (mm) |
| 625 | 420 |
| 620 | 417 |
| 615 | 415 |
| 610 | 412 |
| 605 | 410 |
| 600 | 407 |
| 595 | 405 |
| 590 | 402 |
| 585 | 400 |
| 580 | 397 |
| 575 | 395 |
| 570 | 392 |
| 565 | 390 |
| 560 | 387 |
| 555 | 385 |
| 550 | 382 |
| 545 | 380 |
| 540 | 377 |
| 535 | 373 |
| 530 | 370 |
| 525 | 367 |
| 520 | 365 |
| 515 | 362 |
| 510 | 360 |
| 505 | 357 |
| 500 | 355 |
| 495 | 352 |
| 490 | 350 |
| 485 | 347 |
| 480 | 345 |
| 475 | 342 |
| 470 | 340 |



MTP127

Retro-Fit

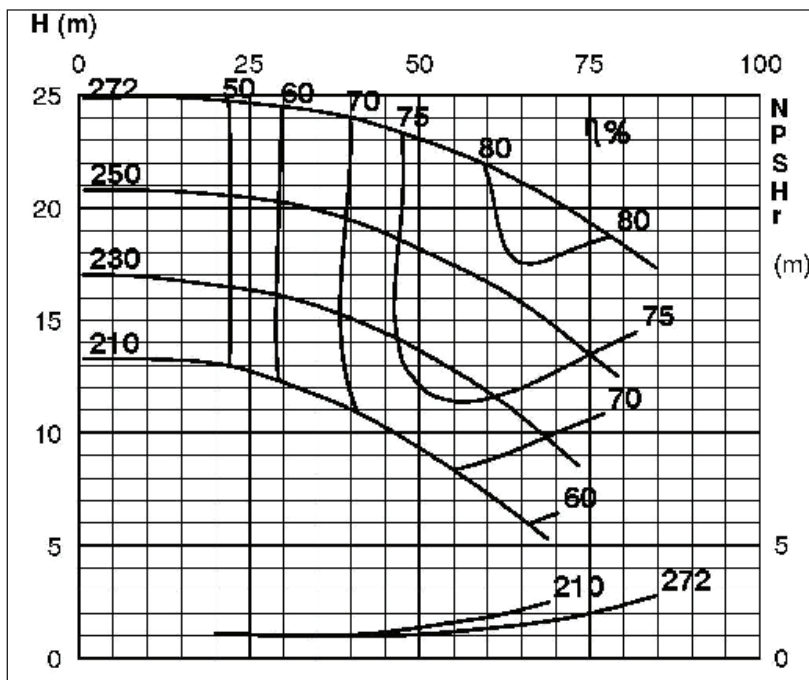
Pumps

TECHNICAL SPECIFICATIONS

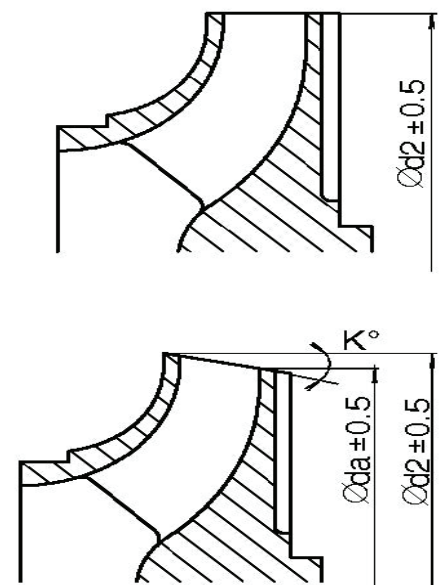
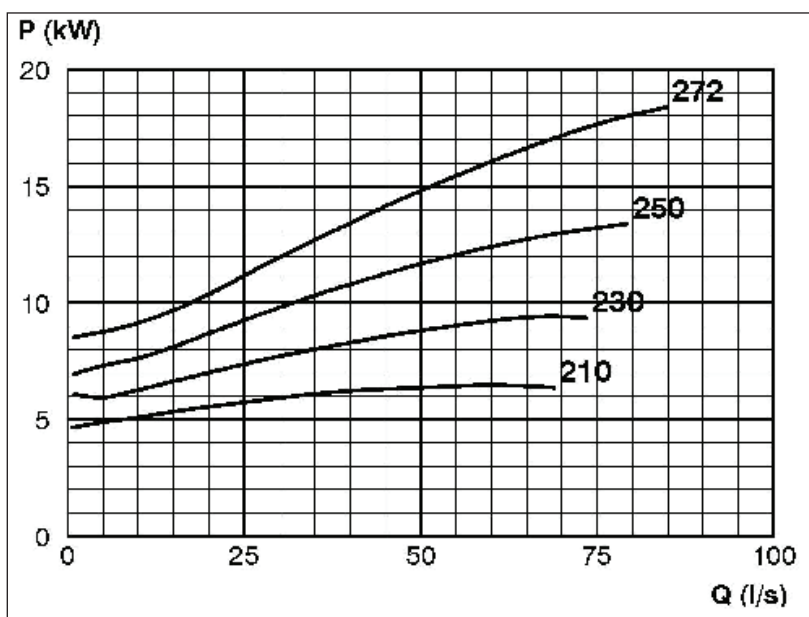
Retro-Fit Pumps
ISP Process Pumps - ISP125-250
ISP Impeller 283911 Closed B32 Z6

Performance Curve - ISP125-250-1470

1470 rpm



| Impeller Dia | | |
|----------------------|----|----------------------|
| Ød ₂ (mm) | K° | Ød _a (mm) |
| 272 | | |
| 265 | | |
| 260 | | |
| 255 | | |
| 250 | | |
| 245 | 4 | 240.2 |
| 240 | 6 | 232.9 |
| 235 | 6 | 227.7 |
| 230 | 8 | 220.2 |
| 225 | 8 | 215.2 |
| 220 | 10 | 207.5 |
| 215 | 10 | 202.3 |
| 210 | 12 | 194.3 |



MTP127

Retroc-Fit

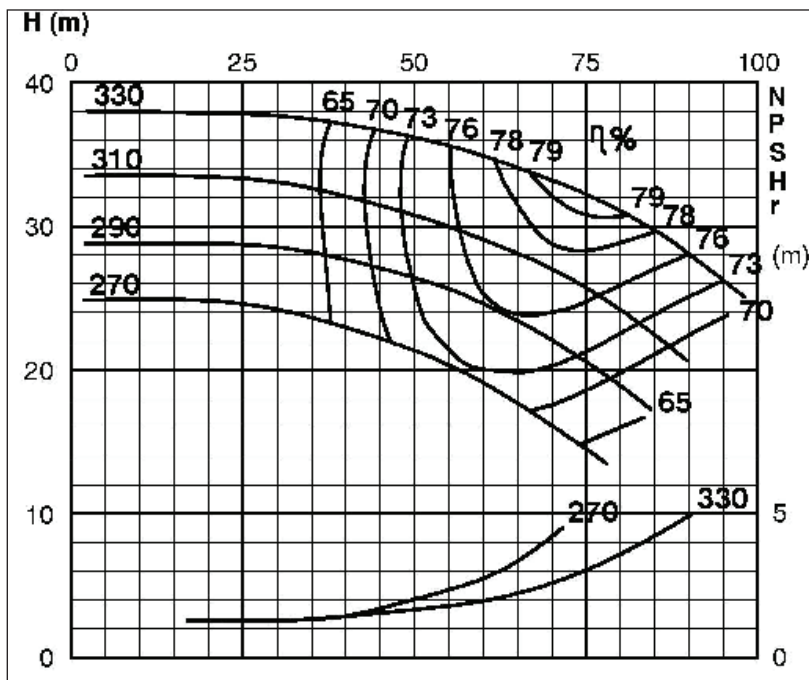
Pumps

TECHNICAL SPECIFICATIONS

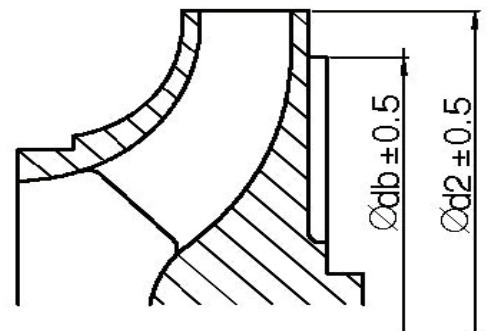
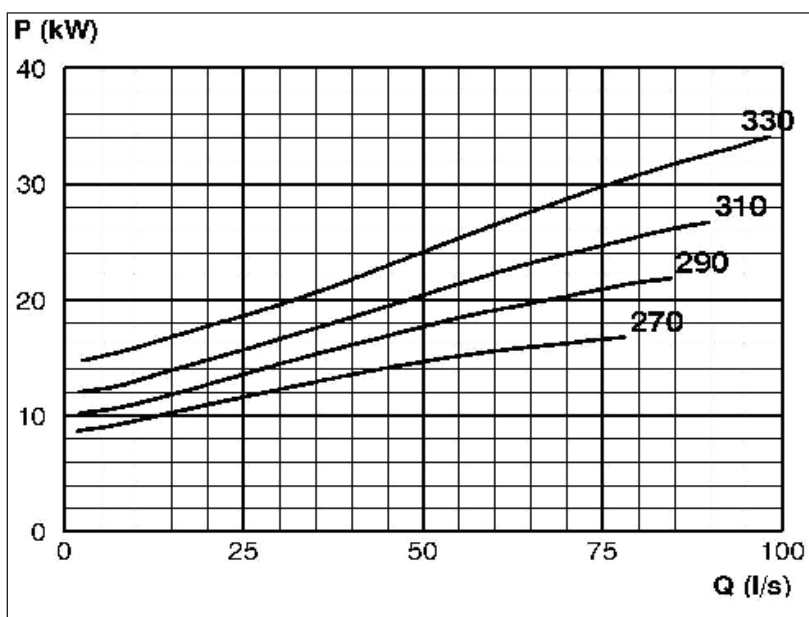
Retroc-Fit Pumps
ISP Process Pumps - ISP125-315
ISP Impeller 283916 Closed B26 Z6

Performance Curve - ISP125-315-1470

1470 rpm



| Impeller Dia | |
|----------------------|----------------------|
| Ød ₂ (mm) | Ød _b (mm) |
| 330 | 303 |
| 325 | 299 |
| 320 | 294 |
| 315 | 291 |
| 310 | 287 |
| 305 | 284 |
| 300 | 280 |
| 295 | 278 |
| 290 | 275 |
| 285 | 273 |
| 280 | 271 |
| 275 | 268 |
| 270 | 265 |



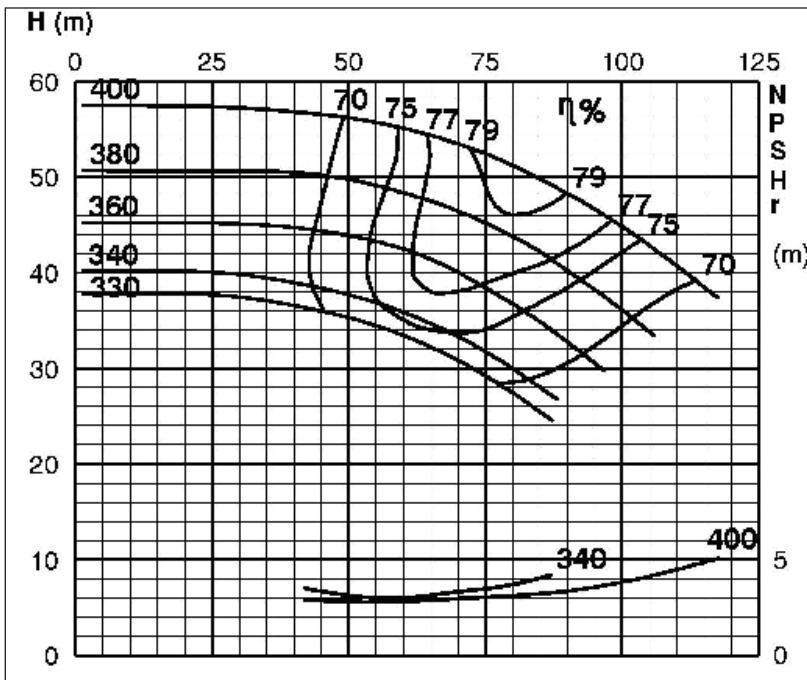
MTP127

TECHNICAL SPECIFICATIONS

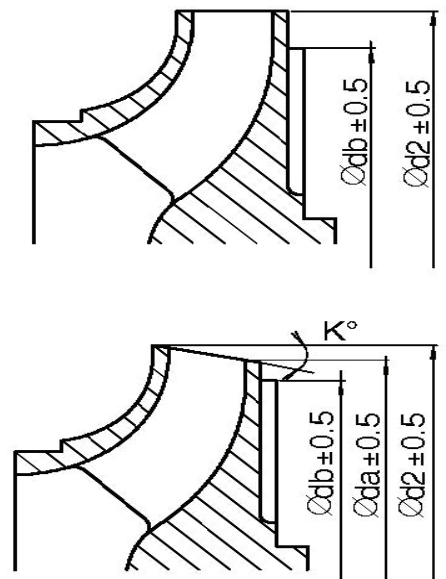
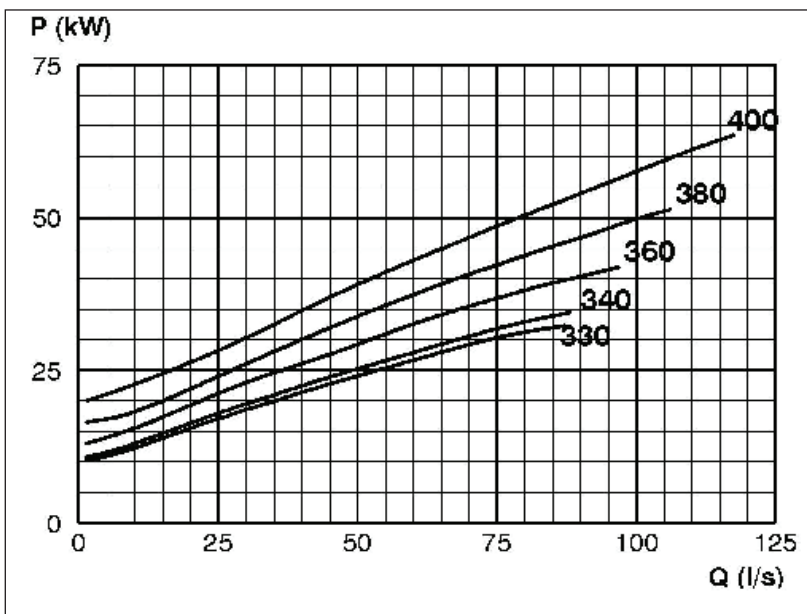
Retroc-Fit Pumps
ISP Process Pumps - ISP125-400
ISP Impeller 283918 Closed B22 Z6

Performance Curve - ISP125-400-1470

1470 rpm



| Impeller Dia | | | |
|----------------------|----|----------------------|----------------------|
| Ød ₂ (mm) | K° | Ød _a (mm) | Ød _b (mm) |
| 400 | | | 331 |
| 395 | | | 327 |
| 390 | | | 323 |
| 385 | | | 320 |
| 380 | 1 | 379 | 316 |
| 375 | 2 | 373 | 314 |
| 370 | 2 | 369 | 311 |
| 365 | 3 | 363 | 308 |
| 360 | 3 | 358 | 305 |
| 355 | 4 | 352 | 303 |
| 350 | 4 | 347 | 301 |
| 345 | 5 | 341 | 298 |
| 340 | 6 | 335 | 295 |
| 335 | 7 | 329 | 293 |
| 330 | 8 | 323 | 290 |

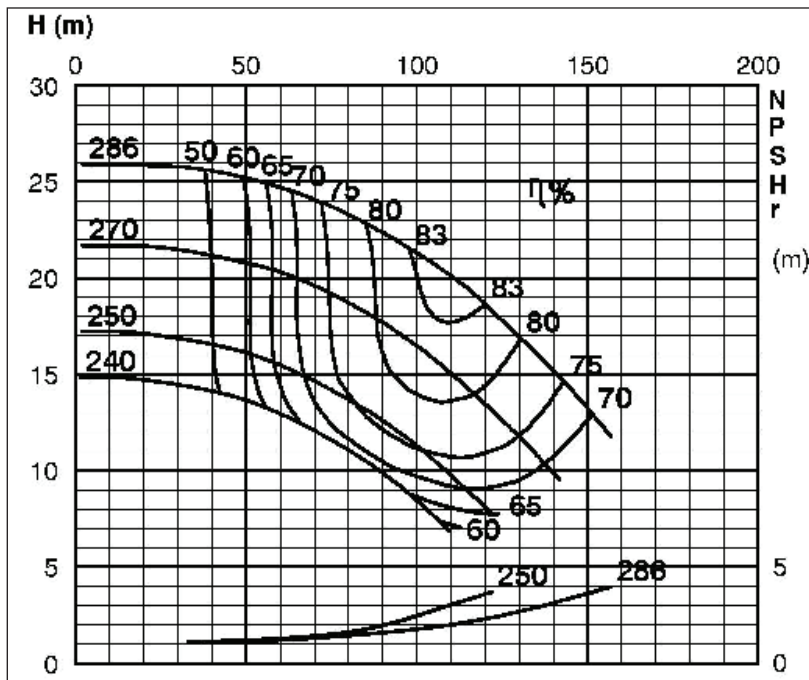


TECHNICAL SPECIFICATIONS

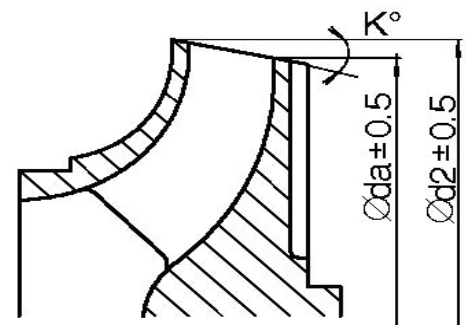
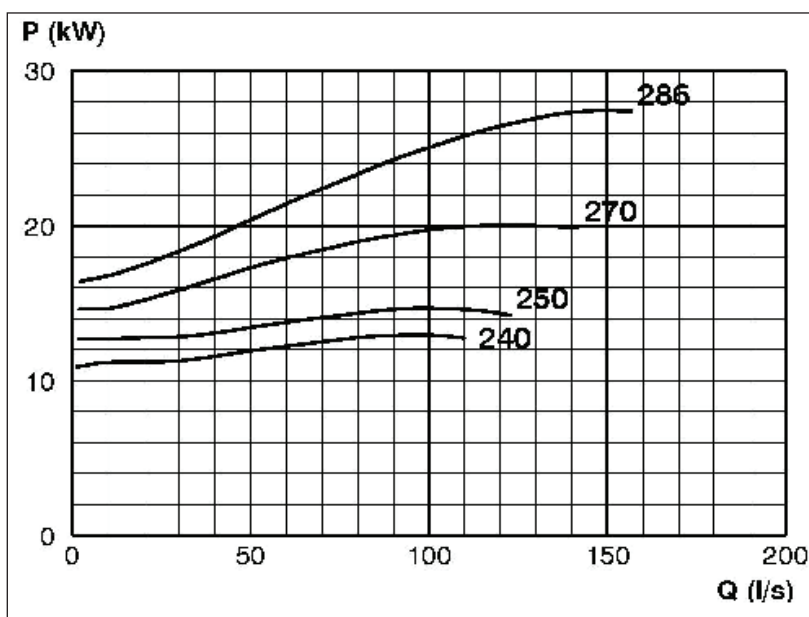
Retroc-Fit Pumps ISP Process Pumps - ISP150-250 ISP Impeller 283912 Closed B41 Z6

Performance Curve - ISP150-250-1470

1470 rpm



| Impeller Dia | | |
|----------------------|----|----------------------|
| Ød ₂ (mm) | K° | Ød _a (mm) |
| 286 | 6 | 277.4 |
| 280 | 8 | 268.5 |
| 275 | 10 | 260.2 |
| 270 | 12 | 252.2 |
| 265 | 13 | 245.6 |
| 260 | 14 | 238.8 |
| 255 | 16 | 230.4 |
| 250 | 18 | 221.4 |
| 245 | 19 | 214.0 |
| 240 | 20 | 206.0 |



RetroFit

Pumps

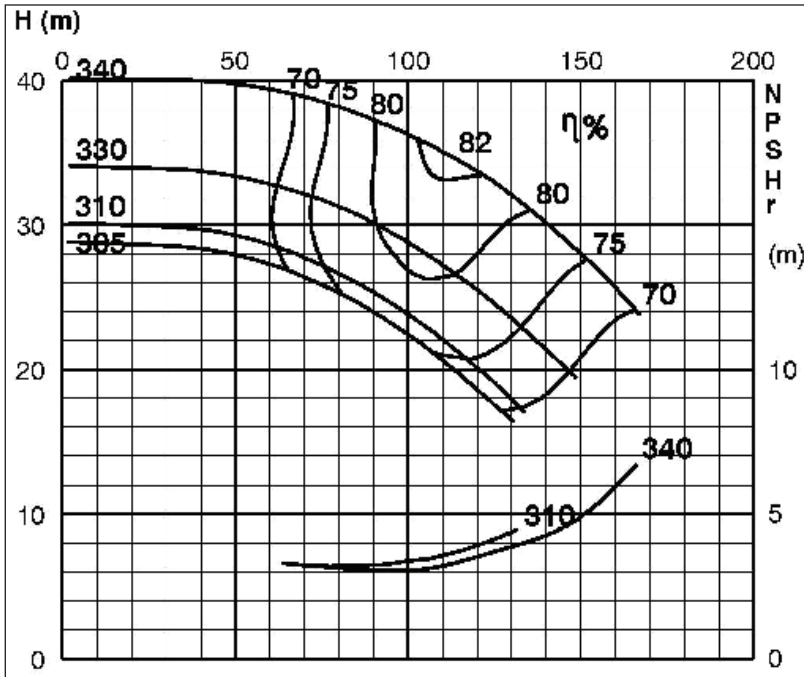
TECHNICAL SPECIFICATIONS

RetroFit
Pumps

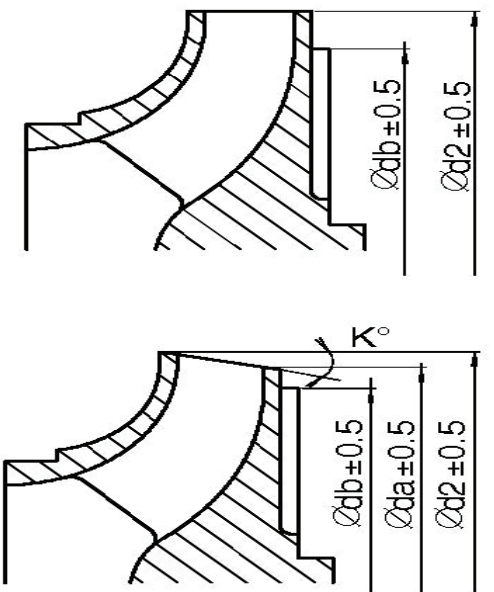
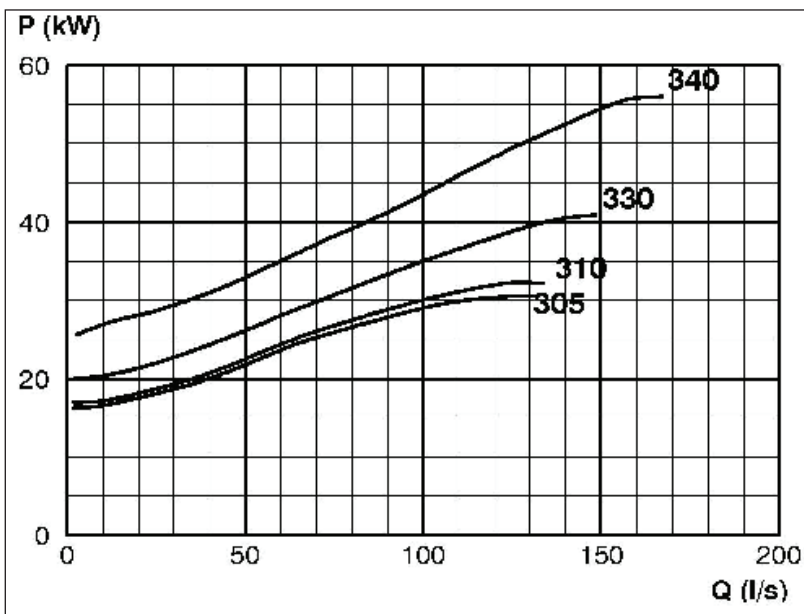
ISP Process Pumps - ISP150-315
ISP Impeller 283921 Closed B34 Z6

Performance Curve - ISP150-315-1470

1470 rpm



| Impeller Dia | | | |
|----------------------|----|----------------------|----------------------|
| Ød ₂ (mm) | K° | Ød _a (mm) | Ød _b (mm) |
| 340 | | | 326 |
| 339 | 7 | 329 | 326 |
| 336 | 11 | 319 | 312 |
| 335 | 17 | 314 | 307 |
| 330 | 17 | 309 | 302 |
| 325 | 17 | 304 | 297 |
| 320 | 17 | 299 | 292 |
| 315 | 17 | 293 | 287 |
| 310 | 17 | 288 | 282 |
| 305 | 18 | 282 | 275 |



MTP127

Exclusively Distributed by

www.mtp.com.au • sales@mtp.com.au • 1800 733 687

MALCOLM THOMPSON
PUMPS

Retroc-Fit

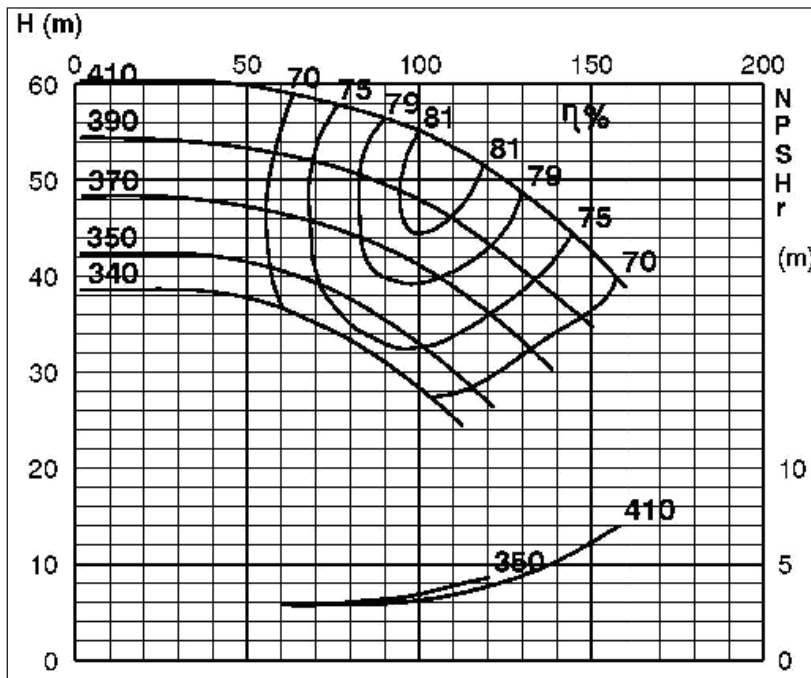
Pumps

TECHNICAL SPECIFICATIONS

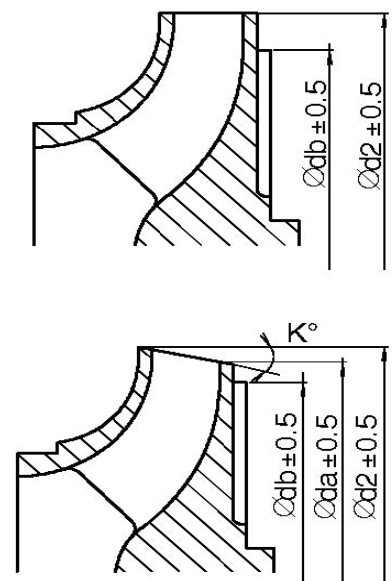
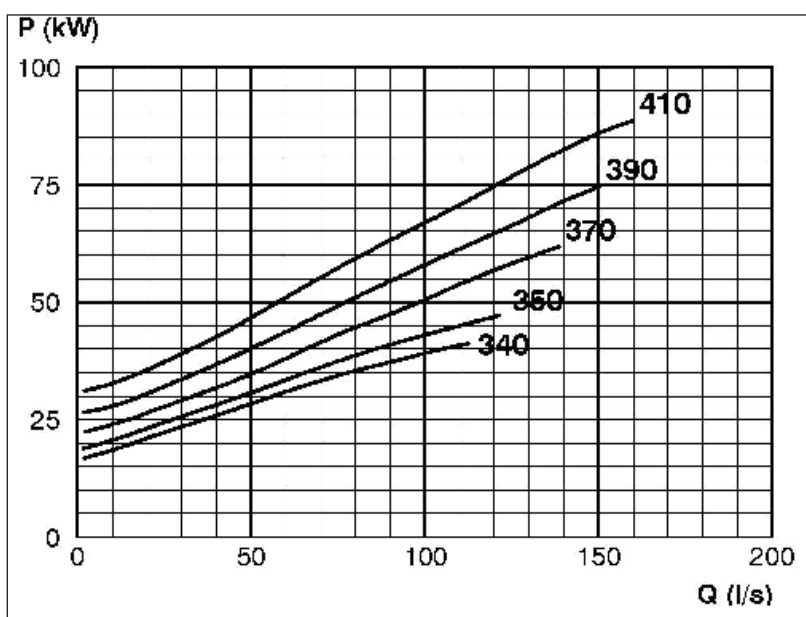
Retroc-Fit Pumps
ISP Process Pumps - ISP150-400
ISP Impeller 283925 Closed B26 Z6

Performance Curve - ISP150-400-1480

1480 rpm



| Impeller Dia | | | |
|--------------------|-----------|--------------------|--------------------|
| $\text{Ø}d_2$ (mm) | K° | $\text{Ø}d_a$ (mm) | $\text{Ø}d_b$ (mm) |
| 410 | | | 358 |
| 405 | | | 354 |
| 400 | | | 350 |
| 395 | | | 346 |
| 390 | | | 342 |
| 385 | | | 340 |
| 380 | 1 | 379 | 337 |
| 375 | 2 | 373 | 335 |
| 370 | 3 | 367 | 332 |
| 365 | 4 | 361 | 329 |
| 360 | 5 | 355 | 325 |
| 355 | 6 | 349 | 323 |
| 350 | 7 | 343 | 320 |
| 345 | 7 | 338 | 316 |
| 340 | 8 | 332 | 311 |



MTP127

Retroc-Fit

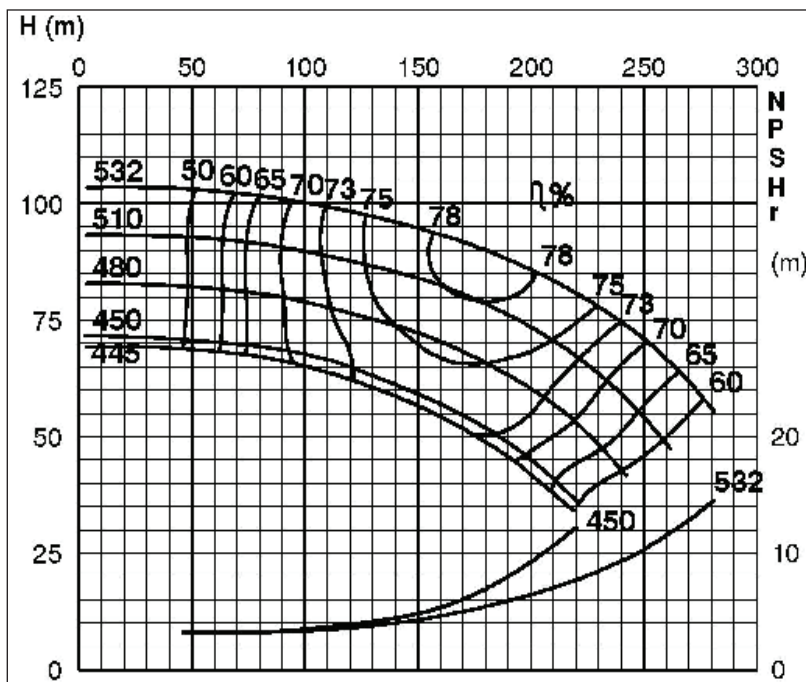
Pumps

TECHNICAL SPECIFICATIONS

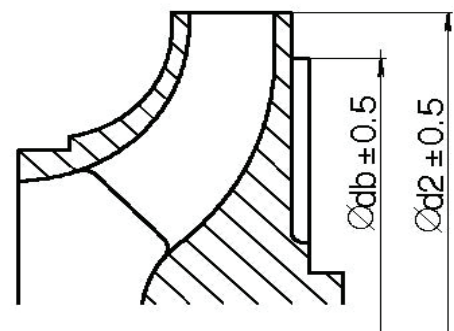
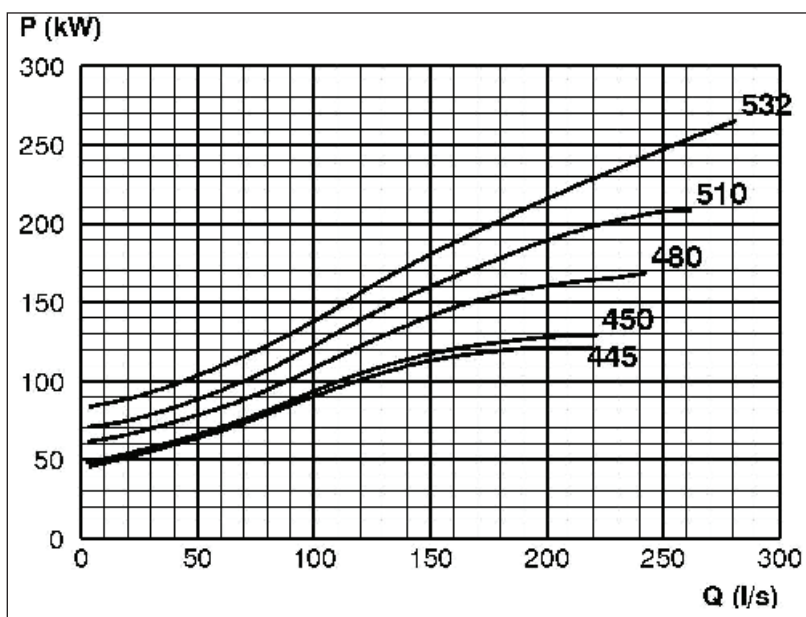
Retroc-Fit Pumps
ISP Process Pumps - ISP150-500
ISP Impeller 283931 Closed B30 Z6

Performance Curve - ISP150-500-1480

1480 rpm



| Impeller Dia | |
|--------------------|--------------------|
| Ød_2 (mm) | Ød_b (mm) |
| 532 | 459 |
| 525 | 455 |
| 520 | 451 |
| 515 | 447 |
| 510 | 443 |
| 505 | 441 |
| 500 | 438 |
| 495 | 435 |
| 490 | 432 |
| 485 | 430 |
| 480 | 428 |
| 475 | 426 |
| 470 | 424 |
| 465 | 422 |
| 460 | 419 |
| 455 | 417 |
| 450 | 414 |
| 445 | 411 |



MTP127

Retroc-Fit

Pumps

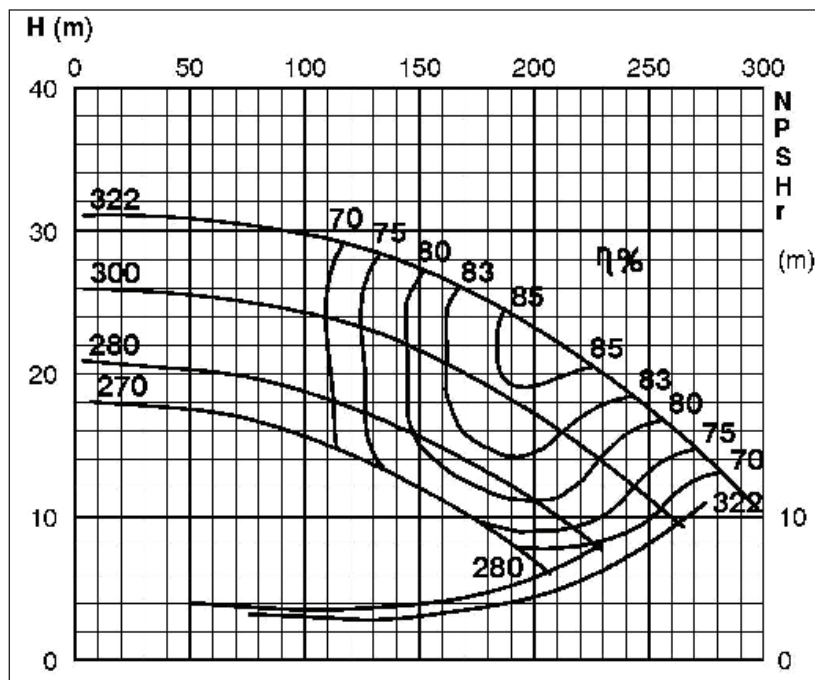
TECHNICAL SPECIFICATIONS

Retroc-Fit
Pumps

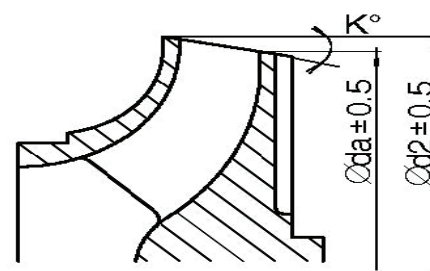
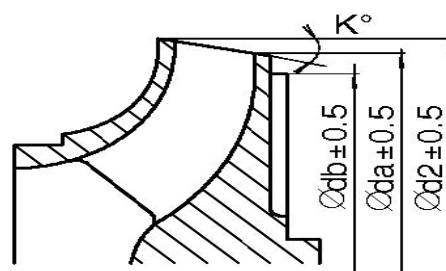
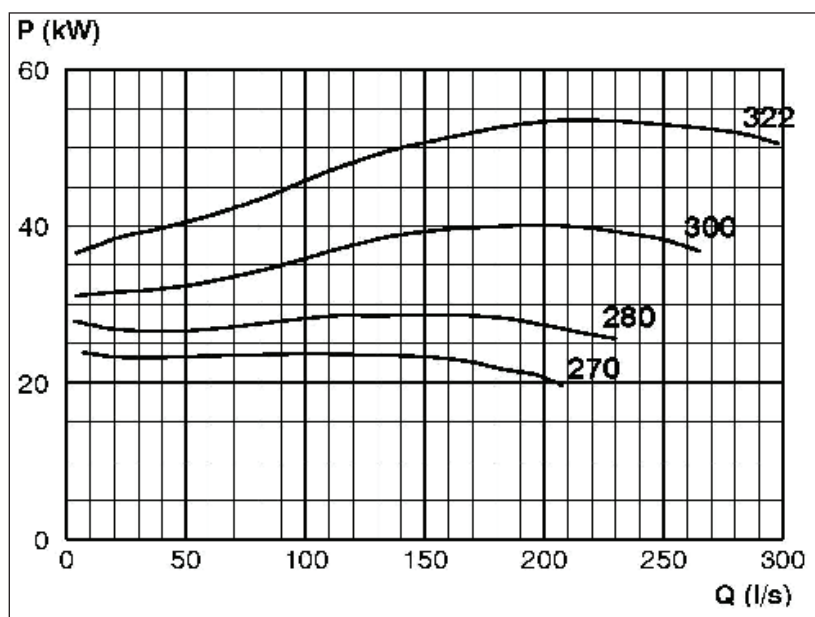
ISP Process Pumps - ISP200-250
ISP Impeller 283919 Closed B54 Z6

Performance Curve - ISP200-250-1470

1470 rpm



| Impeller Dia | | | |
|------------------------|-----------|------------------------|------------------------|
| $\varnothing d_2$ (mm) | K° | $\varnothing d_a$ (mm) | $\varnothing d_b$ (mm) |
| 322 | 10 | 303.5 | 299 |
| 320 | 10 | 302.0 | 299 |
| 315 | 11 | 294.0 | |
| 310 | 12 | 287.0 | |
| 305 | 13 | 280.0 | |
| 300 | 14 | 273.0 | |
| 295 | 15 | 266.0 | |
| 290 | 16 | 258.0 | |
| 285 | 17 | 251.0 | |
| 280 | 18 | 243.0 | |
| 275 | 19 | 235.0 | |
| 270 | 20 | 227.0 | |



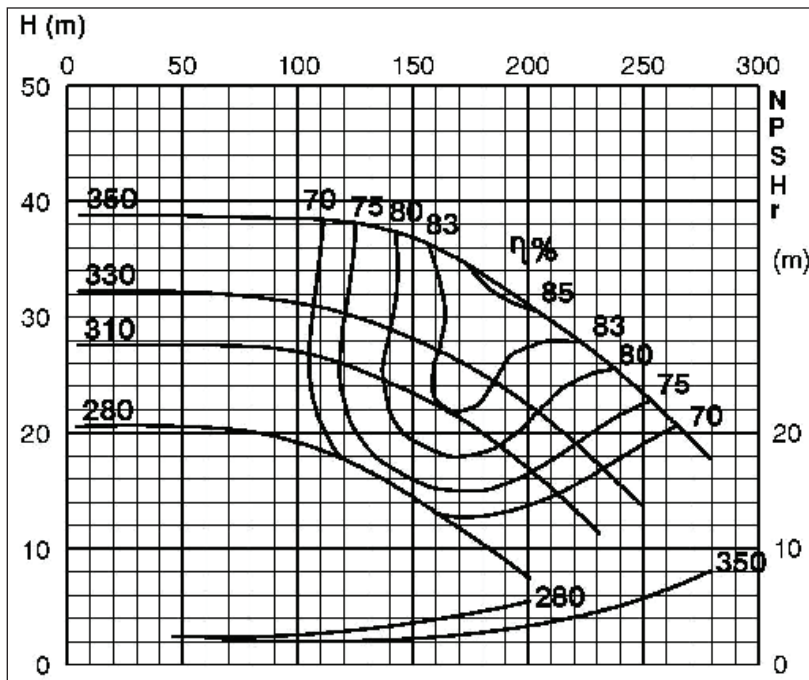
MTP127

TECHNICAL SPECIFICATIONS

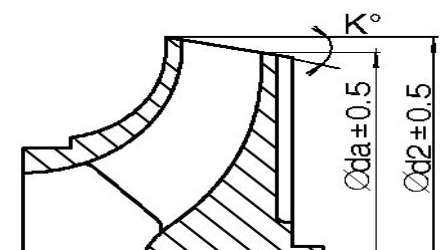
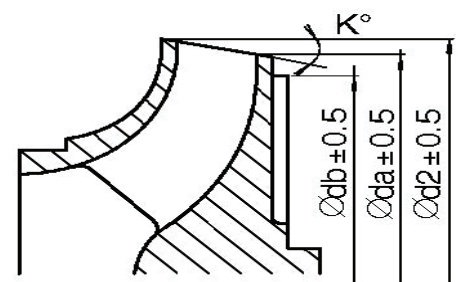
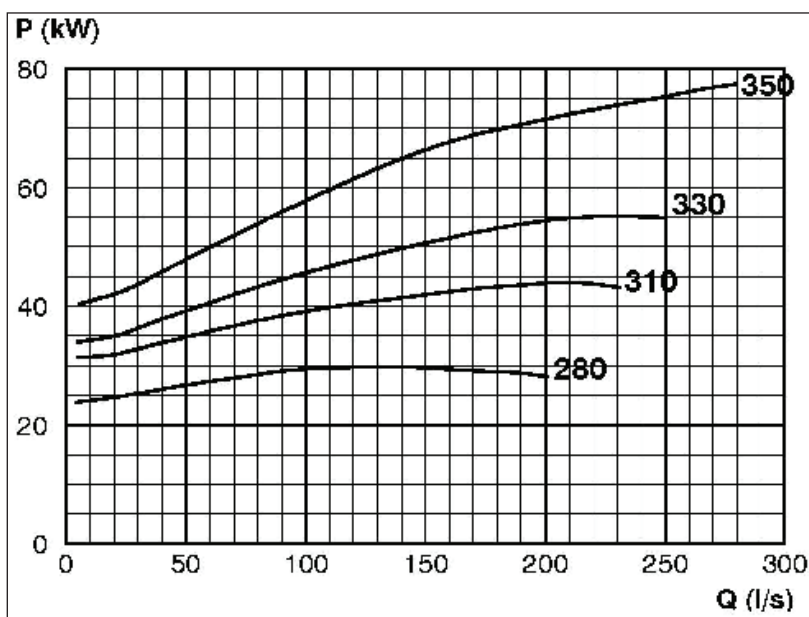
Retroc-Fit Pumps
ISP Process Pumps - ISP200-315
ISP Impeller 283922 Closed B48 Z6

Performance Curve - ISP200-315-1480

1480 rpm



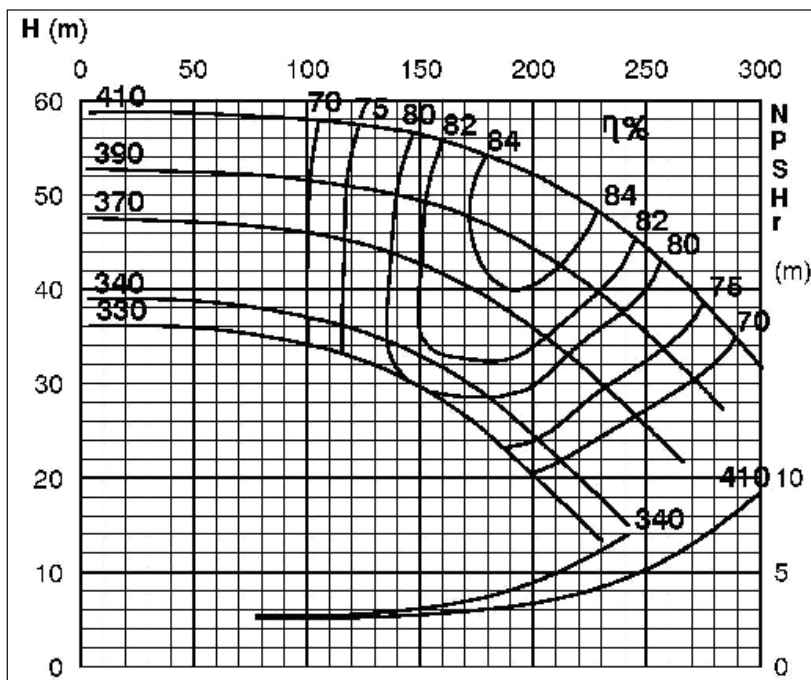
| Impeller Dia | | | |
|----------------------|----|----------------------|----------------------|
| Ød ₂ (mm) | K° | Ød _a (mm) | Ød _b (mm) |
| 350 | 5 | 342.0 | 339.3 |
| 345 | 6 | 335.0 | |
| 340 | 7 | 328.0 | |
| 335 | 8 | 321.0 | |
| 330 | 9 | 314.0 | |
| 325 | 10 | 307.0 | |
| 320 | 11 | 300.0 | |
| 315 | 12 | 293.0 | |
| 310 | 13 | 286.0 | |
| 305 | 14 | 278.0 | |
| 300 | 15 | 271.0 | |
| 295 | 16 | 263.0 | |
| 290 | 17 | 256.0 | |
| 285 | 18 | 248.0 | |
| 280 | 19 | 240.0 | |



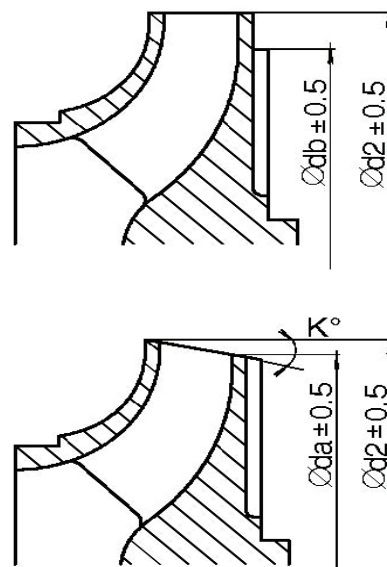
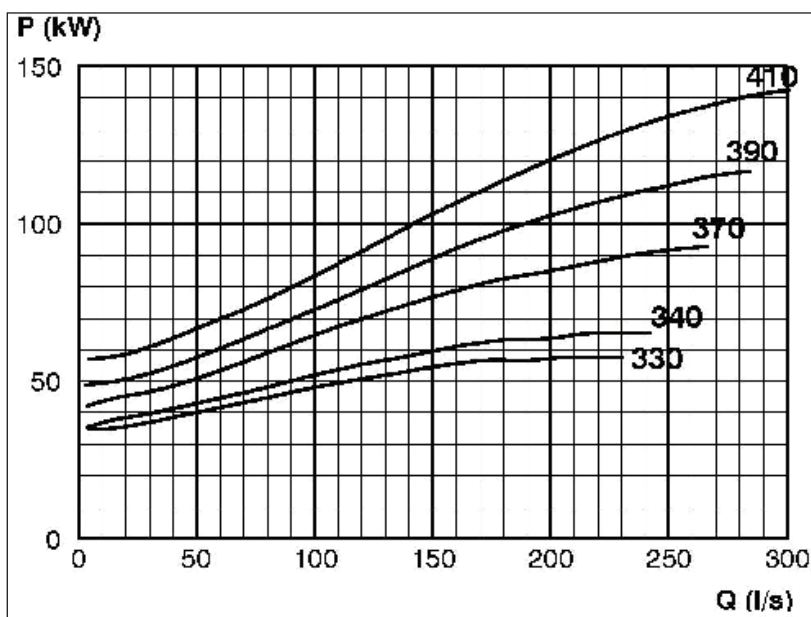
TECHNICAL SPECIFICATIONS

Performance Curve - ISP200-400-1480

1480 rpm



| Impeller Dia | | | |
|--------------------|-----------|--------------------|--------------------|
| $\text{Ø}d_2$ (mm) | K° | $\text{Ø}d_a$ (mm) | $\text{Ø}d_b$ (mm) |
| 410 | | | 399 |
| 405 | | | 396 |
| 400 | | | 392 |
| 395 | | | 389 |
| 390 | | | 385 |
| 385 | | | 382 |
| 380 | | | 378 |
| 375 | | | |
| 370 | | | |
| 365 | | | |
| 360 | | | |
| 355 | 1 | 354.0 | |
| 350 | 2 | 347.0 | |
| 345 | 3 | 340.0 | |
| 340 | 4 | 334.0 | |
| 335 | 5 | 327.0 | |
| 330 | 6 | 320.0 | |



Retroc-Fit

Pumps

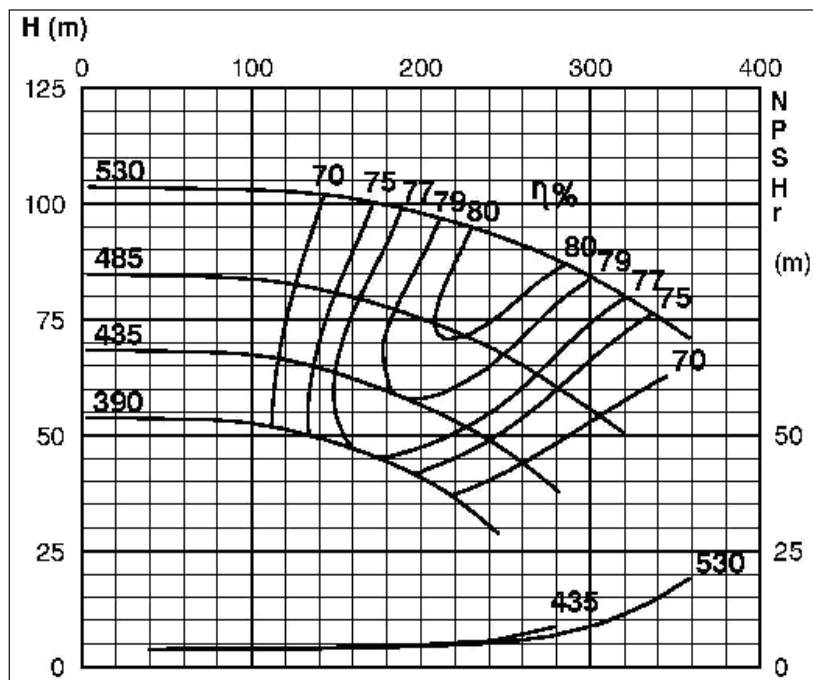
TECHNICAL SPECIFICATIONS

Retroc-Fit
Pumps

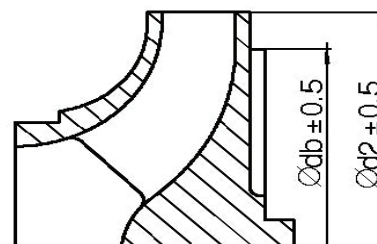
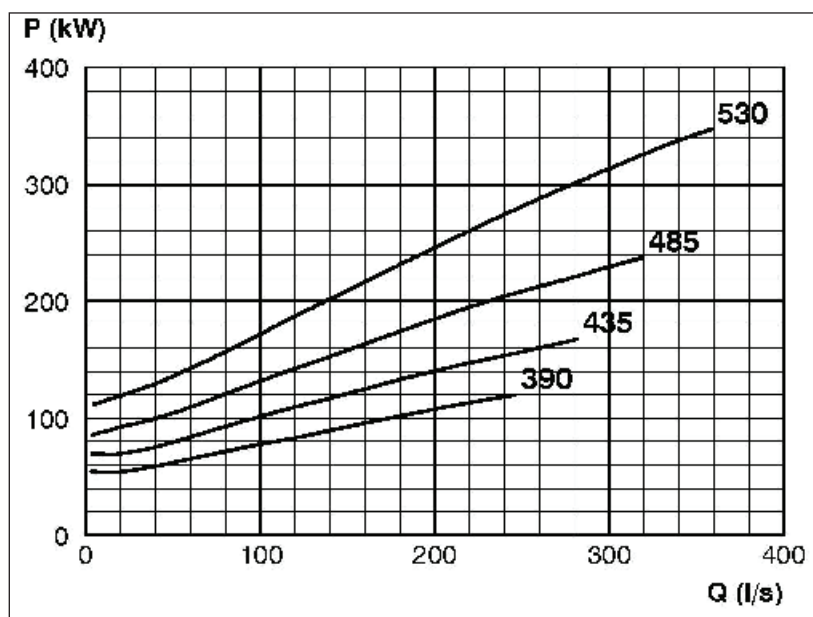
ISP Process Pumps - ISP200-500
ISP Impeller 283932 Closed B35 Z6

Performance Curve - ISP200-500-1485

1485 rpm



| Impeller Dia | |
|----------------------|----------------------|
| Ød ₂ (mm) | Ød _b (mm) |
| 530 | 465 |
| 525 | 462 |
| 520 | 459 |
| 515 | 456 |
| 510 | 452 |
| 505 | 449 |
| 500 | 446 |
| 495 | 443 |
| 490 | 440 |
| 485 | 438 |
| 480 | 435 |
| 475 | 432 |
| 470 | 429 |
| 465 | 427 |
| 460 | 424 |
| 455 | 421 |
| 450 | 418 |
| 445 | 416 |
| 440 | 414 |
| 435 | 412 |
| 430 | 410 |
| 425 | 408 |
| 420 | 406 |
| 415 | 404 |
| 410 | 402 |
| 405 | 400 |
| 400 | 398 |
| 395 | 395 |
| 390 | 390 |



MTP127

Retroc-Fit

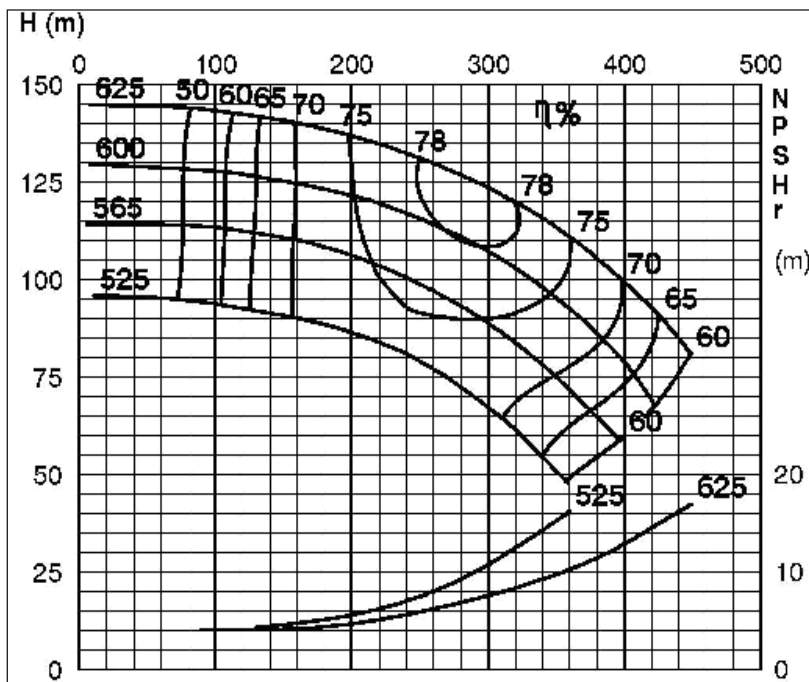
Pumps

TECHNICAL SPECIFICATIONS

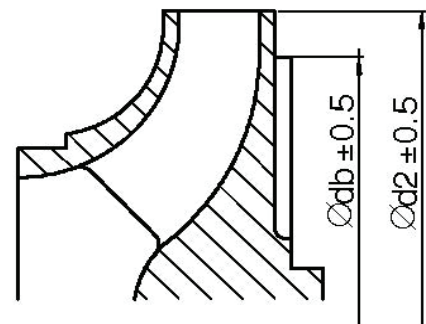
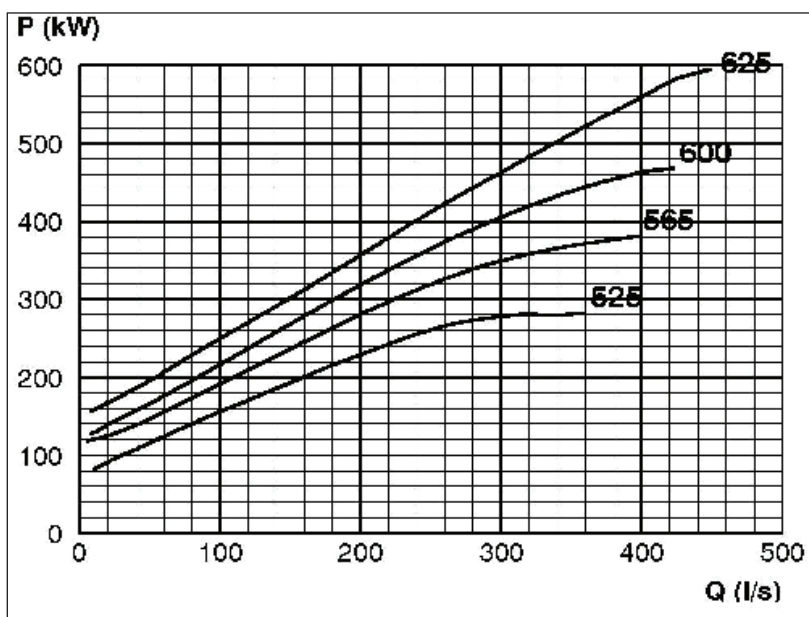
Retroc-Fit Pumps
ISP Process Pumps - ISP200-600
ISP Impeller 284004 Closed B35 Z6

Performance Curve - ISP200-600-1490

1490 rpm



| Impeller Dia | |
|------------------------|------------------------|
| $\varnothing d_2$ (mm) | $\varnothing d_b$ (mm) |
| 625 | 539 |
| 620 | 538 |
| 615 | 533 |
| 610 | 529 |
| 605 | 525 |
| 600 | 522 |
| 595 | 519 |
| 590 | 517 |
| 585 | 514 |
| 580 | 512 |
| 575 | 509 |
| 570 | 505 |
| 565 | 504 |
| 560 | 503 |
| 555 | 500 |
| 550 | 499 |
| 545 | 497 |
| 540 | 495 |
| 535 | 492 |
| 530 | 488 |
| 525 | 485 |



MTP127

Retroc-Fit

Pumps

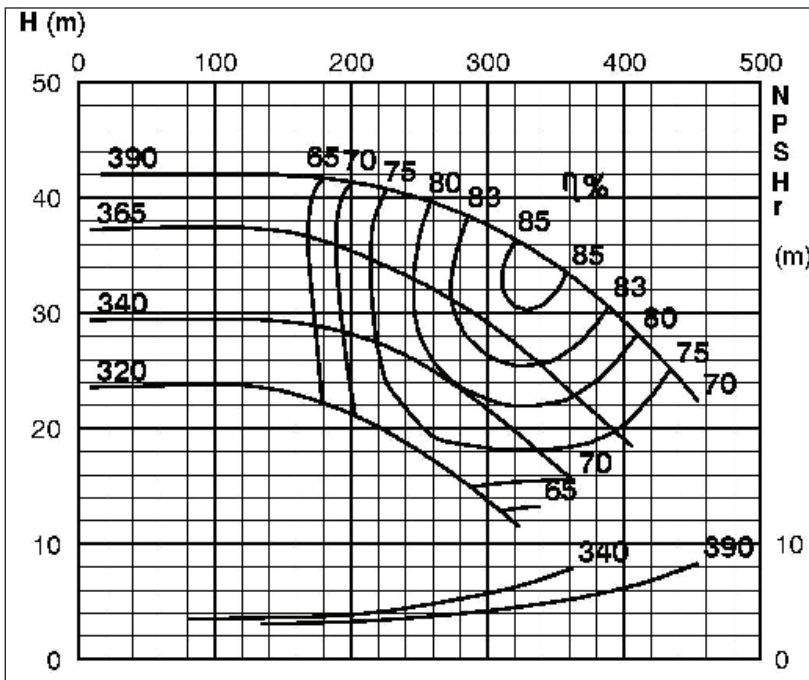
TECHNICAL SPECIFICATIONS

Retroc-Fit
Pumps

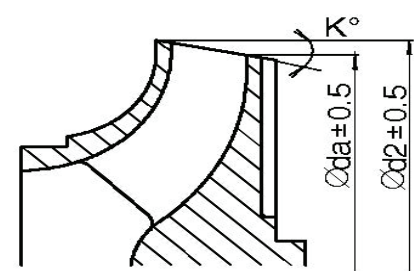
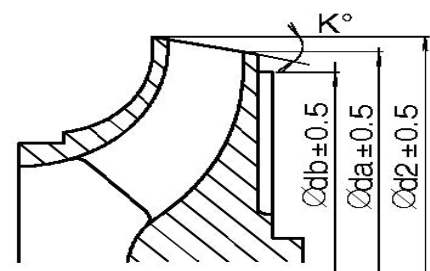
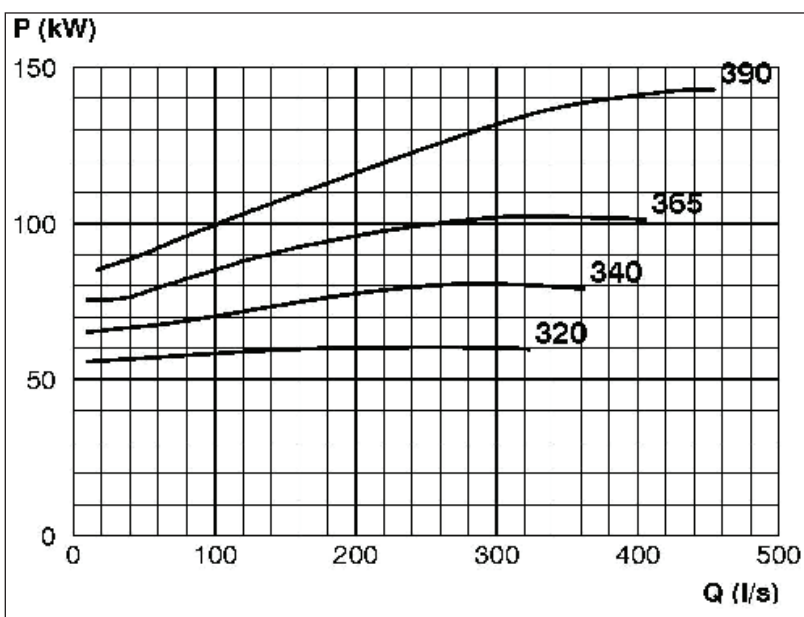
ISP Process Pumps - ISP250-315
ISP Impeller 283923 Closed B64 Z6

Performance Curve - ISP250-315-1480

1480 rpm



| Impeller Dia | | | |
|------------------------|-----------|------------------------|------------------------|
| $\varnothing d_2$ (mm) | K° | $\varnothing d_a$ (mm) | $\varnothing d_b$ (mm) |
| 390 | 9 | 370 | 365.6 |
| 385 | 9 | 365 | |
| 380 | 10 | 357 | |
| 375 | 10 | 352 | |
| 370 | 11 | 344 | |
| 365 | 11 | 339 | |
| 360 | 12 | 331 | |
| 355 | 13 | 324 | |
| 350 | 14 | 316 | |
| 345 | 15 | 308 | |
| 340 | 16 | 300 | |
| 335 | 17 | 291 | |
| 330 | 18 | 283 | |
| 325 | 19 | 275 | |
| 320 | 20 | 266 | |



MTP127

Exclusively Distributed by

Retroc-Fit

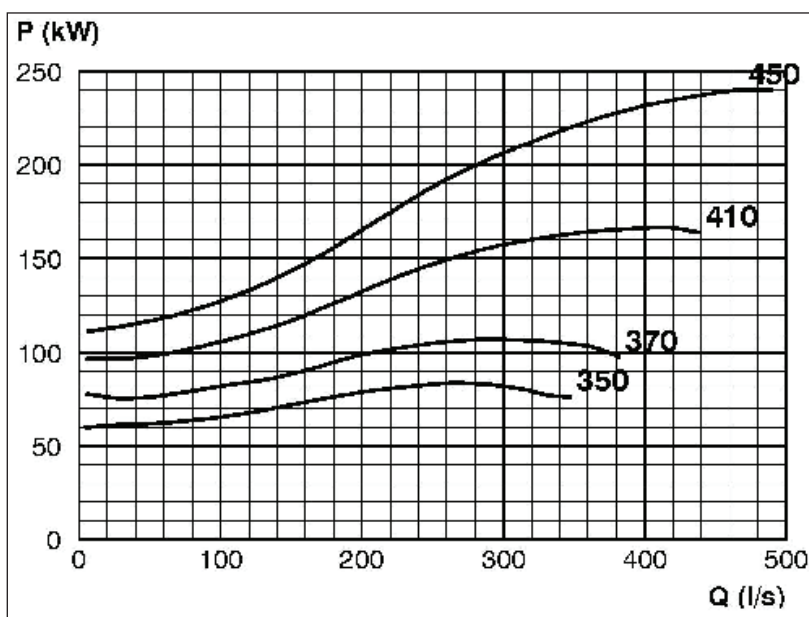
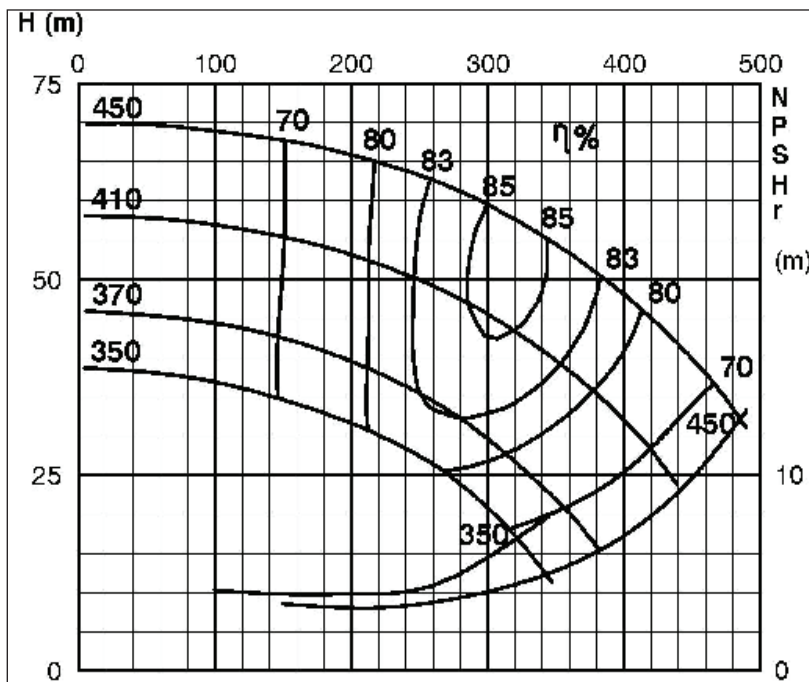
Pumps

TECHNICAL SPECIFICATIONS

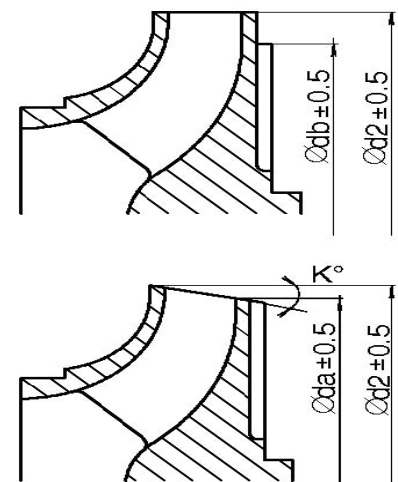
Retroc-Fit Pumps
ISP Process Pumps - ISP250-400
ISP Impeller 283927 Closed B55 Z6

Performance Curve - ISP250-400-1480

1480 rpm



| Impeller Dia | | | |
|----------------------|----|----------------------|----------------------|
| Ød ₂ (mm) | K° | Ød _a (mm) | Ød _b (mm) |
| 450 | | | 442 |
| 445 | | | 440 |
| 440 | | | 437 |
| 435 | | | 434 |
| 430 | | | |
| 425 | | | |
| 420 | | | |
| 415 | | | |
| 410 | | | |
| 405 | | | |
| 400 | | | |
| 395 | | | |
| 390 | 2 | 386 | |
| 385 | 2 | 381 | |
| 380 | 3 | 374 | |
| 375 | 4 | 367 | |
| 370 | 5 | 359 | |
| 365 | 6 | 352 | |
| 360 | 7 | 345 | |
| 355 | 8 | 337 | |
| 350 | 9 | 330 | |



MTP127

RetroFit

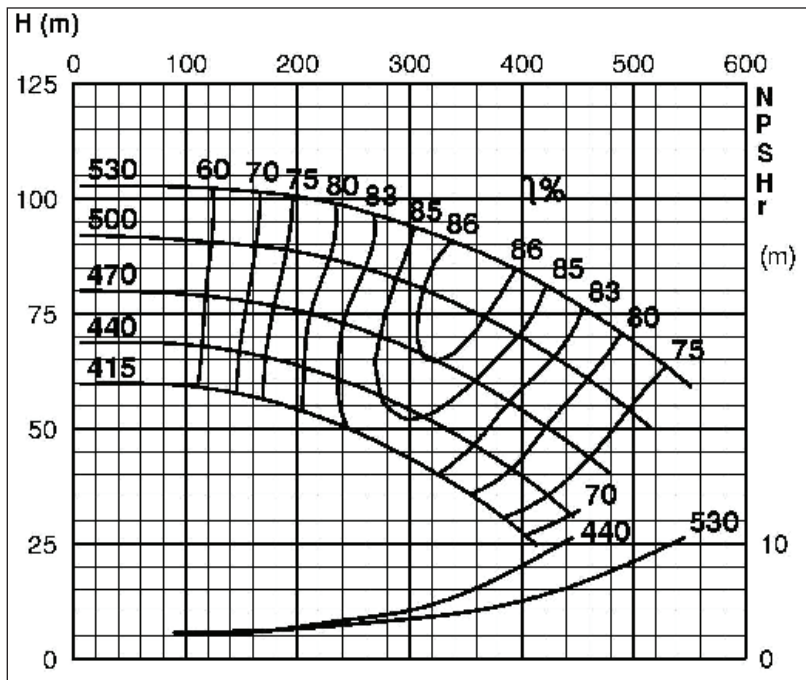
Pumps

TECHNICAL SPECIFICATIONS

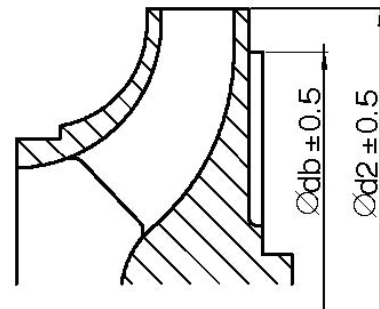
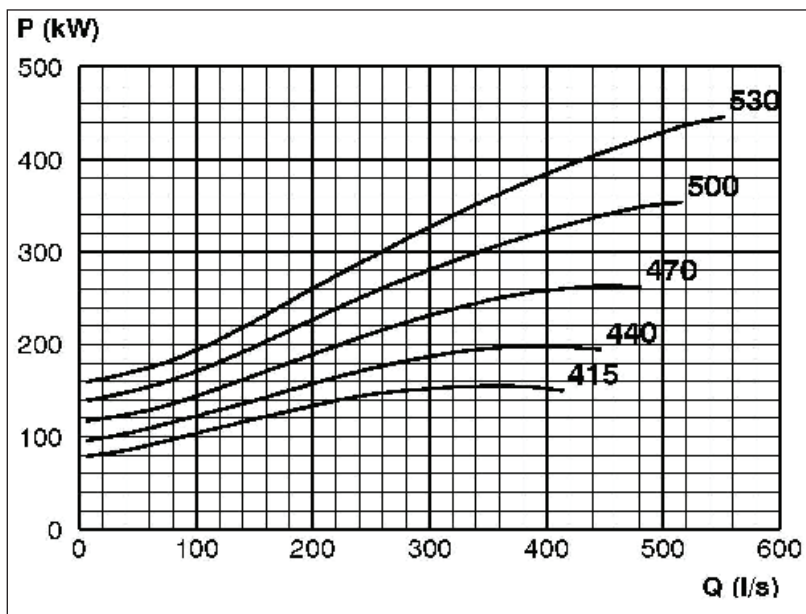
RetroFit Pumps ISP Process Pumps - ISP250-500
ISP Impeller 283933 Closed B49 Z6

Performance Curve - ISP250-500-1490

1490 rpm



| Impeller Dia | |
|--------------------|--------------------|
| $\text{Ø}d_2$ (mm) | $\text{Ø}d_b$ (mm) |
| 530 | 492 |
| 525 | 491 |
| 520 | 489 |
| 515 | 487 |
| 510 | 485 |
| 505 | 481 |
| 500 | 476 |
| 495 | 472 |
| 490 | 467 |
| 485 | 465 |
| 480 | 462 |
| 475 | 459 |
| 470 | 456 |
| 465 | 452 |
| 460 | 448 |
| 455 | 445 |
| 450 | 441 |
| 445 | 439 |
| 440 | 436 |
| 435 | 433 |
| 430 | 430 |
| 425 | 425 |
| 420 | 420 |
| 415 | 415 |



MTP127

Retroc-Fit

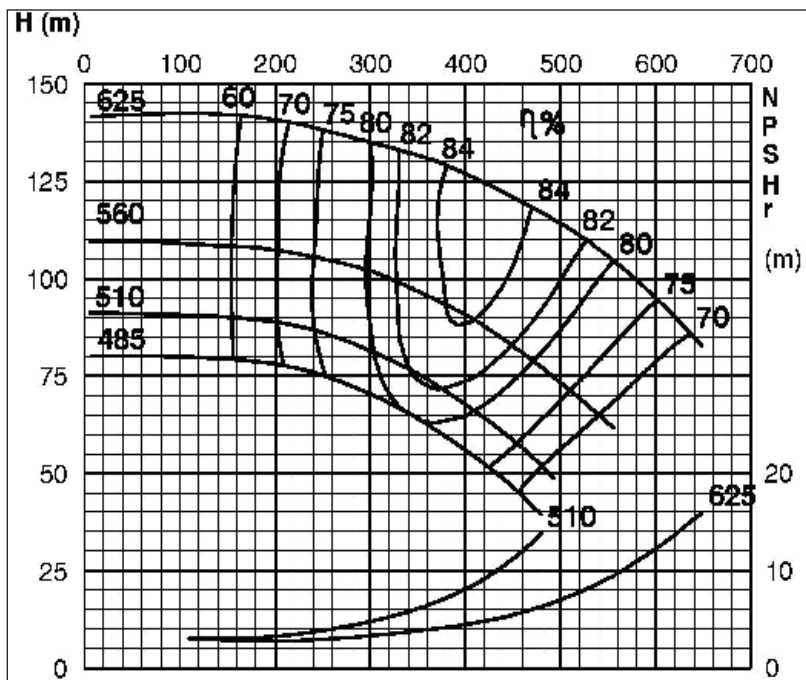
Pumps

TECHNICAL SPECIFICATIONS

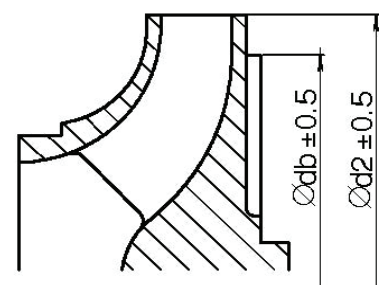
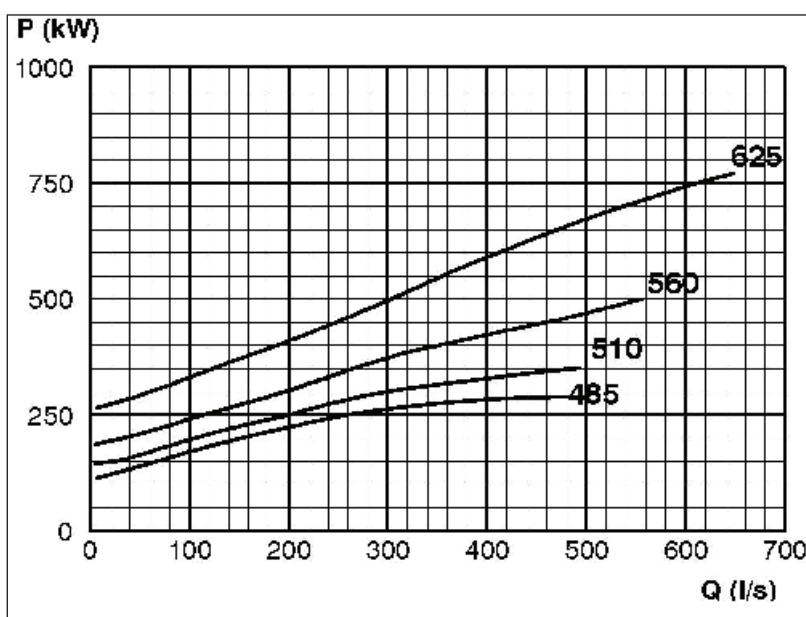
Retroc-Fit Pumps
ISP Process Pumps - ISP250-600
ISP Impeller 284005 Closed B43 Z6

Performance Curve - ISP250-600-1490

1490 rpm



| Impeller Dia | |
|----------------------|----------------------|
| Ød ₂ (mm) | Ød _b (mm) |
| 625 | 555 |
| 620 | 553 |
| 615 | 550 |
| 610 | 546 |
| 605 | 543 |
| 600 | 542 |
| 595 | 539 |
| 590 | 537 |
| 585 | 534 |
| 580 | 529 |
| 575 | 528 |
| 570 | 525 |
| 565 | 521 |
| 560 | 518 |
| 555 | 516 |
| 550 | 514 |
| 545 | 513 |
| 540 | 512 |
| 535 | 510 |
| 530 | 507 |
| 525 | 504 |
| 520 | 503 |
| 515 | 502 |
| 510 | 497 |
| 505 | 496 |
| 500 | 494 |
| 495 | 493 |
| 490 | 490 |
| 485 | 485 |



MTP127

Retroc-Fit

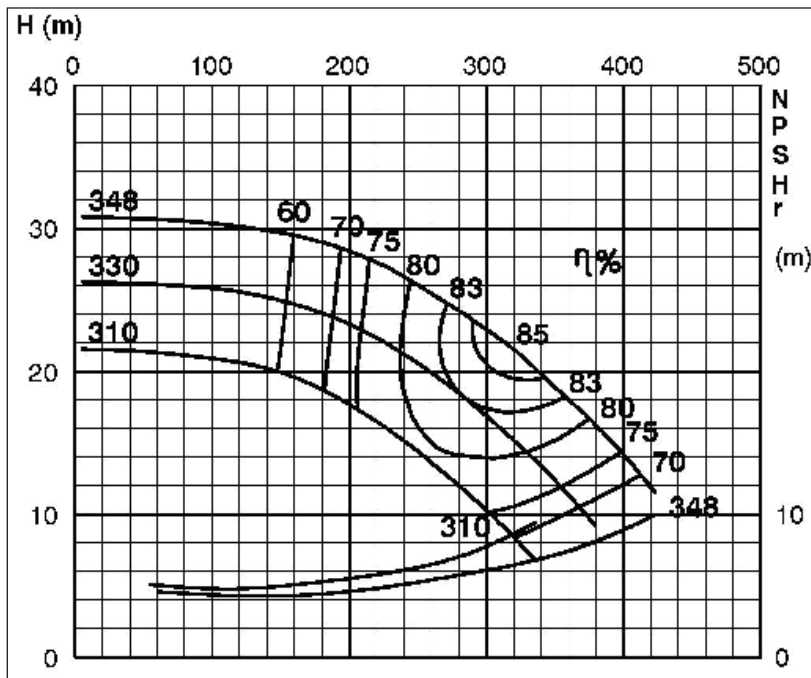
Pumps

TECHNICAL SPECIFICATIONS

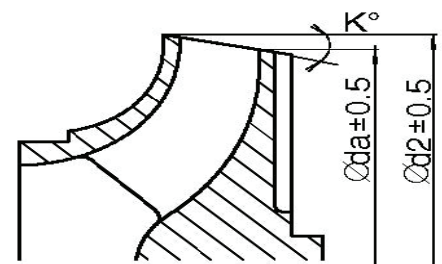
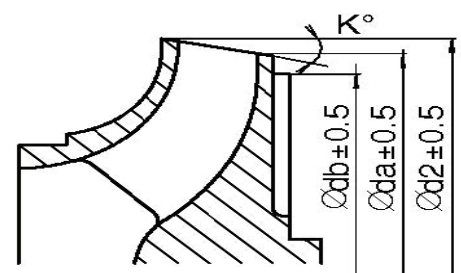
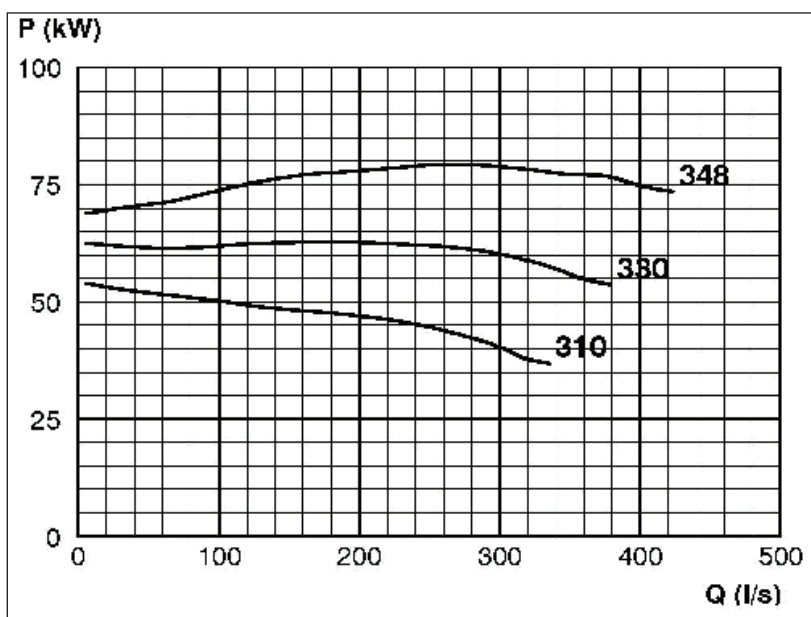
Retroc-Fit Pumps
ISP Process Pumps - ISP300-250
ISP Impeller 283920 Closed B71 Z6

Performance Curve - ISP300-250-1480

1480 rpm



| Impeller Dia | | | |
|----------------------|----|----------------------|----------------------|
| Ød ₂ (mm) | K° | Ød _a (mm) | Ød _b (mm) |
| 348 | 17 | 307.0 | 299.1 |
| 345 | 18 | 301.0 | 299.1 |
| 340 | 19 | 293.0 | |
| 335 | 20 | 284.0 | |
| 330 | 21 | 276.0 | |
| 325 | 22 | 267.0 | |
| 320 | 23 | 258.0 | |
| 315 | 24 | 249.0 | |
| 310 | 25 | 240.0 | |

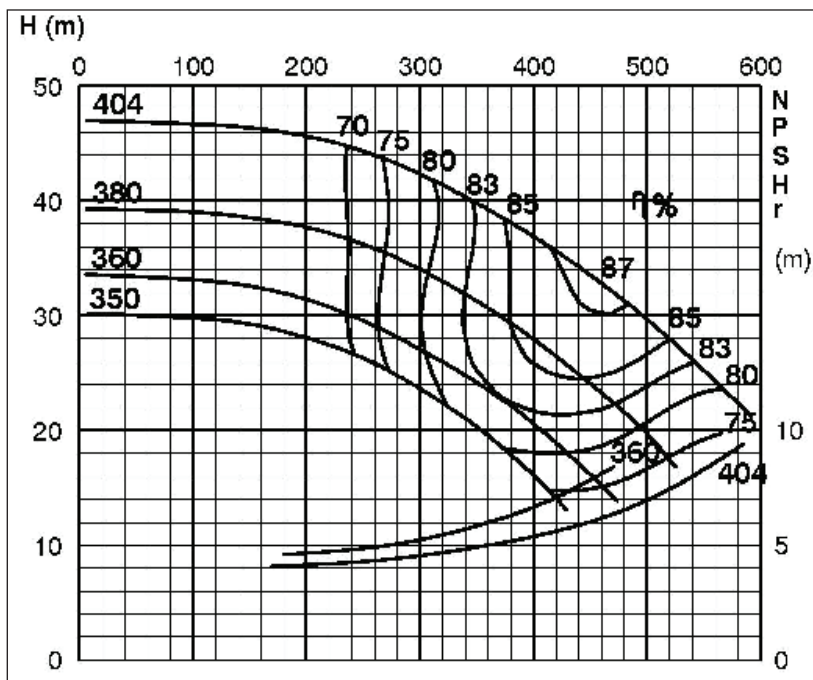


MTP127

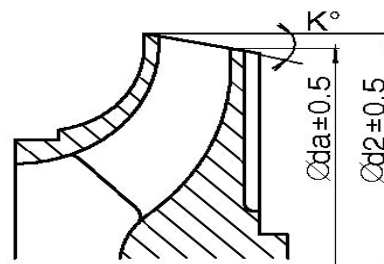
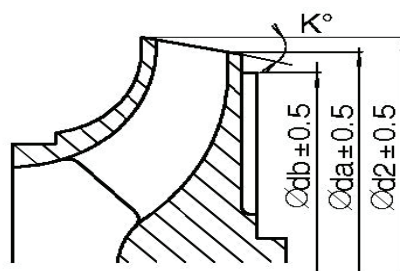
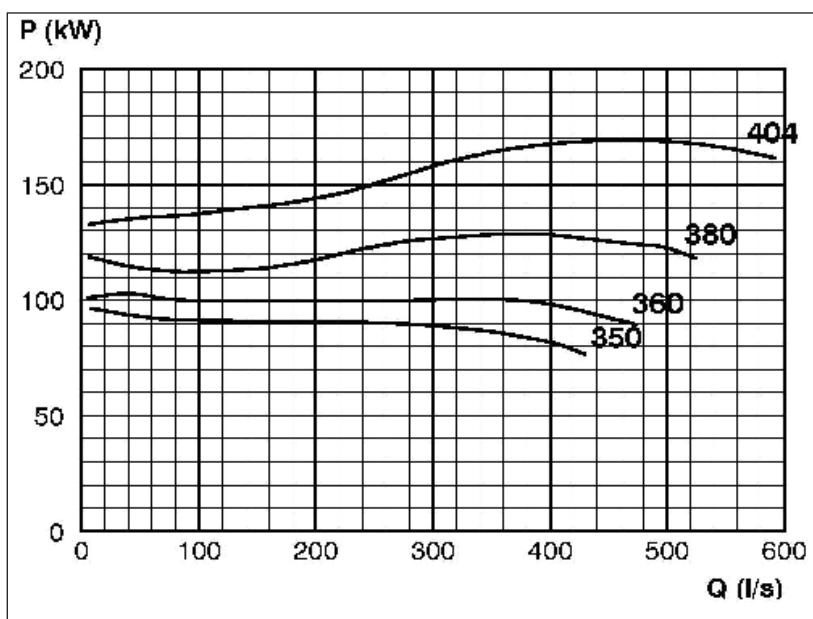
TECHNICAL SPECIFICATIONS

Performance Curve - ISP300-315-1480

1480 rpm



| Impeller Dia | | | |
|------------------------|-----------|------------------------|------------------------|
| $\varnothing d_2$ (mm) | K° | $\varnothing d_a$ (mm) | $\varnothing d_b$ (mm) |
| 404 | 13 | 371.6 | 365.5 |
| 400 | 13 | 367.0 | 365.5 |
| 395 | 14 | 359.0 | |
| 390 | 14 | 354.0 | |
| 385 | 15 | 346.0 | |
| 380 | 16 | 338.0 | |
| 375 | 17 | 330.0 | |
| 370 | 18 | 322.0 | |
| 365 | 19 | 314.0 | |
| 360 | 20 | 305.0 | |
| 355 | 22 | 294.0 | |
| 350 | 24 | 282.0 | |



Retroc-Fit

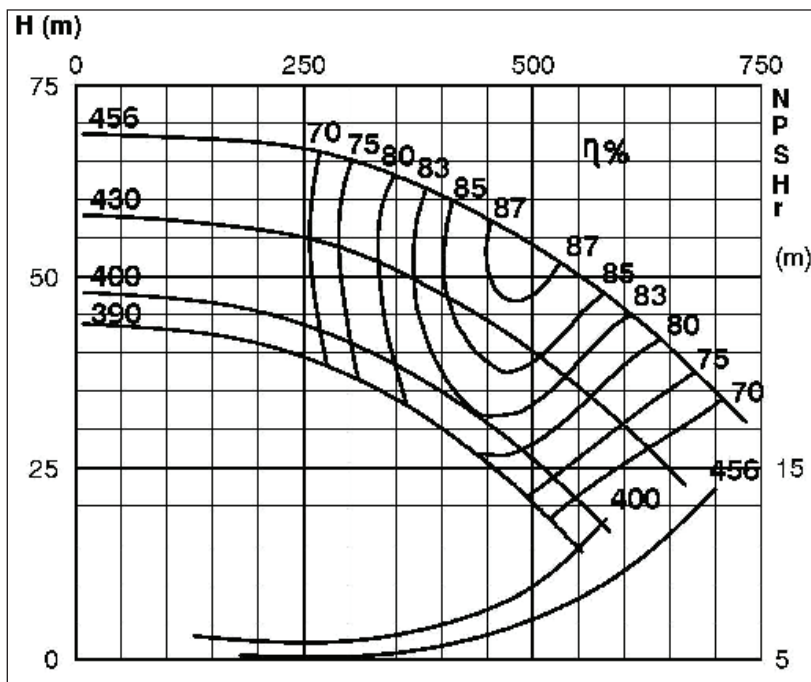
Pumps

TECHNICAL SPECIFICATIONS

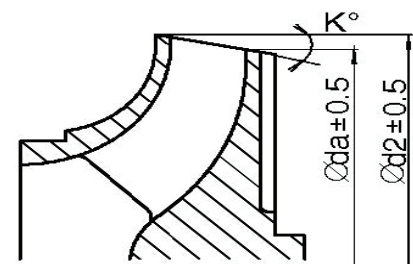
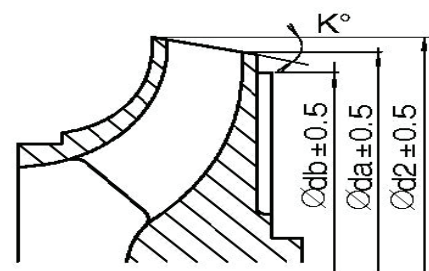
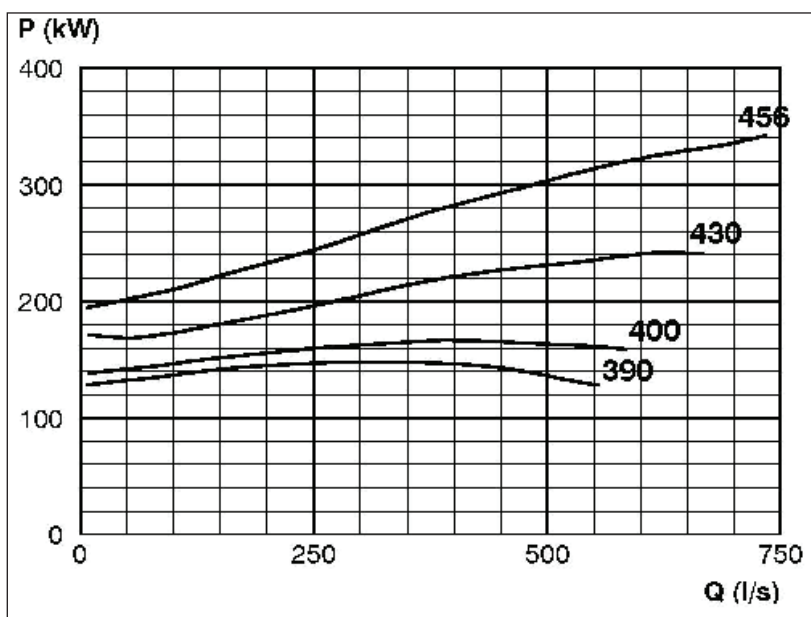
Retroc-Fit Pumps
ISP Process Pumps - ISP300-400
ISP Impeller 283928 Closed B69 Z7

Performance Curve - ISP300-400-1490

1490 rpm



| Impeller Dia | | | |
|--------------------|-----------|--------------------|--------------------|
| $\text{Ø}d_2$ (mm) | K° | $\text{Ø}d_a$ (mm) | $\text{Ø}d_b$ (mm) |
| 456 | 8 | 436.9 | 433.4 |
| 450 | 8 | 431.0 | |
| 445 | 9 | 423.0 | |
| 440 | 10 | 416.0 | |
| 435 | 10 | 410.0 | |
| 430 | 11 | 403.0 | |
| 425 | 11 | 397.0 | |
| 420 | 12 | 389.0 | |
| 415 | 12 | 384.0 | |
| 410 | 13 | 376.0 | |
| 405 | 14 | 368.0 | |
| 400 | 15 | 360.0 | |
| 395 | 16 | 352.0 | |
| 390 | 17 | 343.0 | |



MTP127

Retroc-Fit

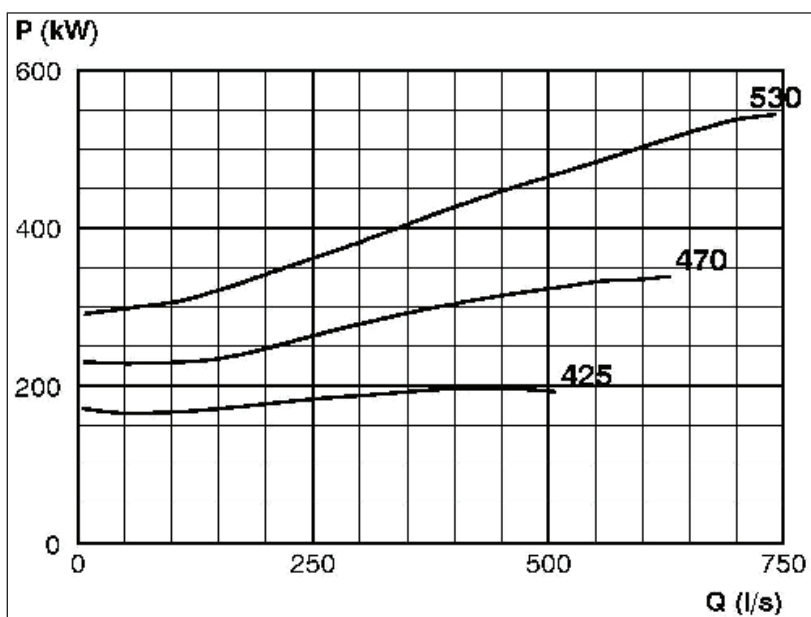
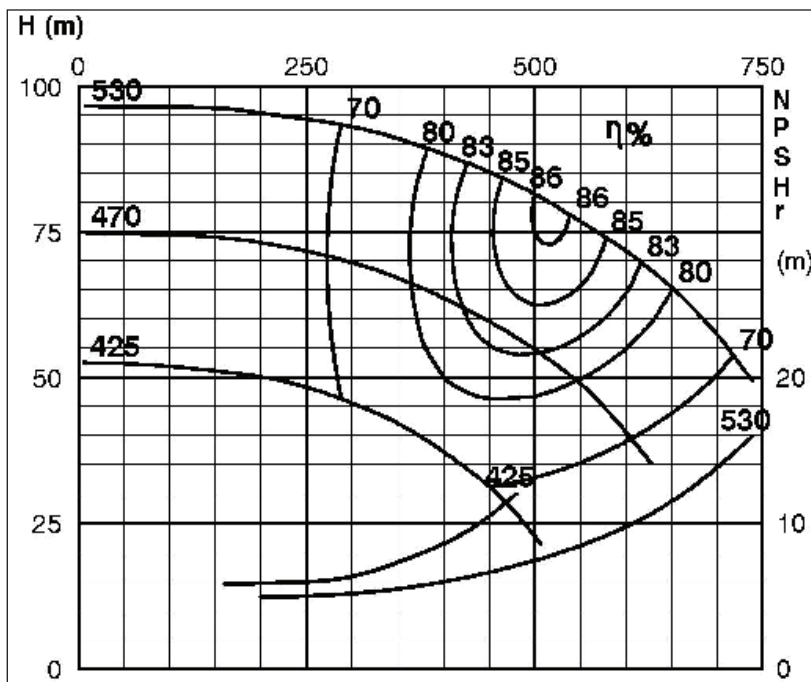
Pumps

TECHNICAL SPECIFICATIONS

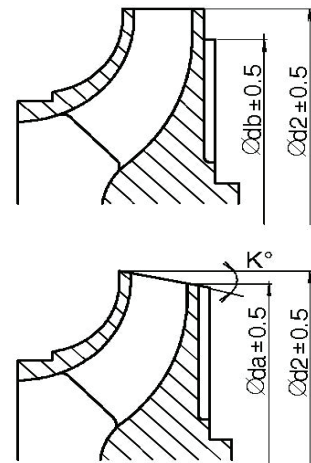
Retroc-Fit Pumps
ISP Process Pumps - ISP300-500
ISP Impeller 283934 Closed B64 Z6

Performance Curve - ISP300-500-1490

1490 rpm



| Impeller Dia | | | |
|----------------------|----|----------------------|----------------------|
| Ød ₂ (mm) | K° | Ød _a (mm) | Ød _b (mm) |
| 530 | | | 522 |
| 525 | | | 519 |
| 520 | | | 516 |
| 515 | | | 513 |
| 510 | | | |
| 505 | | | |
| 500 | | | |
| 495 | | | |
| 490 | | | |
| 485 | | | |
| 480 | | | |
| 475 | | | |
| 470 | | | |
| 465 | 1 | 463.0 | |
| 460 | 2 | 455.0 | |
| 455 | 3 | 448.0 | |
| 450 | 4 | 440.0 | |
| 445 | 5 | 432.0 | |
| 440 | 6 | 425.0 | |
| 435 | 7 | 417.0 | |
| 430 | 8 | 409.0 | |
| 425 | 10 | 399.0 | |



MTP127