

**TECHNICAL DATA SHEETS**

*Closed Impeller 3000  
Pump Curve Booklet*



# Retro-Fit

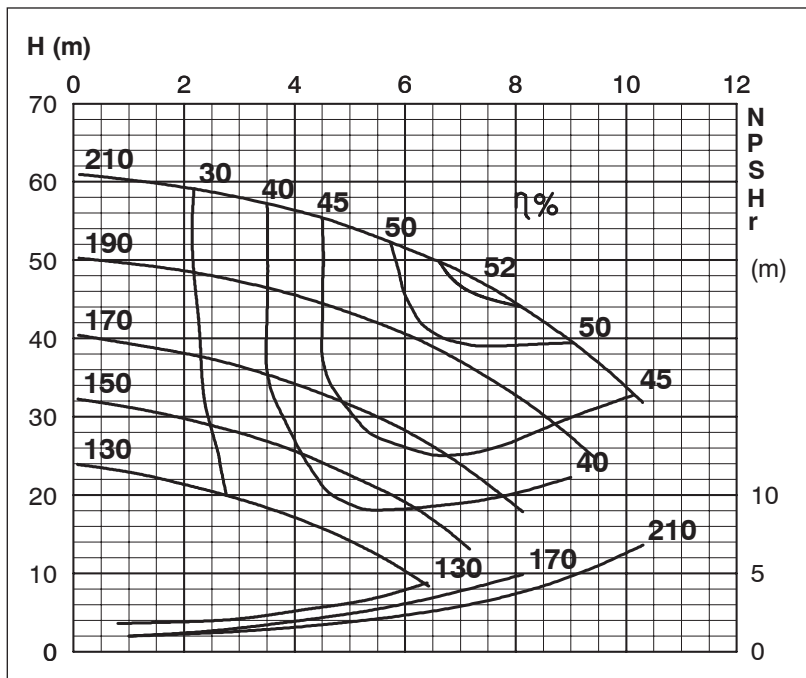
Pumps

## TECHNICAL SPECIFICATIONS

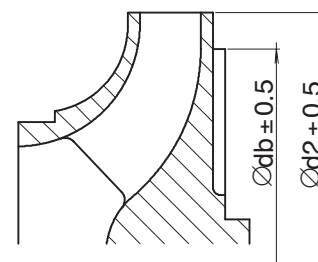
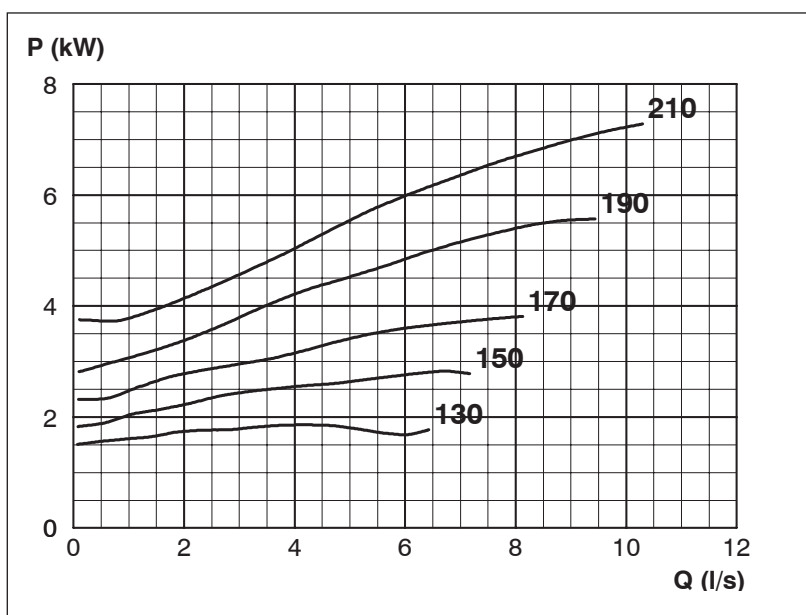
**Retro-Fit** Pumps  
**ISP Process Pumps - ISP32-200**  
**ISP Impeller 283902 Closed B4 Z5**

Performance Curve - ISP32-200-2905

2905 rpm



| Impeller Dia           |                        |
|------------------------|------------------------|
| $\varnothing d_2$ (mm) | $\varnothing d_b$ (mm) |
| 210                    | 149.0                  |
| 205                    | 147.5                  |
| 200                    | 146.0                  |
| 195                    | 144.5                  |
| 190                    | 143.0                  |
| 185                    | 141.5                  |
| 180                    | 140.0                  |
| 175                    | 138.5                  |
| 170                    | 137.0                  |
| 165                    | 135.5                  |
| 160                    | 134.0                  |
| 155                    | 132.5                  |
| 150                    | 131.0                  |
| 145                    | 129.5                  |
| 140                    | 128.0                  |
| 135                    | 126.5                  |
| 130                    | 125.0                  |



MTP127

# Retro-Fit

Pumps

## TECHNICAL SPECIFICATIONS

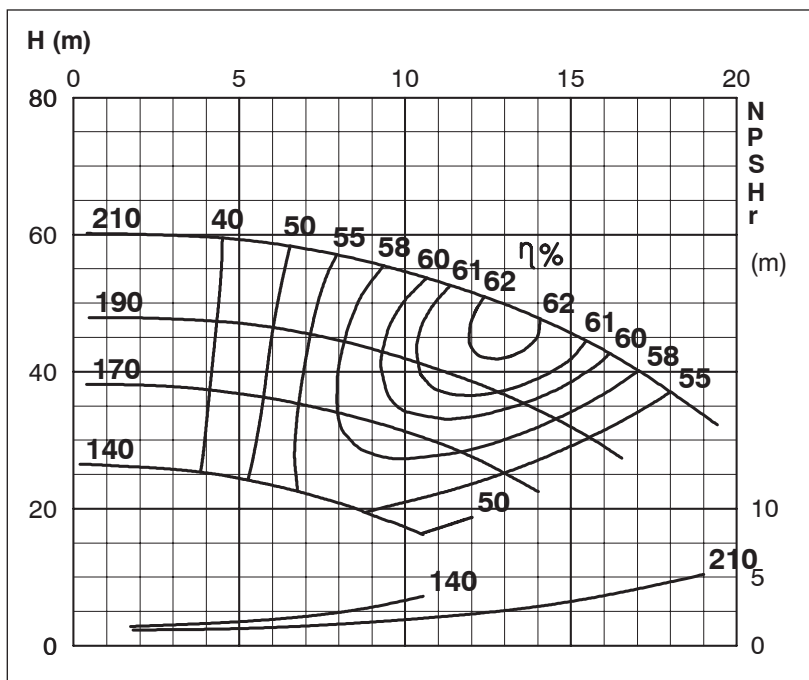
**Retro-Fit**  
Pumps

ISP Process Pumps - ISP40-200

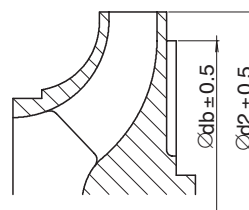
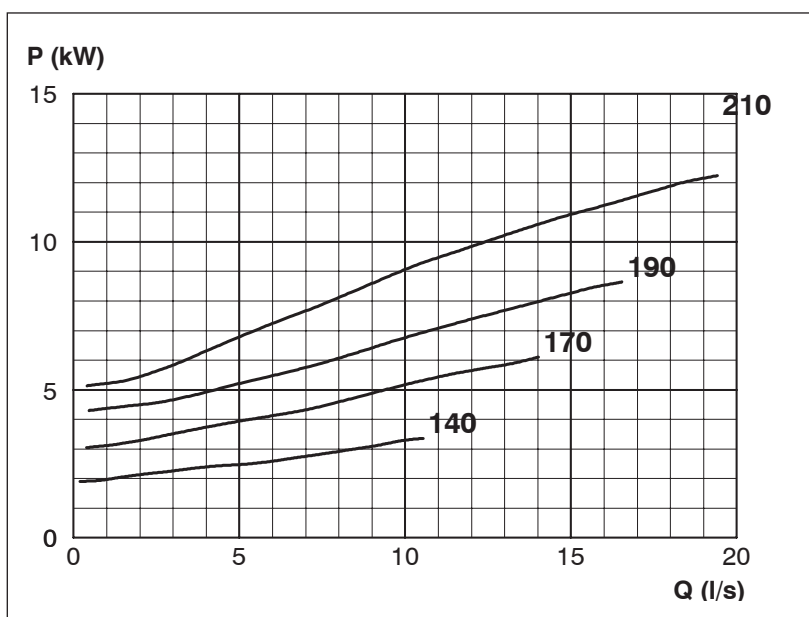
ISP Impeller 283903 Closed B7 Z5

Performance Curve - ISP40-200-2910

2910 rpm



| Impeller Dia         |                      |
|----------------------|----------------------|
| Ød <sub>2</sub> (mm) | Ød <sub>b</sub> (mm) |
| 210                  | 169                  |
| 205                  | 165                  |
| 200                  | 160                  |
| 195                  | 157                  |
| 190                  | 153                  |
| 185                  | 151                  |
| 180                  | 149                  |
| 175                  | 147                  |
| 170                  | 145                  |
| 165                  | 143                  |
| 160                  | 140                  |
| 155                  | 139                  |
| 150                  | 137                  |
| 145                  | 135                  |
| 140                  | 132                  |



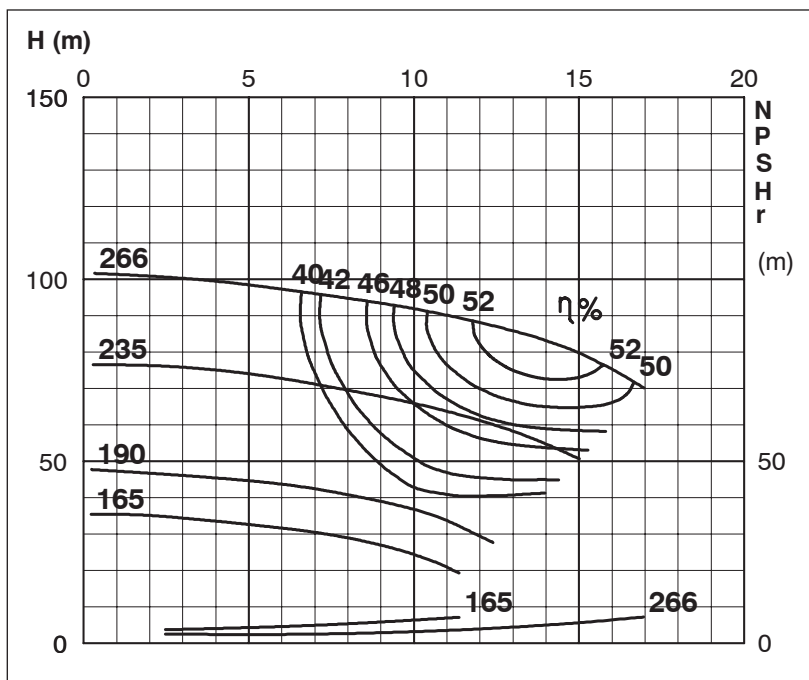
MTP127

Exclusively Distributed by

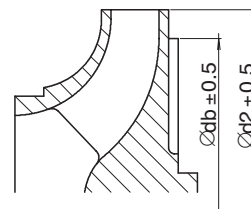
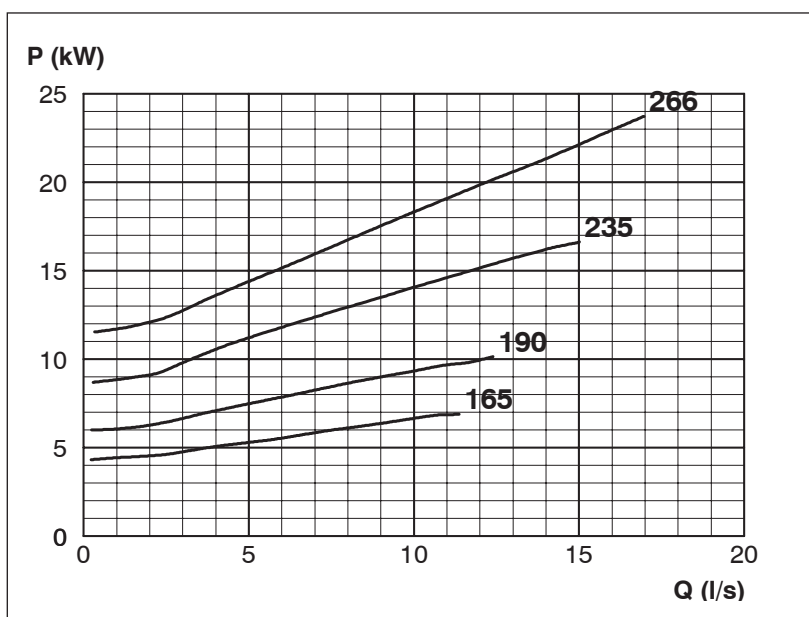
# TECHNICAL SPECIFICATIONS

#### Performance Curve - ISP40-250-2940

2940 rpm



| Impeller Dia         |                      |
|----------------------|----------------------|
| Ød <sub>2</sub> (mm) | Ød <sub>b</sub> (mm) |
| 266                  | 175                  |
| 260                  | 172                  |
| 255                  | 169                  |
| 250                  | 166                  |
| 245                  | 164                  |
| 240                  | 161                  |
| 235                  | 159                  |
| 230                  | 157                  |
| 225                  | 156                  |
| 220                  | 154                  |
| 215                  | 152                  |
| 210                  | 150                  |
| 205                  | 148                  |
| 200                  | 147                  |
| 195                  | 146                  |
| 190                  | 144                  |
| 185                  | 143                  |
| 180                  | 142                  |
| 175                  | 141                  |
| 170                  | 140                  |
| 165                  | 138                  |



# Retroc-Fit

Pumps

## TECHNICAL SPECIFICATIONS

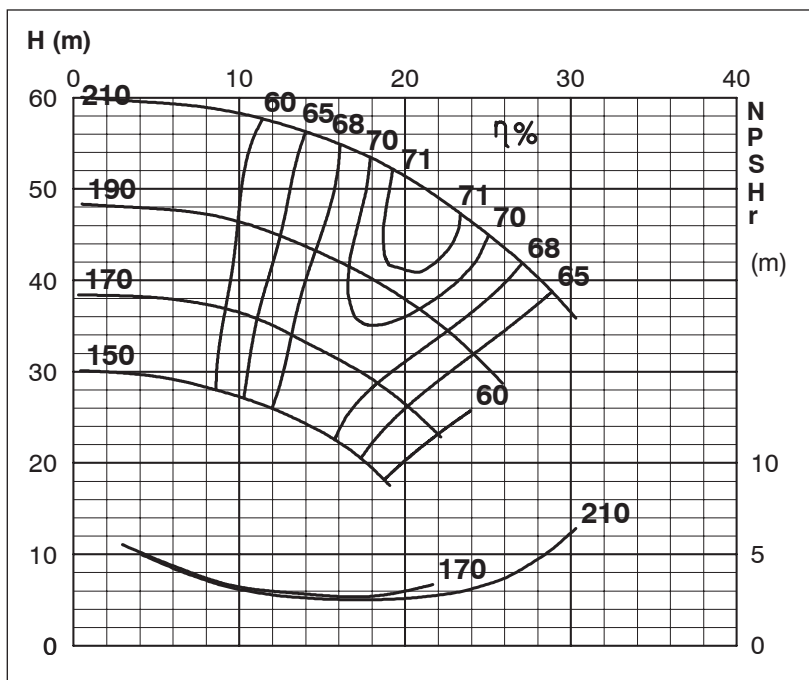
**Retroc-Fit**  
Pumps

ISP Process Pumps - ISP50-200

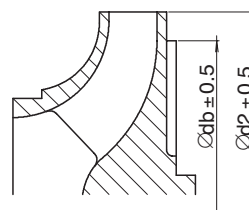
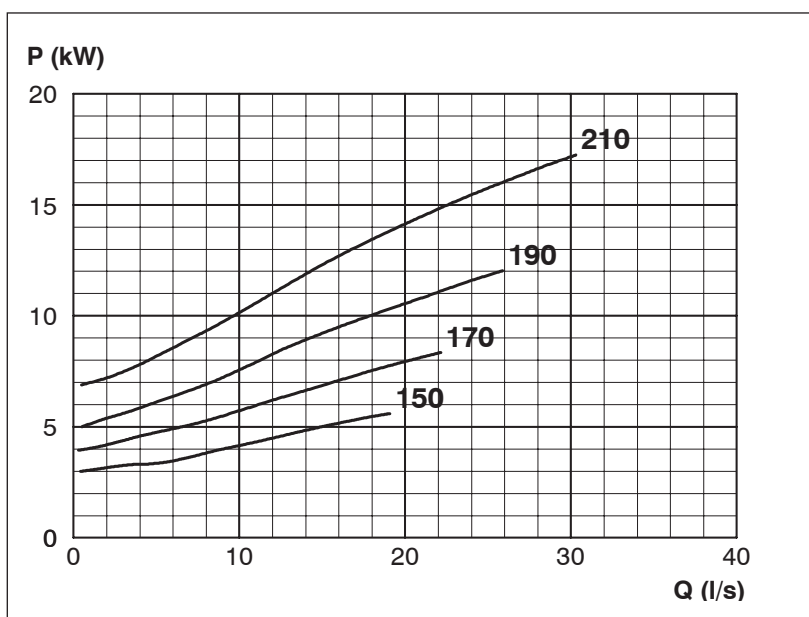
ISP Impeller 283904 Closed B10 Z5

### Performance Curve - ISP50-200-2910

2910 rpm



| Impeller Dia         |                      |
|----------------------|----------------------|
| Ød <sub>2</sub> (mm) | Ød <sub>b</sub> (mm) |
| 210                  | 177                  |
| 205                  | 173                  |
| 200                  | 168                  |
| 195                  | 165                  |
| 190                  | 162                  |
| 185                  | 160                  |
| 180                  | 158                  |
| 175                  | 156                  |
| 170                  | 153                  |
| 165                  | 151                  |
| 160                  | 149                  |
| 155                  | 147                  |
| 150                  | 144                  |



MTP127

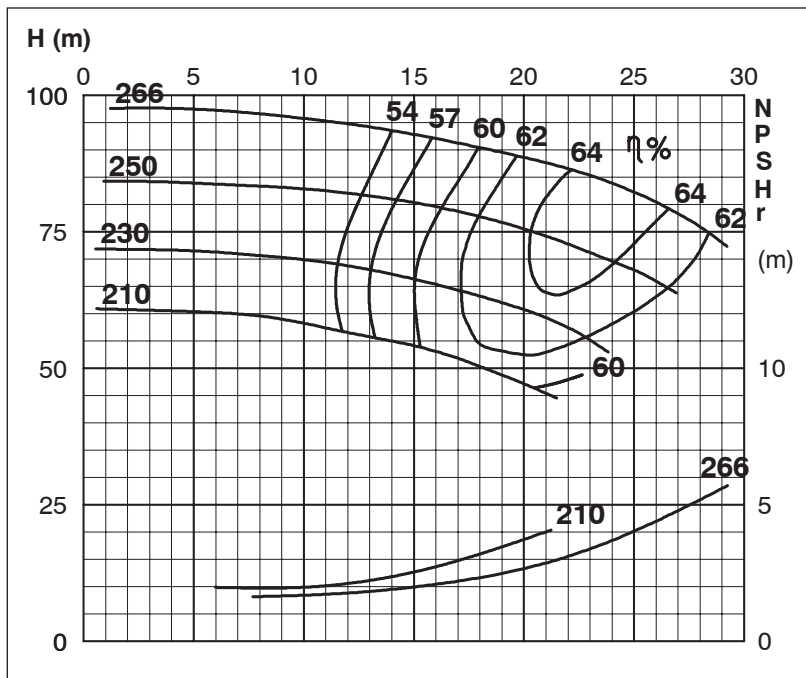
Exclusively Distributed by

# TECHNICAL SPECIFICATIONS

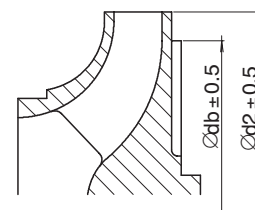
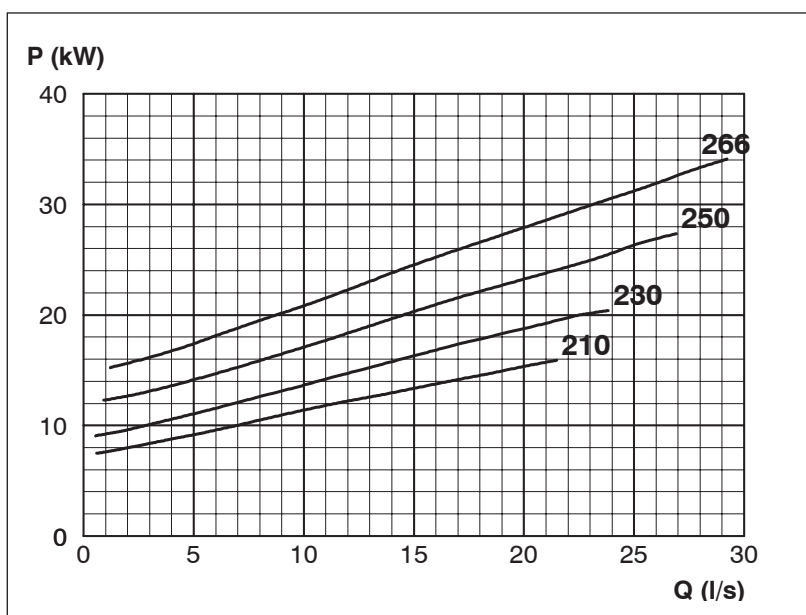
**Retroc-Fit** Pumps  
**ISP Process Pumps - ISP50-250**  
**ISP Impeller 283907 Closed B8 Z5**

### Performance Curve - ISP50-250-2940

2940 rpm



| Impeller Dia         |                      |
|----------------------|----------------------|
| Ød <sub>2</sub> (mm) | Ød <sub>b</sub> (mm) |
| 266                  | 194                  |
| 260                  | 190                  |
| 255                  | 187                  |
| 250                  | 184                  |
| 245                  | 182                  |
| 240                  | 179                  |
| 235                  | 177                  |
| 230                  | 175                  |
| 225                  | 174                  |
| 220                  | 172                  |
| 215                  | 170                  |
| 210                  | 168                  |



# Retro-Fit

Pumps

## TECHNICAL SPECIFICATIONS

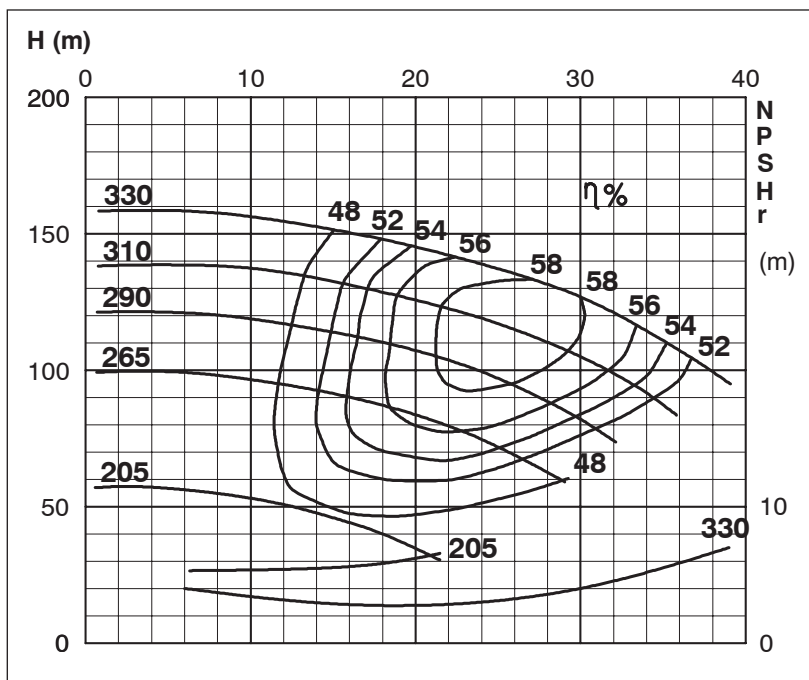
**Retro-Fit**  
Pumps

ISP Process Pumps - ISP50-315

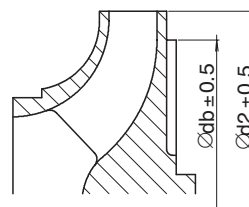
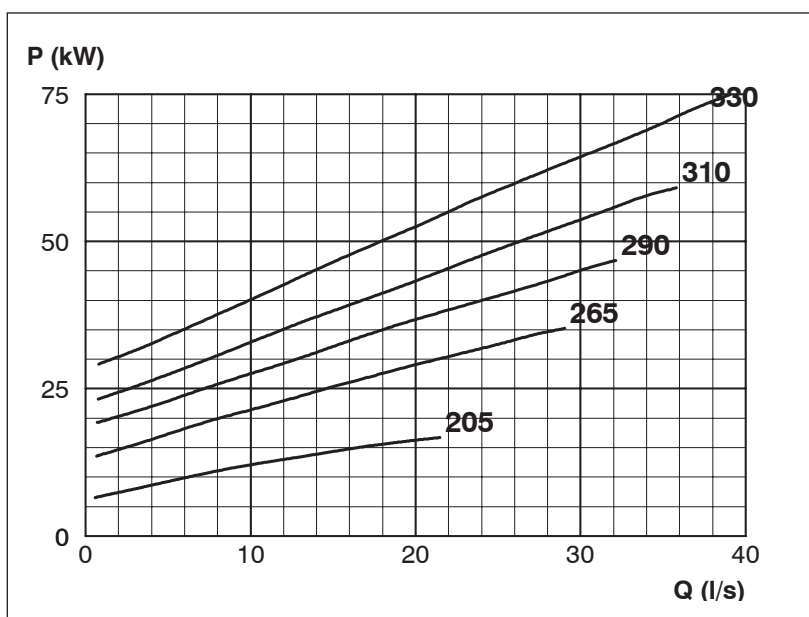
ISP Impeller 287017 Closed B6.5 Z5

Performance Curve - ISP50-315-2950

2950 rpm



| Impeller Dia           |                        |
|------------------------|------------------------|
| $\varnothing d_2$ (mm) | $\varnothing d_b$ (mm) |
| 330                    | 220                    |
| 325                    | 215                    |
| 320                    | 211                    |
| 315                    | 207                    |
| 310                    | 203                    |
| 305                    | 201                    |
| 300                    | 199                    |
| 295                    | 197                    |
| 290                    | 195                    |
| 285                    | 194                    |
| 280                    | 192                    |
| 275                    | 190                    |
| 270                    | 188                    |
| 265                    | 186                    |
| 260                    | 184                    |
| 255                    | 182                    |
| 250                    | 180                    |
| 245                    | 178                    |
| 240                    | 176                    |
| 235                    | 174                    |
| 230                    | 172                    |
| 225                    | 169                    |
| 220                    | 167                    |
| 215                    | 165                    |
| 210                    | 163                    |
| 205                    | 160                    |



MTP127

Exclusively Distributed by

# Retro-Fit

Pumps

## TECHNICAL SPECIFICATIONS

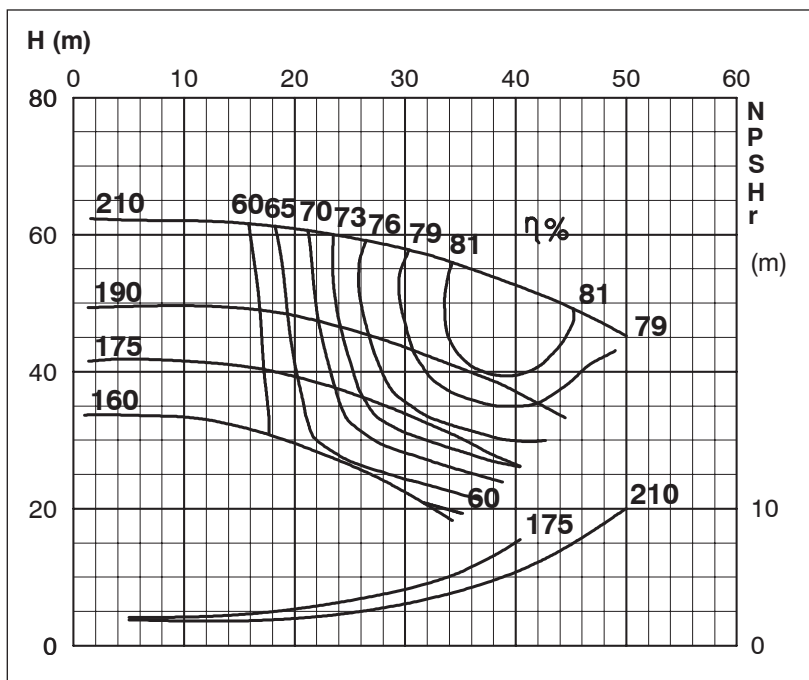
**Retro-Fit**  
Pumps

ISP Process Pumps - ISP65-200

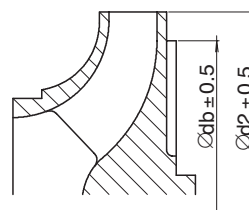
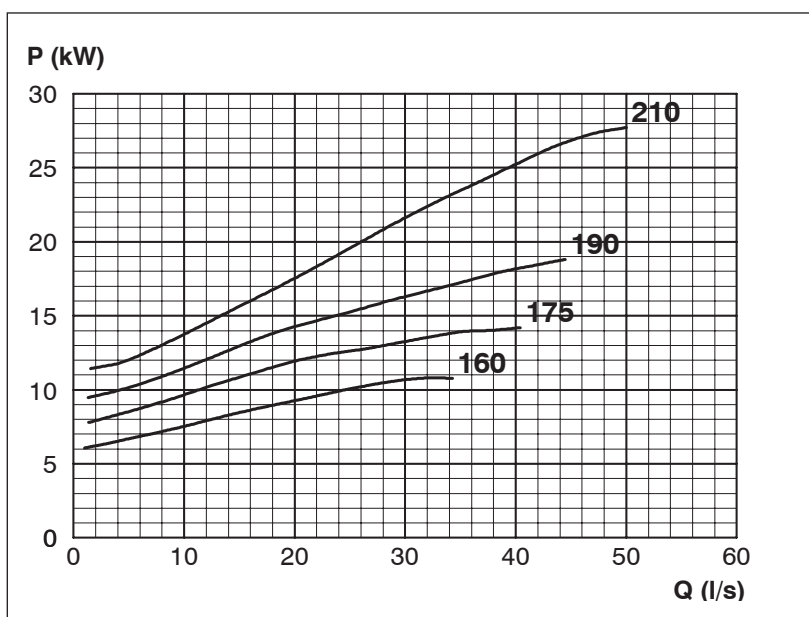
ISP Impeller 283905 Closed B16 Z6

Performance Curve - ISP65-200-2940

2940 rpm



| Impeller Dia           |                        |
|------------------------|------------------------|
| $\varnothing d_2$ (mm) | $\varnothing d_b$ (mm) |
| 210                    | 193                    |
| 205                    | 190                    |
| 200                    | 186                    |
| 195                    | 183                    |
| 190                    | 180                    |
| 185                    | 178                    |
| 180                    | 175                    |
| 175                    | 173                    |
| 170                    | 170                    |
| 165                    | 167                    |
| 160                    | 163                    |



MTP127

Exclusively Distributed by

# Retroc-Fit

Pumps

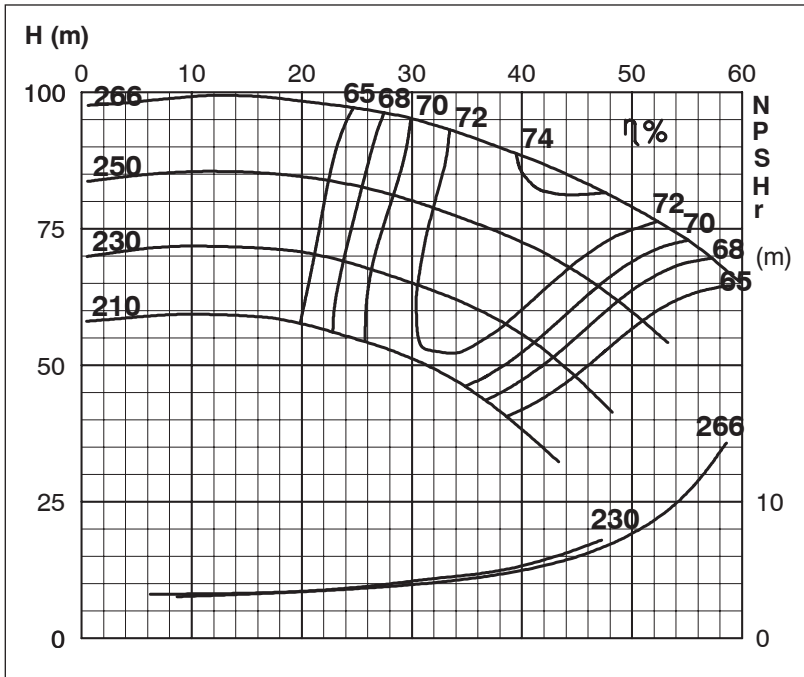
## TECHNICAL SPECIFICATIONS



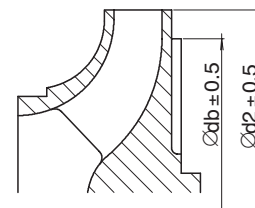
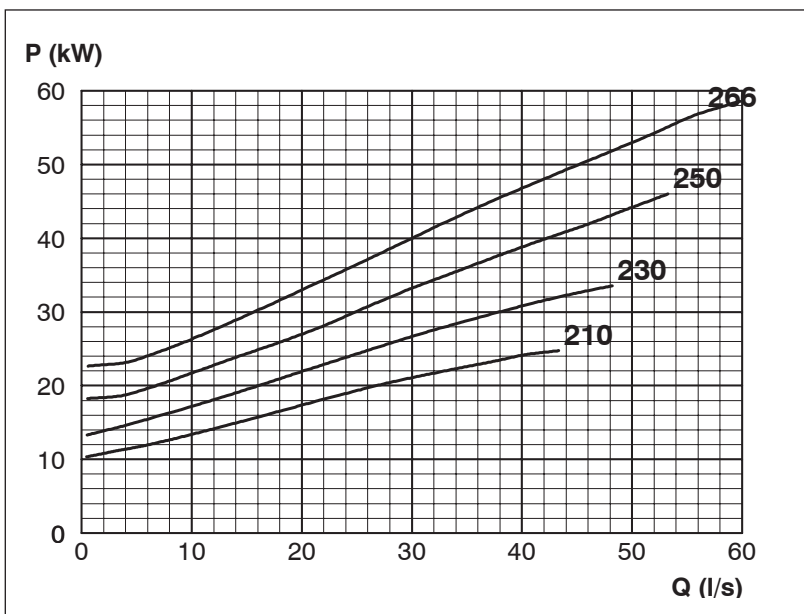
ISP Process Pumps - ISP65-250  
ISP Impeller 283908 Closed B12 Z5

### Performance Curve - ISP65-250-2950

2950 rpm



| Impeller Dia           |                        |
|------------------------|------------------------|
| $\varnothing d_2$ (mm) | $\varnothing d_b$ (mm) |
| 266                    | 215                    |
| 260                    | 210                    |
| 255                    | 207                    |
| 250                    | 204                    |
| 245                    | 201                    |
| 240                    | 198                    |
| 235                    | 197                    |
| 230                    | 195                    |
| 225                    | 193                    |
| 220                    | 190                    |
| 215                    | 188                    |
| 210                    | 186                    |



MTP127

# Retroc-Fit

Pumps

## TECHNICAL SPECIFICATIONS

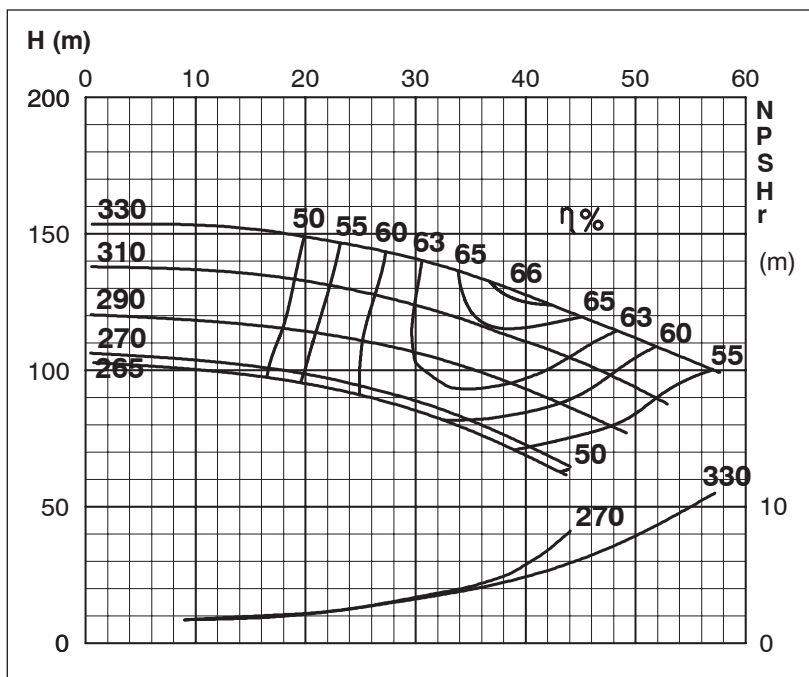
**Retroc-Fit**  
Pumps

ISP Process Pumps - ISP65-315

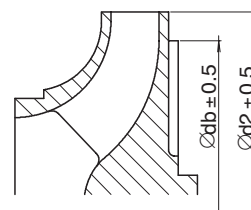
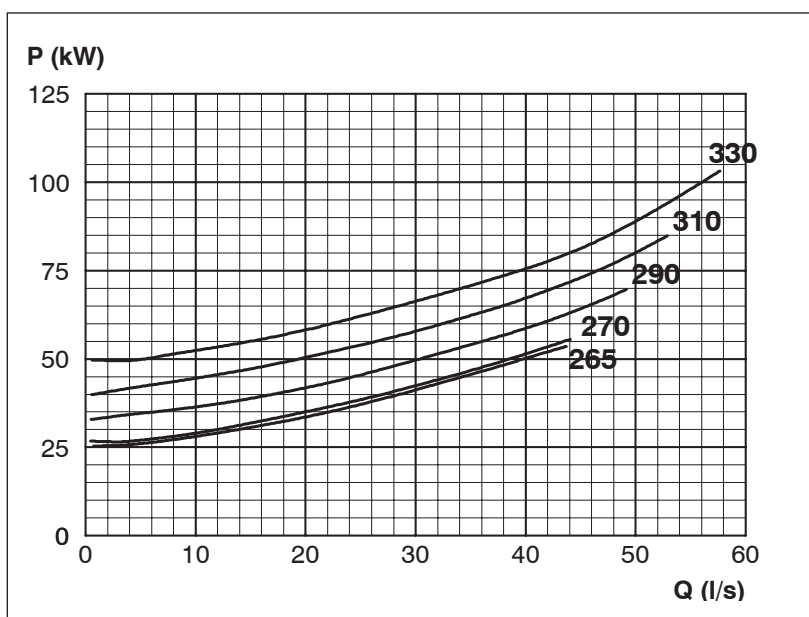
ISP Impeller 283913 Closed B9 Z5

Performance Curve - ISP65-315-2950

2950 rpm



| Impeller Dia           |                        |
|------------------------|------------------------|
| $\varnothing d_2$ (mm) | $\varnothing d_b$ (mm) |
| 330                    | 240                    |
| 325                    | 235                    |
| 320                    | 230                    |
| 315                    | 226                    |
| 310                    | 222                    |
| 305                    | 220                    |
| 300                    | 218                    |
| 295                    | 216                    |
| 290                    | 214                    |
| 285                    | 213                    |
| 280                    | 211                    |
| 275                    | 209                    |
| 270                    | 207                    |
| 265                    | 205                    |



MTP127

Exclusively Distributed by

# Retroc-Fit

Pumps

## TECHNICAL SPECIFICATIONS

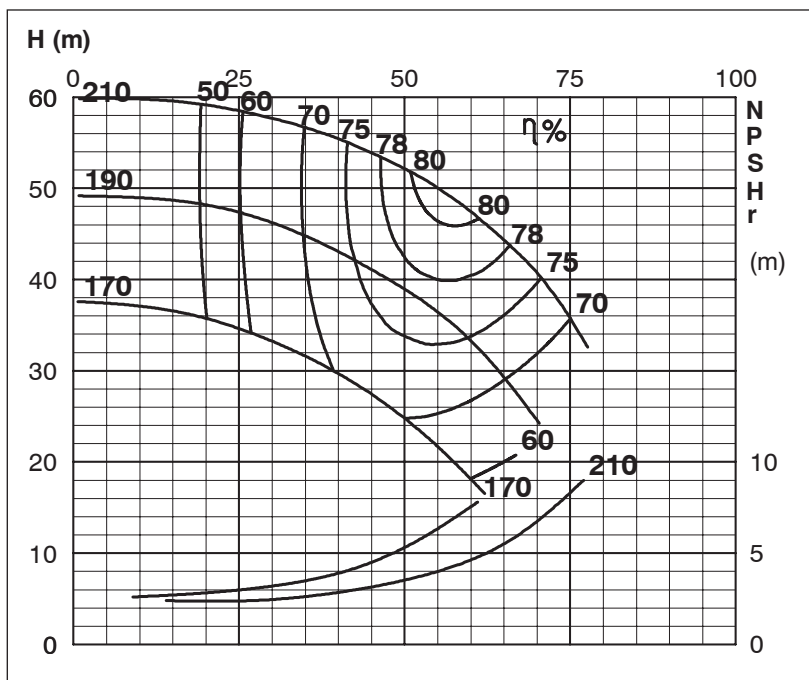
**Retroc-Fit**  
Pumps

ISP Process Pumps - ISP80-200

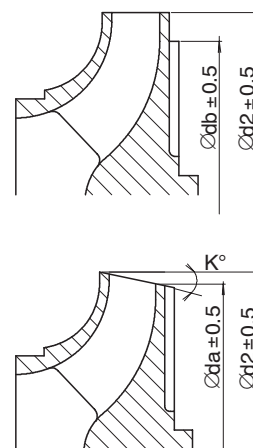
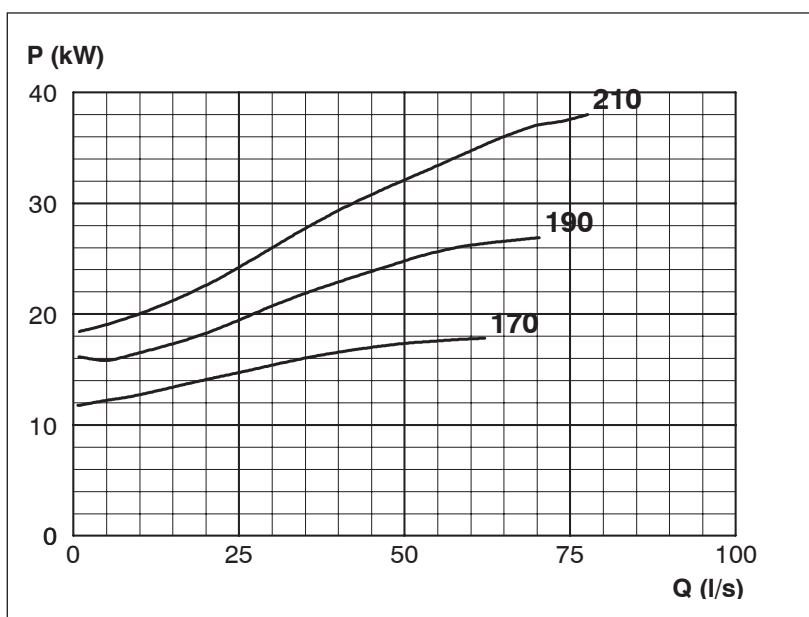
ISP Impeller 283906 Closed B23 Z6

Performance Curve - ISP80-200-2950

2950 rpm



| Impeller Dia         |    |                      |                      |
|----------------------|----|----------------------|----------------------|
| Ød <sub>2</sub> (mm) | K° | Ød <sub>b</sub> (mm) | Ød <sub>c</sub> (mm) |
| 210                  |    |                      | 207                  |
| 205                  |    |                      | 203                  |
| 200                  |    |                      | 198                  |
| 195                  |    |                      | 194                  |
| 190                  |    |                      |                      |
| 185                  |    |                      |                      |
| 180                  |    |                      |                      |
| 175                  |    |                      |                      |
| 173                  | 4  | 169.5                |                      |
| 170                  | 10 | 160.5                |                      |



MTP127

Exclusively Distributed by

[www.mtp.com.au](http://www.mtp.com.au) • [sales@mtp.com.au](mailto:sales@mtp.com.au) • 1800 733 687

MALCOLM THOMPSON  
PUMPS

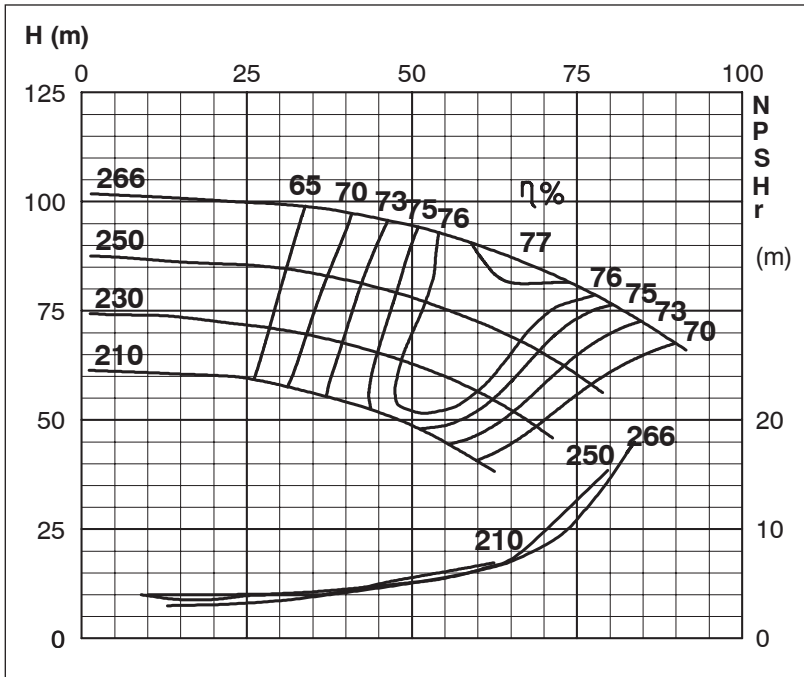
# TECHNICAL SPECIFICATIONS



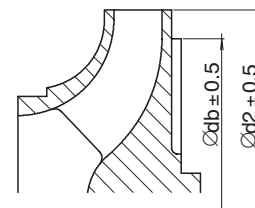
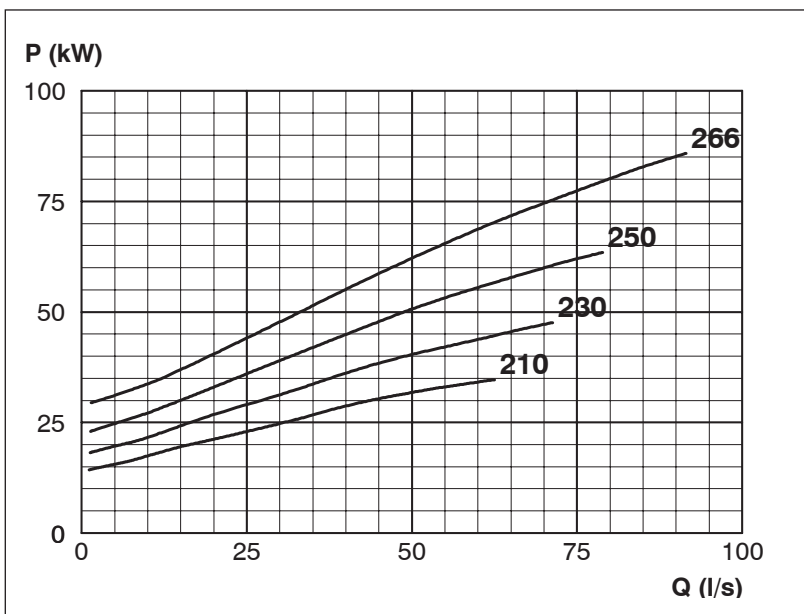
ISP Process Pumps - ISP80-250  
ISP Impeller 283909 Closed B18 Z6

### Performance Curve - ISP80-250-2950

2950 rpm



| Impeller Dia         |                      |
|----------------------|----------------------|
| Ød <sub>2</sub> (mm) | Ød <sub>b</sub> (mm) |
| 266                  | 238                  |
| 260                  | 230                  |
| 255                  | 227                  |
| 250                  | 223                  |
| 245                  | 220                  |
| 240                  | 216                  |
| 235                  | 214                  |
| 230                  | 211                  |
| 225                  | 209                  |
| 220                  | 206                  |
| 215                  | 204                  |
| 210                  | 201                  |



# Retro-Fit

Pumps

## TECHNICAL SPECIFICATIONS

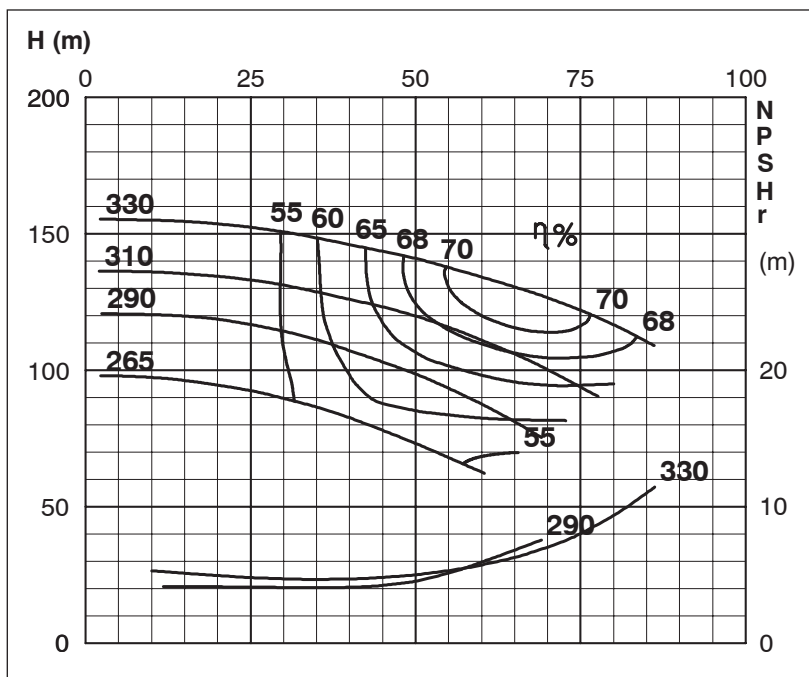
**Retro-Fit**  
Pumps

ISP Process Pumps - ISP80-315

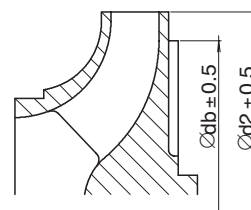
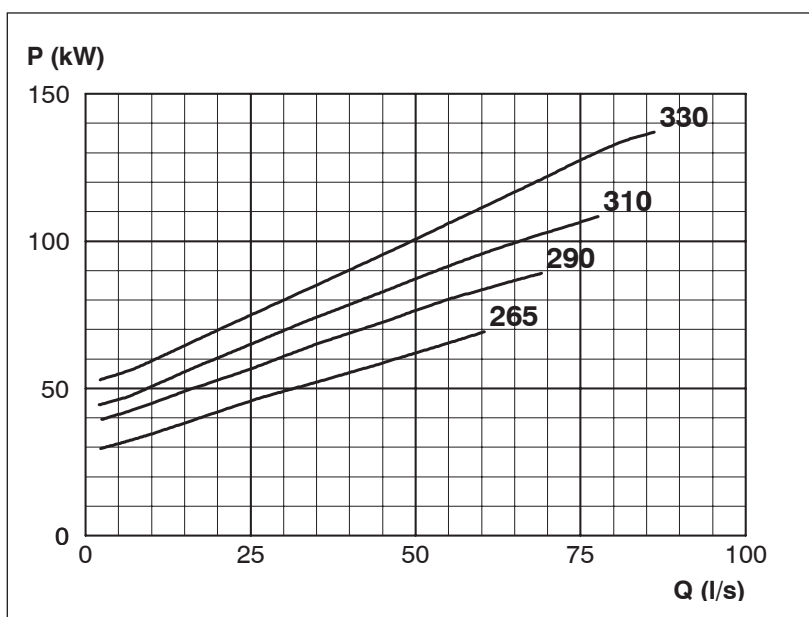
ISP Impeller 283914 Closed B13 Z5

### Performance Curve - ISP80-315-2950

2950 rpm



| Impeller Dia         |                      |
|----------------------|----------------------|
| Ød <sub>2</sub> (mm) | Ød <sub>b</sub> (mm) |
| 330                  | 260                  |
| 325                  | 256                  |
| 320                  | 251                  |
| 315                  | 248                  |
| 310                  | 245                  |
| 305                  | 242                  |
| 300                  | 239                  |
| 295                  | 237                  |
| 290                  | 234                  |
| 285                  | 232                  |
| 280                  | 230                  |
| 275                  | 228                  |
| 270                  | 226                  |
| 265                  | 224                  |



MTP127

Exclusively Distributed by

# Retroc-Fit

Pumps

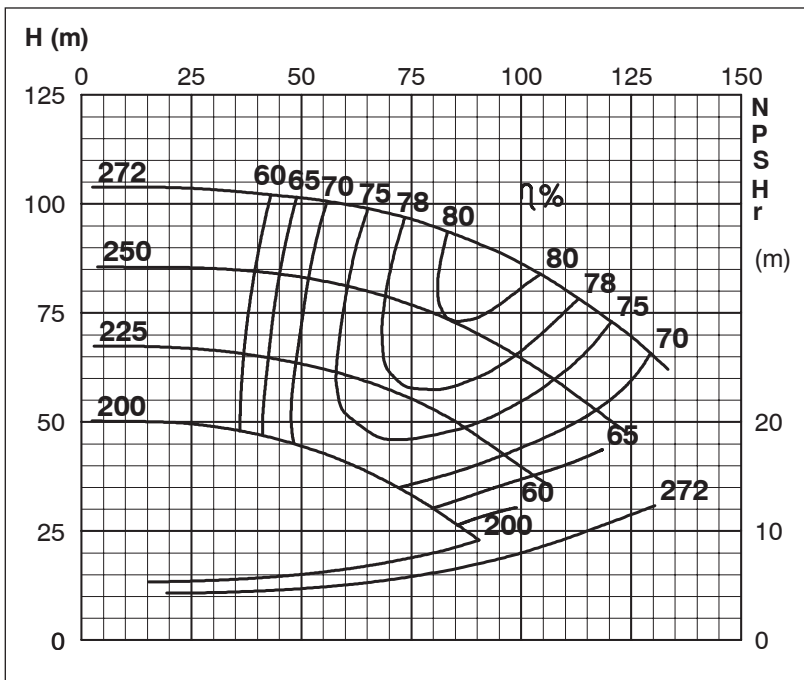
## TECHNICAL SPECIFICATIONS



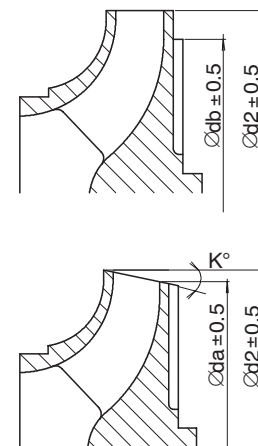
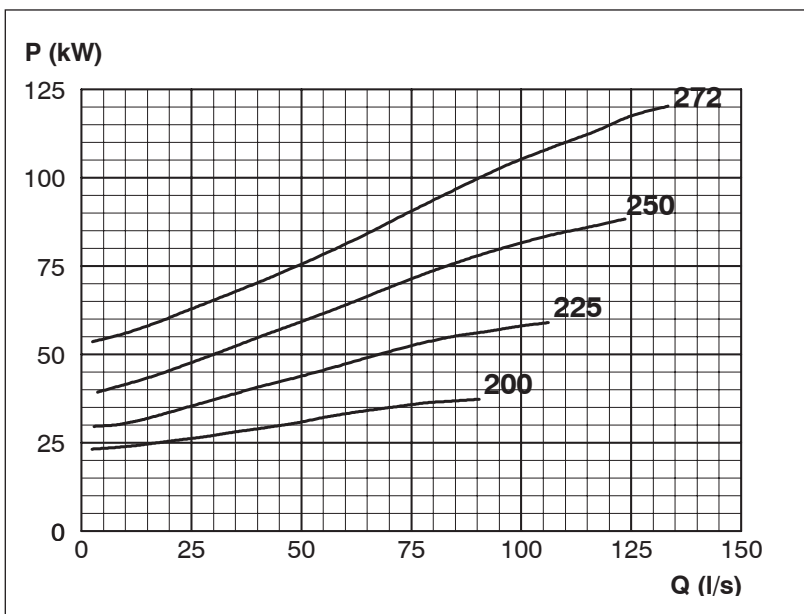
ISP Process Pumps - ISP100-250  
ISP Impeller 283910 Closed B25 Z6

Performance Curve - ISP100-250-2950

2950 rpm



| Impeller Dia         |    |                      |                      |
|----------------------|----|----------------------|----------------------|
| Ød <sub>2</sub> (mm) | K° | Ød <sub>a</sub> (mm) | Ød <sub>b</sub> (mm) |
| 272                  |    |                      | 252                  |
| 265                  |    |                      | 248                  |
| 260                  |    |                      | 242                  |
| 255                  |    |                      | 240                  |
| 250                  |    |                      | 237                  |
| 245                  |    |                      | 235                  |
| 240                  |    |                      | 232                  |
| 235                  |    |                      | 230                  |
| 230                  | 4  | 226.3                |                      |
| 225                  | 4  | 221.2                |                      |
| 220                  | 6  | 214.3                |                      |
| 215                  | 6  | 209.2                |                      |
| 210                  | 8  | 202.1                |                      |
| 205                  | 9  | 195                  |                      |
| 200                  | 10 | 189                  |                      |



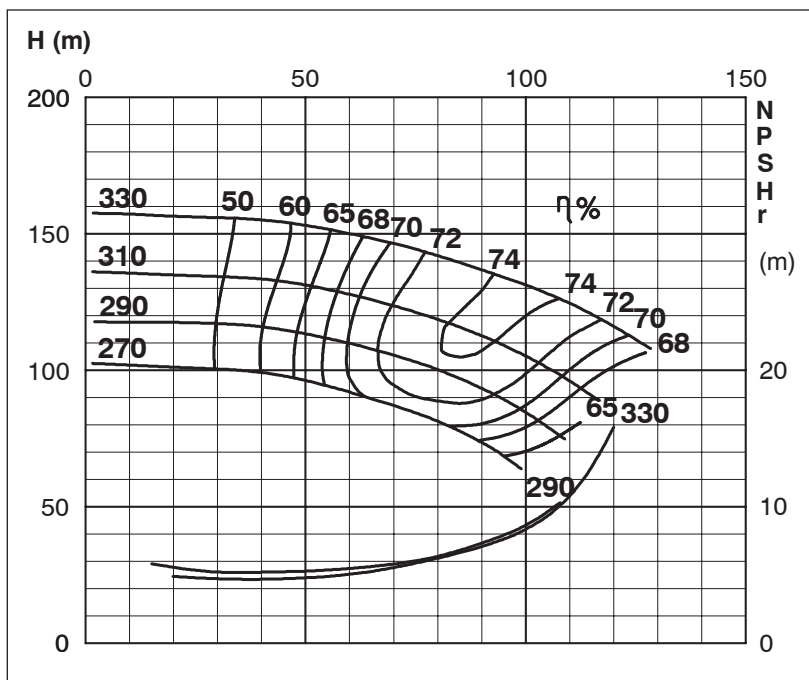
MTP127

Exclusively Distributed by

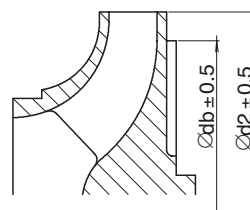
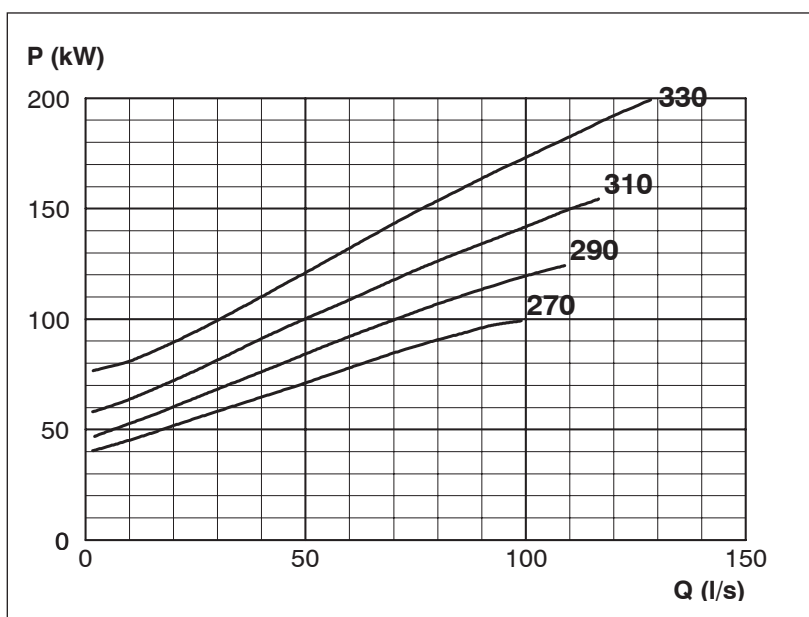
# TECHNICAL SPECIFICATIONS

#### Performance Curve - ISP100-315-2950

2950 rpm



| Impeller Dia         |                      |
|----------------------|----------------------|
| Ød <sub>2</sub> (mm) | Ød <sub>b</sub> (mm) |
| 330                  | 278                  |
| 325                  | 274                  |
| 320                  | 270                  |
| 315                  | 268                  |
| 310                  | 265                  |
| 305                  | 262                  |
| 300                  | 259                  |
| 295                  | 257                  |
| 290                  | 255                  |
| 285                  | 252                  |
| 280                  | 249                  |
| 275                  | 247                  |
| 270                  | 244                  |



# Retroc-Fit

Pumps

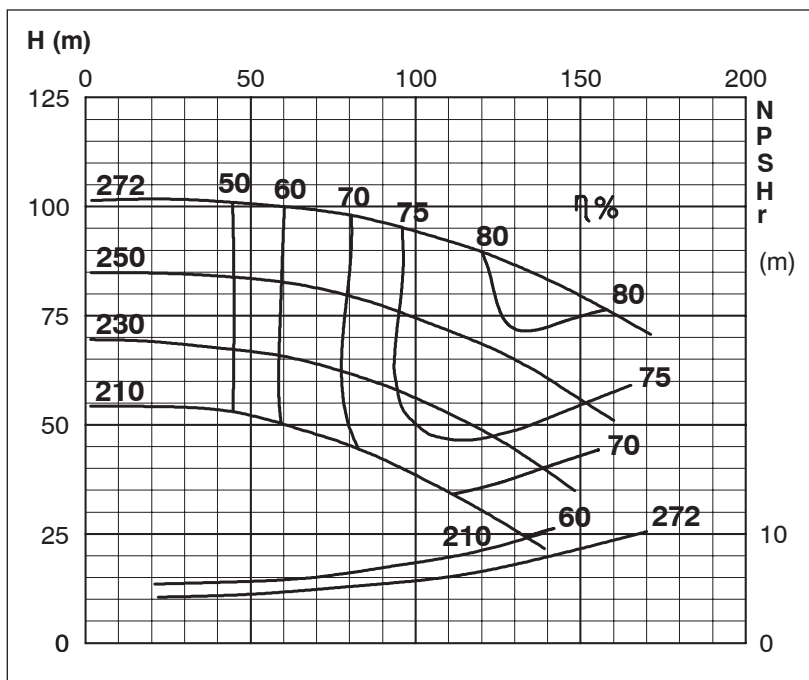
## TECHNICAL SPECIFICATIONS

Retroc-Fit  
Pumps

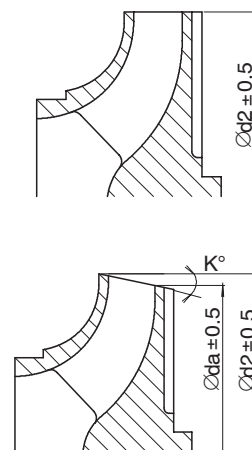
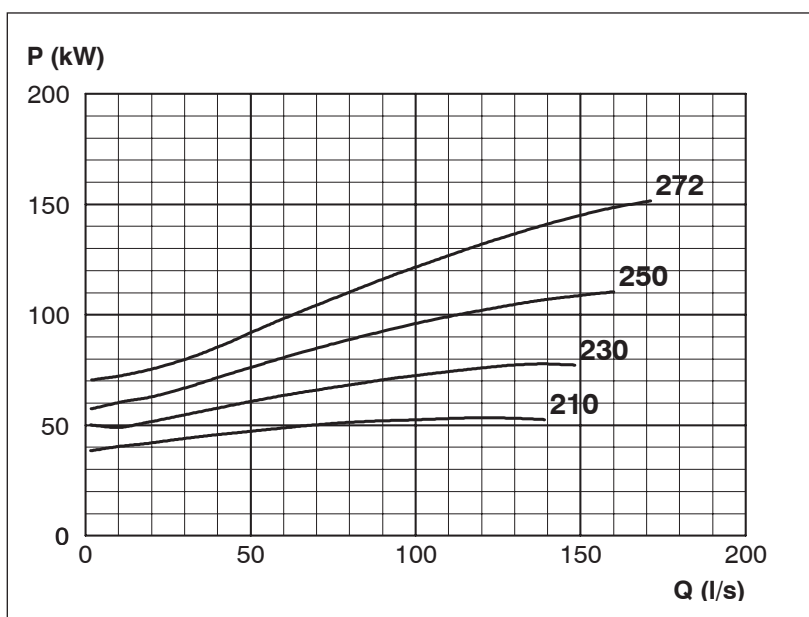
ISP Process Pumps - ISP125-250  
ISP Impeller 283911 Closed B32 Z6

Performance Curve - ISP125-250-2970

2970 rpm



| Impeller Dia         |    |                      |
|----------------------|----|----------------------|
| Ød <sub>2</sub> (mm) | K° | Ød <sub>a</sub> (mm) |
| 272                  |    |                      |
| 265                  |    |                      |
| 260                  |    |                      |
| 255                  |    |                      |
| 250                  |    |                      |
| 245                  | 4  | 240.2                |
| 240                  | 6  | 232.9                |
| 235                  | 6  | 227.7                |
| 230                  | 8  | 220.2                |
| 225                  | 8  | 215.2                |
| 220                  | 10 | 207.5                |
| 215                  | 10 | 202.3                |
| 210                  | 12 | 194.3                |



MTP127

Exclusively Distributed by

# Retroc-Fit

Pumps

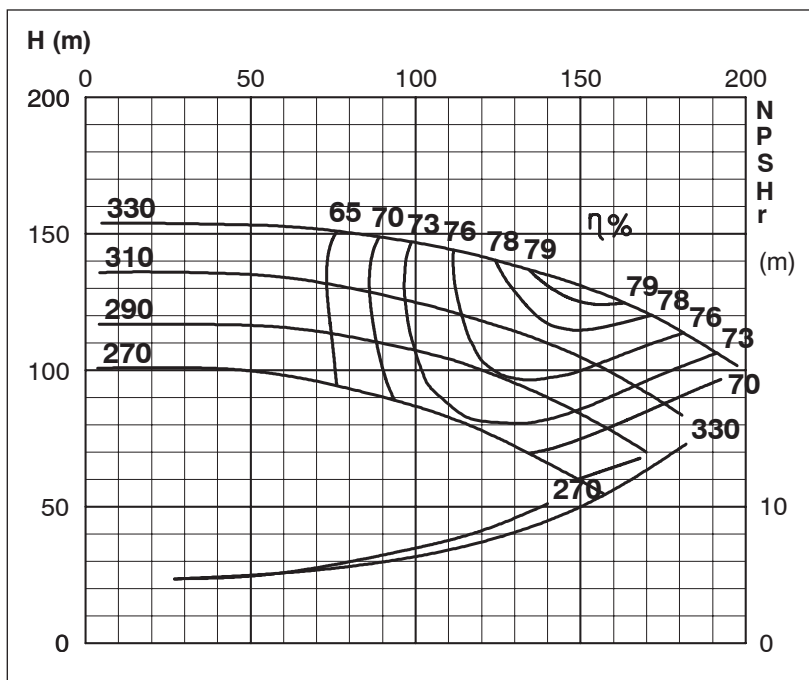
## TECHNICAL SPECIFICATIONS

Retroc-Fit  
Pumps

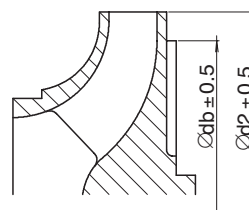
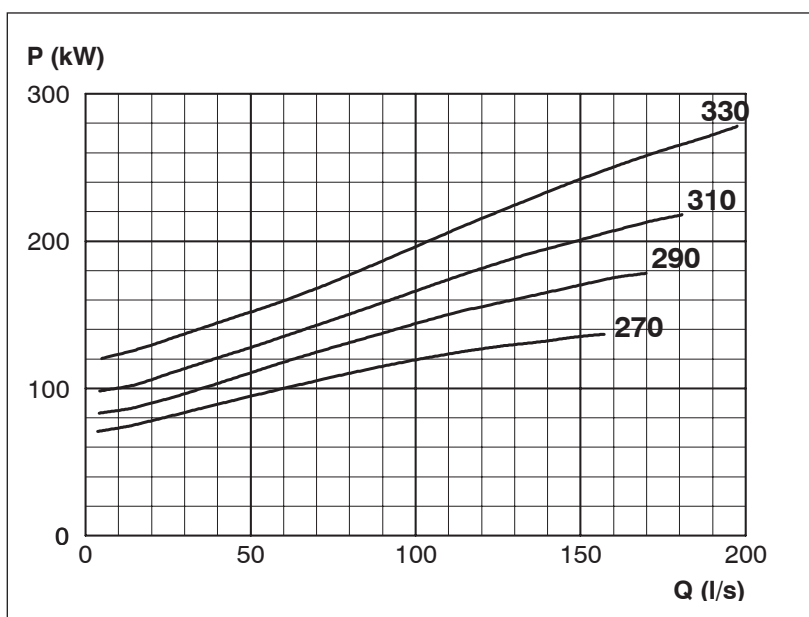
ISP Process Pumps - ISP125-315  
ISP Impeller 283916 Closed B26 Z6

Performance Curve - ISP125-315-2960

2960 rpm



| Impeller Dia         |                      |
|----------------------|----------------------|
| Ød <sub>2</sub> (mm) | Ød <sub>b</sub> (mm) |
| 330                  | 303                  |
| 325                  | 299                  |
| 320                  | 294                  |
| 315                  | 291                  |
| 310                  | 287                  |
| 305                  | 284                  |
| 300                  | 280                  |
| 295                  | 278                  |
| 290                  | 275                  |
| 285                  | 273                  |
| 280                  | 271                  |
| 275                  | 268                  |
| 270                  | 265                  |



MTP127

Exclusively Distributed by