

Retroc-Fit

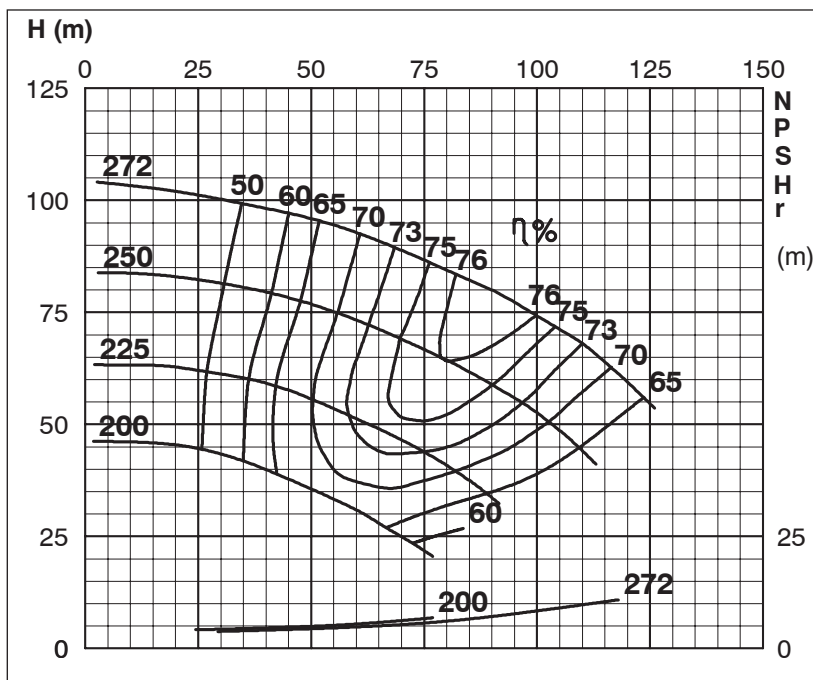
Pumps

TECHNICAL SPECIFICATIONS

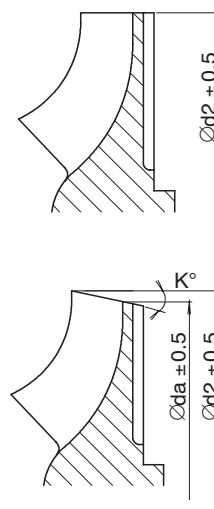
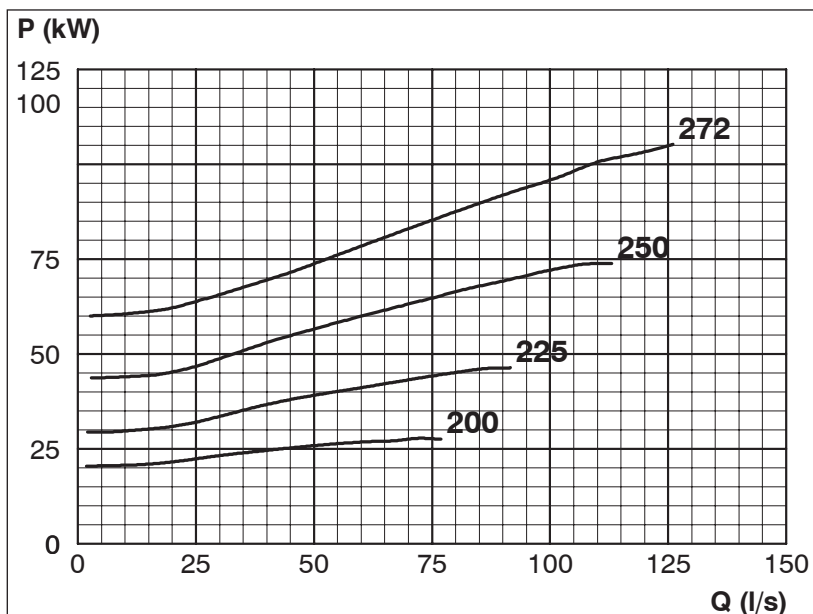
Retroc-Fit Pumps
ISP Process Pumps - ISP100-250
ISP Impeller 283875 Open B32 Z4

Performance Curve - ISP100-250-2950

2950 rpm



Impeller Dia		
$\text{\O}d_2$ (mm)	K°	$\text{\O}d_a$ (mm)
272		
265		
260		
255		
250		
245		
240		
235		
230	4	225.2
225	4	220.2
220	6	212.8
215	6	207.6
210	8	200.2
205	9	193.7
200	10	187.5



MTP127

Exclusively Distributed by

www.mtp.com.au • sales@mtp.com.au • 1800 733 687

MALCOLM THOMPSON
PUMPS