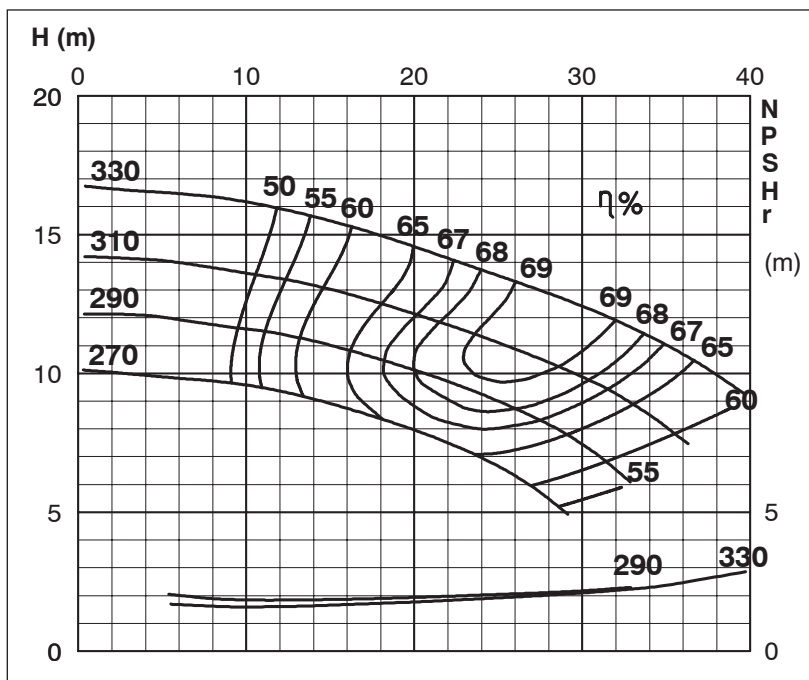


TECHNICAL SPECIFICATIONS

Retroc-Fit Pumps
ISP Process Pumps - ISP100-315 (125-100-315)
ISP Impeller 283880 Open B24 Z4

Performance Curve - ISP100-315-O-960

960 rpm



Impeller Dia
Ød ₂ (mm)
330
325
320
315
310
305
300
295
290
285
280
275
270

