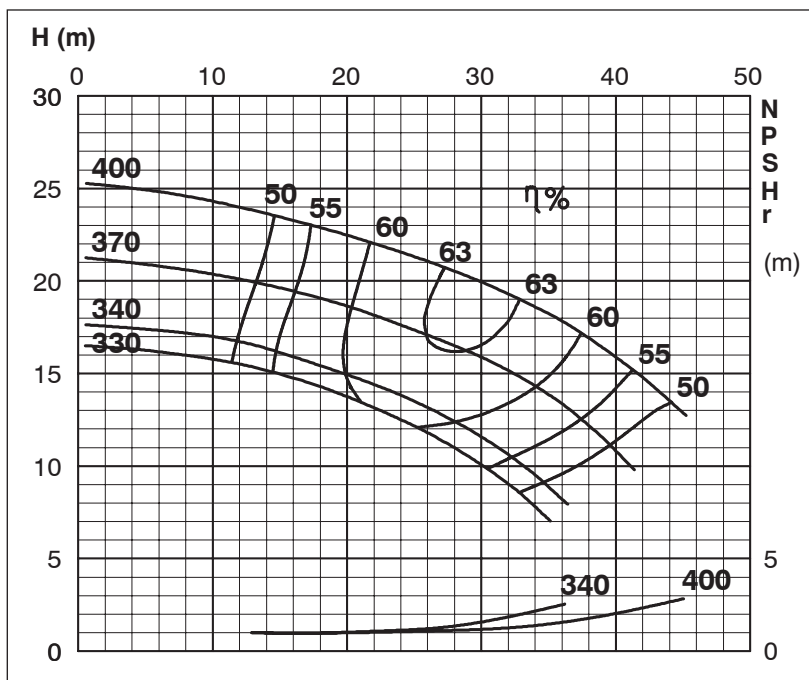


TECHNICAL SPECIFICATIONS

Retro-Fit Pumps ISP Process Pumps - ISP100-400 (125-100-400)
ISP Impeller 283882 Open B18 Z4

Performance Curve - ISP100-400-O-960

960 rpm



Impeller Dia
Ød ₂ (mm)
400
395
390
385
380
375
370
365
360
355
350
345
340
335
330

