

Retroc-Fit

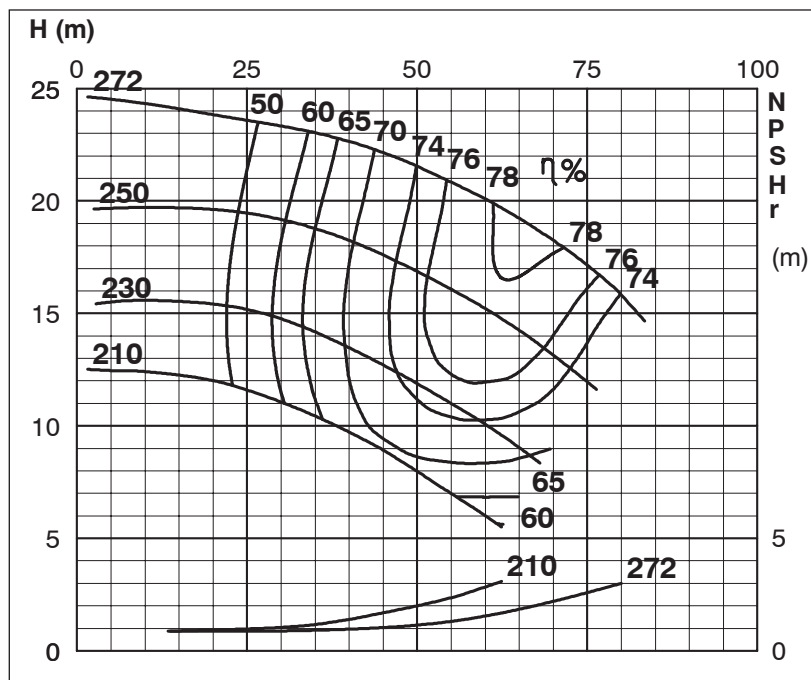
Pumps

TECHNICAL SPECIFICATIONS

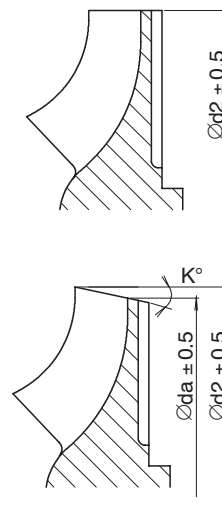
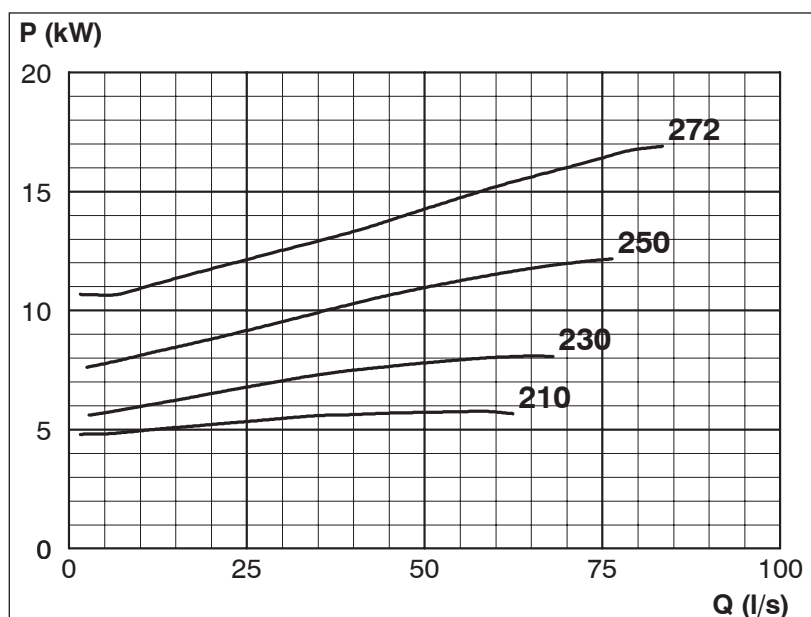
Retroc-Fit Pumps
ISP Process Pumps - ISP125-250
ISP Impeller 283876 Open B36 Z5

Performance Curve - ISP125-250-1460

1460 rpm



Impeller Dia		
Ød ₂ (mm)	K°	Ød _a (mm)
272		
265		
260		
255		
250		
245	4	239.8
240	6	232.1
235	6	227.0
230	8	219.1
225	8	213.9
220	10	205.9
215	10	200.7
210	12	192.6



MTP127