

# Retroc-Fit

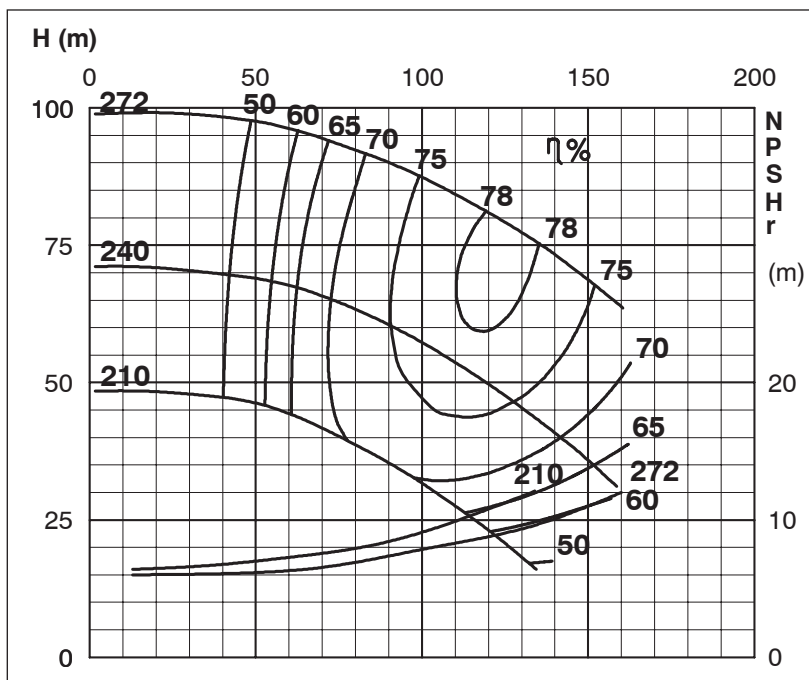
Pumps

## TECHNICAL SPECIFICATIONS

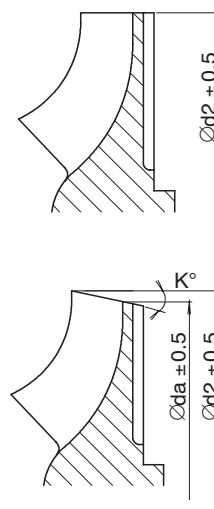
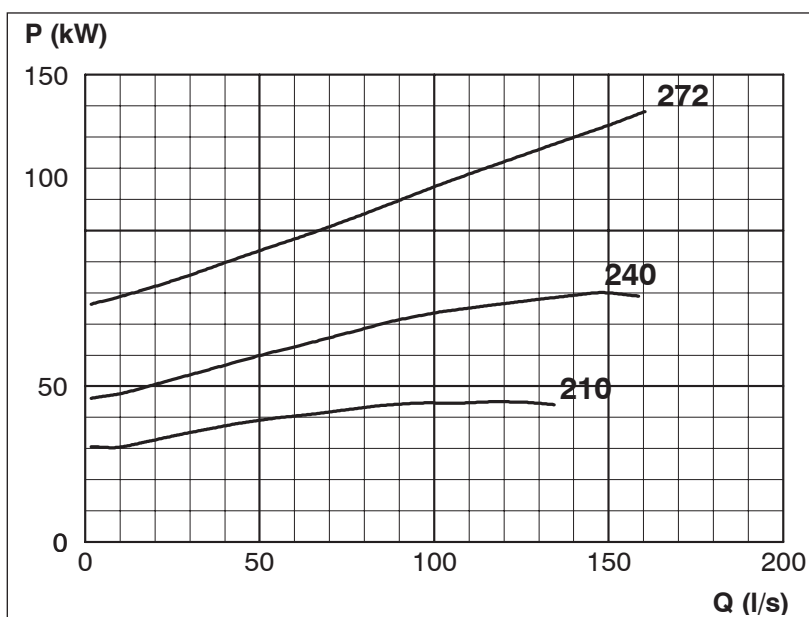
**Retroc-Fit** Pumps  
**ISP Process Pumps - ISP125-250**  
**ISP Impeller 283876 Open B36 Z5**

Performance Curve - ISP125-250-2970

2970 rpm



Impeller Dia		
Ød <sub>2</sub> (mm)	K°	Ød <sub>a</sub> (mm)
272		
265		
260		
255		
250		
245	4	239.8
240	6	232.1
235	6	227.0
230	8	219.1
225	8	213.9
220	10	205.9
215	10	200.7
210	12	192.6



MTP127