

Retroc-Fit

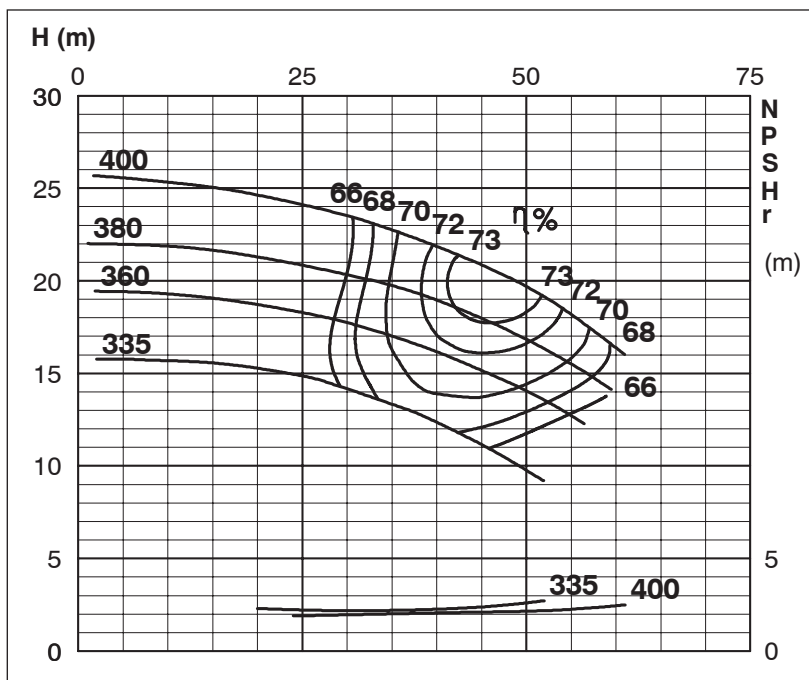
Pumps

TECHNICAL SPECIFICATIONS

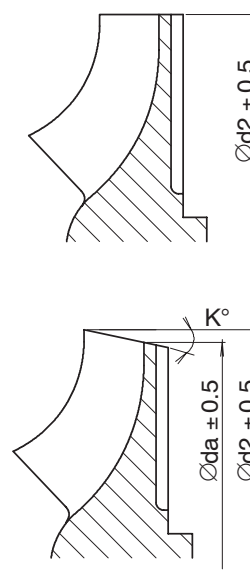
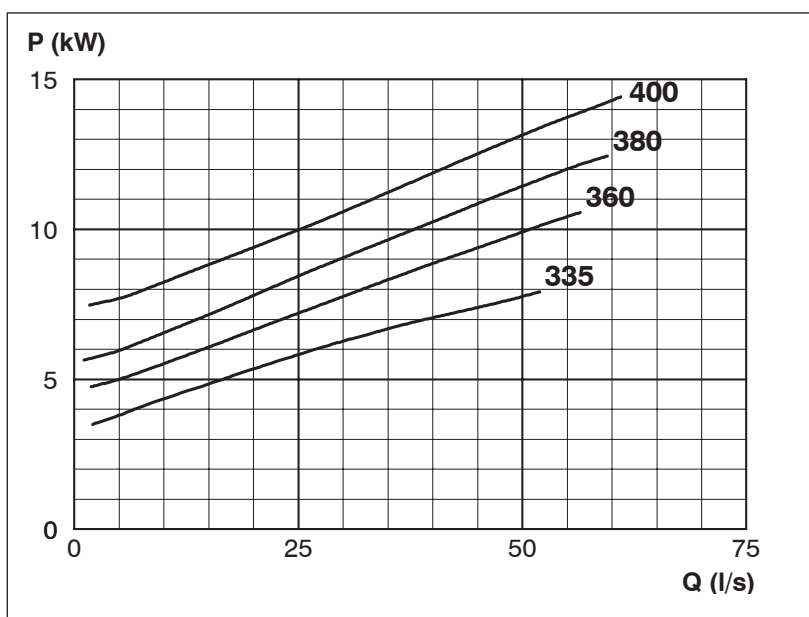
Retroc-Fit Pumps **ISP Process Pumps - ISP125-400 (150-125-400)**
ISP Impeller 283883 Open B29 Z4

Performance Curve - ISP125-400-O-980

980 rpm



Impeller Dia		
Ød ₂ (mm)	K°	Øda (mm)
400		
395		
390	1	389
385	2	382.5
380	3	375
375	3	372
370	4	366
365	4	361
360	5	354
355	6	348
350	8	341
345	9	334.5
340	10	329
335	11	322.5



MTP127

Exclusively Distributed by