

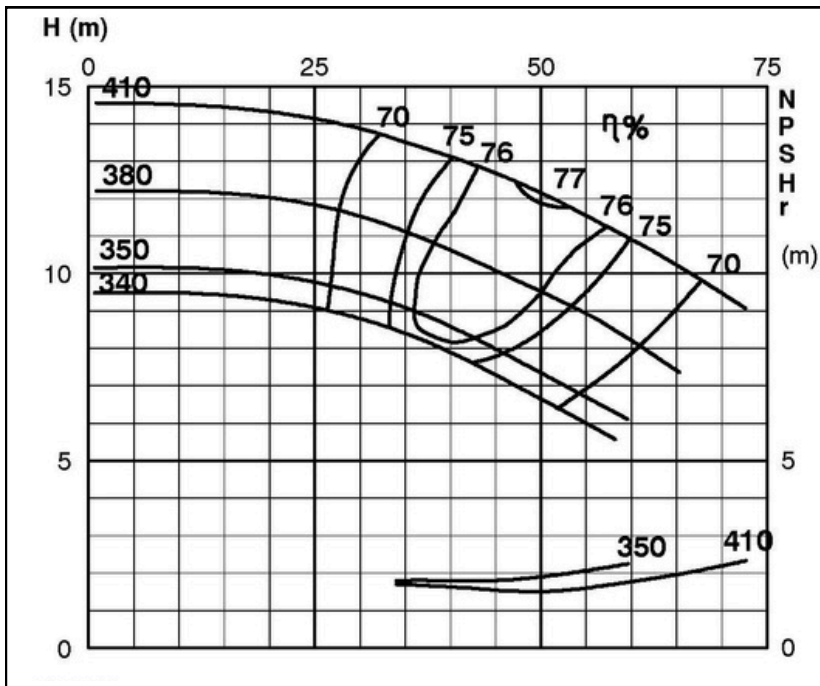
## TECHNICAL SPECIFICATIONS



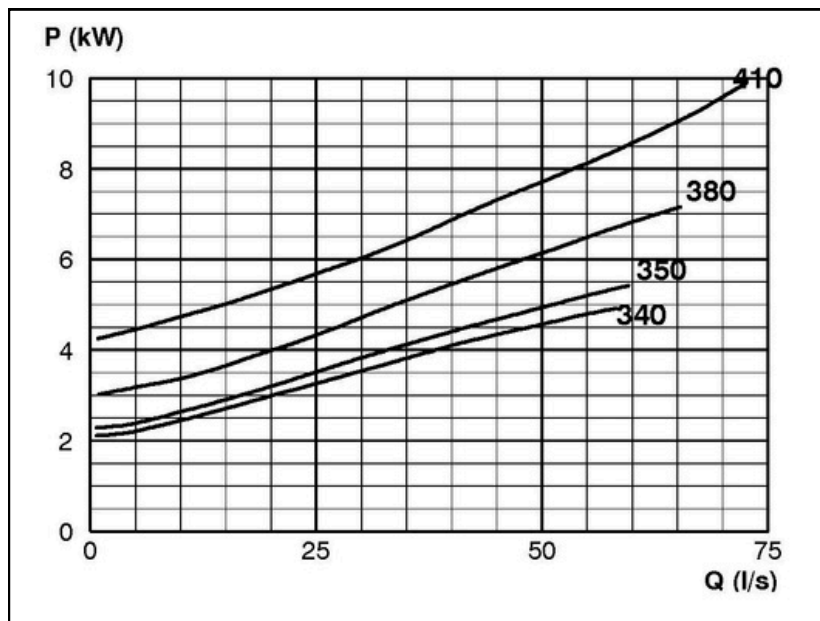
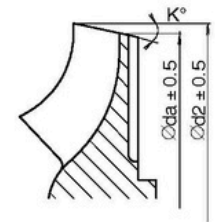
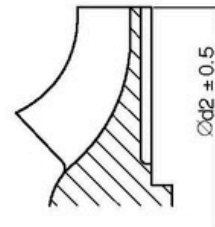
### ISP Process Pumps - ISP150-400 (200-150-400) ISP Impeller 283890 OPEN B26 Z5

#### Performance Curve - ISP150-400-O-730

730 rpm



IMPELLER DIA		
∅d <sub>2</sub> (mm)	K°	∅d <sub>a</sub> (mm)
410		
405		
400		
395		
390		
385		
380	1	379
375	2	373
370	3	367
365	4	361
360	5	355
355	6	349
350	7	343
345	7	338
340	8	332



RET13923