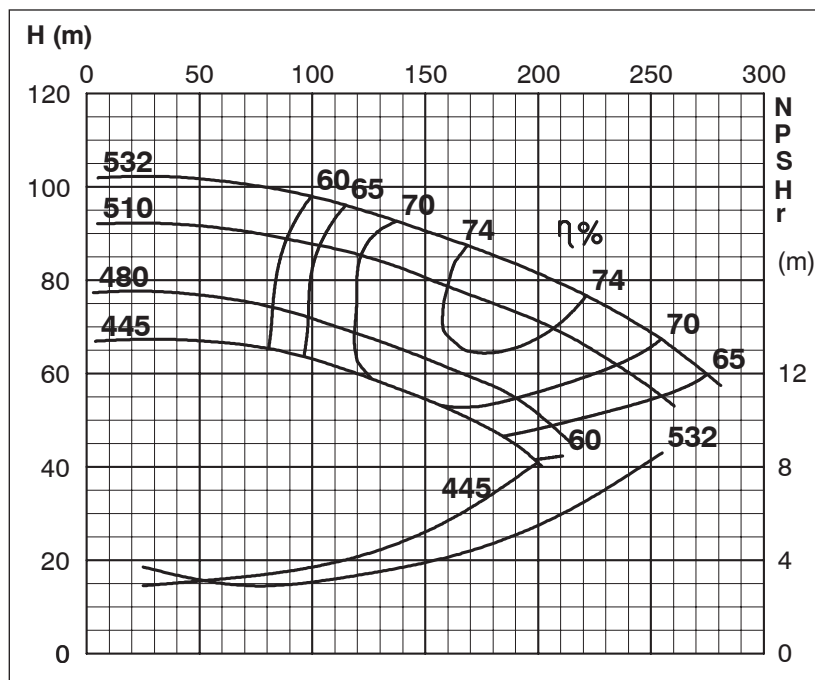


TECHNICAL SPECIFICATIONS

Retroc-Fit Pumps
ISP Process Pumps - ISP150-500
ISP Impeller 283896 Open B40 Z4

Performance Curve - ISP150-500-1480

1480 rpm



Impeller Dia
Ød ₂ (mm)
532
525
520
515
510
505
500
495
490
485
480
475
470
465
460
455
450
445

