

# Retroc-Fit

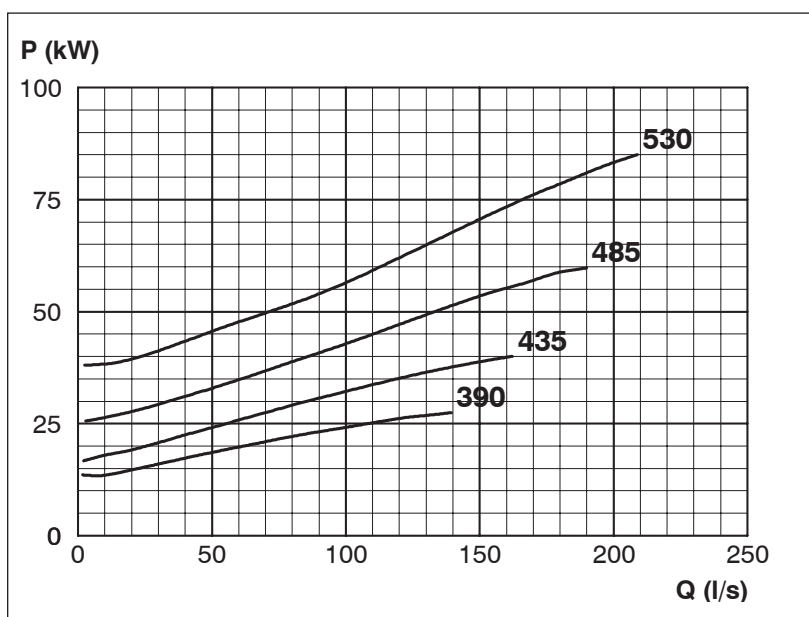
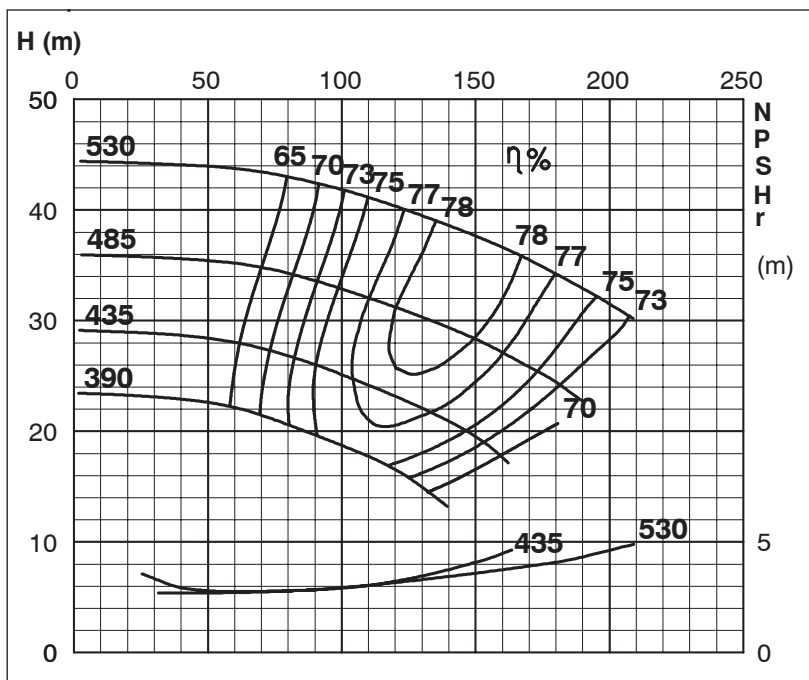
Pumps

## TECHNICAL SPECIFICATIONS

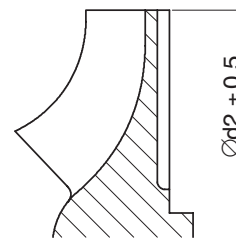
**Retroc-Fit** Pumps **ISP Process Pumps - ISP200-500 (250-200-500)**  
**ISP Impeller 283897 Open B35 Z5**

Performance Curve - ISP200-500-O-980

980 rpm



| Impeller Dia         |
|----------------------|
| Ød <sub>2</sub> (mm) |
| 530                  |
| 525                  |
| 520                  |
| 515                  |
| 510                  |
| 505                  |
| 500                  |
| 495                  |
| 490                  |
| 485                  |
| 480                  |
| 475                  |
| 470                  |
| 465                  |
| 460                  |
| 455                  |
| 450                  |
| 445                  |
| 440                  |
| 435                  |
| 430                  |
| 425                  |
| 420                  |
| 415                  |
| 410                  |
| 405                  |
| 400                  |
| 395                  |
| 390                  |



MTP127