

Retroc-Fit

Pumps

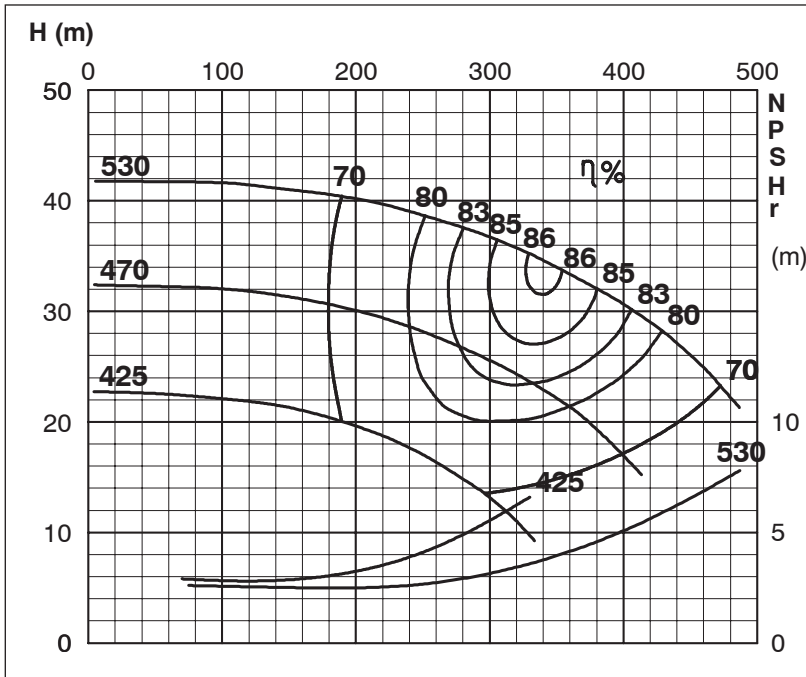
TECHNICAL SPECIFICATIONS



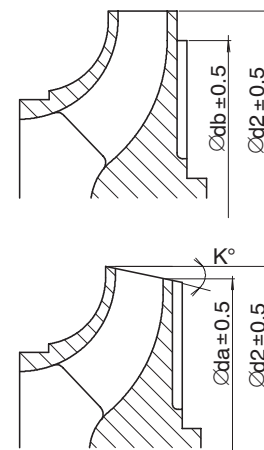
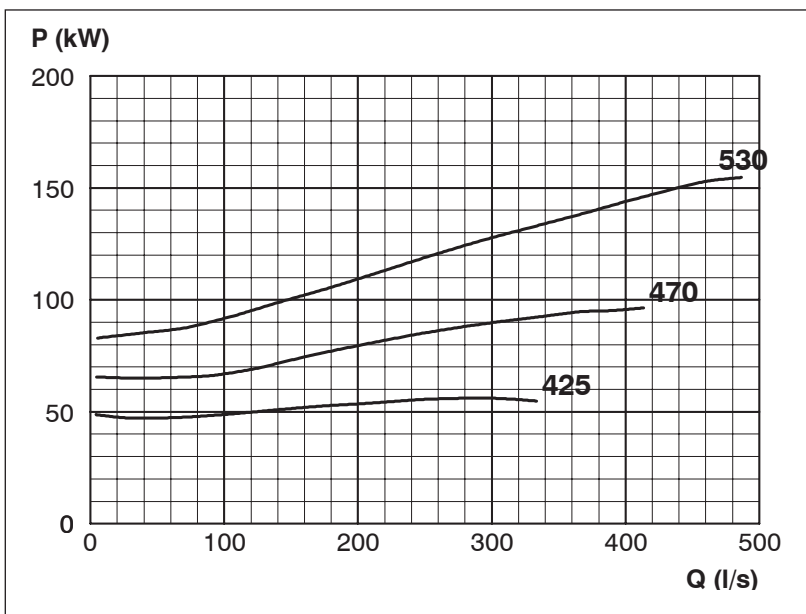
ISP Process Pumps - ISP300-500
ISP Impeller 283934 Closed B64 Z6

Performance Curve - ISP300-500-980

980 rpm



Impeller Dia			
Ød ₂ (mm)	K°	Ød _a (mm)	Ød _b (mm)
530			522
525			519
520			516
515			513
510			
505			
500			
495			
490			
485			
480			
475			
470			
465	1	463.0	
460	2	455.0	
455	3	448.0	
450	4	440.0	
445	5	432.0	
440	6	425.0	
435	7	417.0	
430	8	409.0	
425	10	399.0	



MTP127