

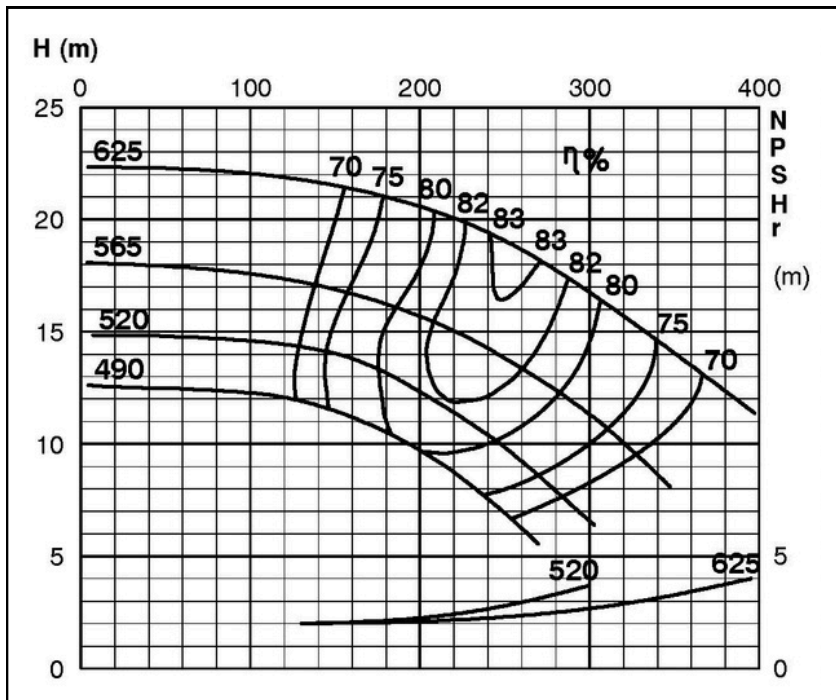
## TECHNICAL SPECIFICATIONS



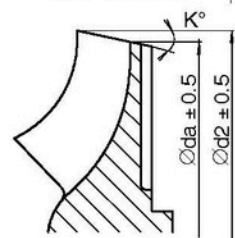
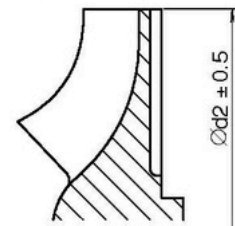
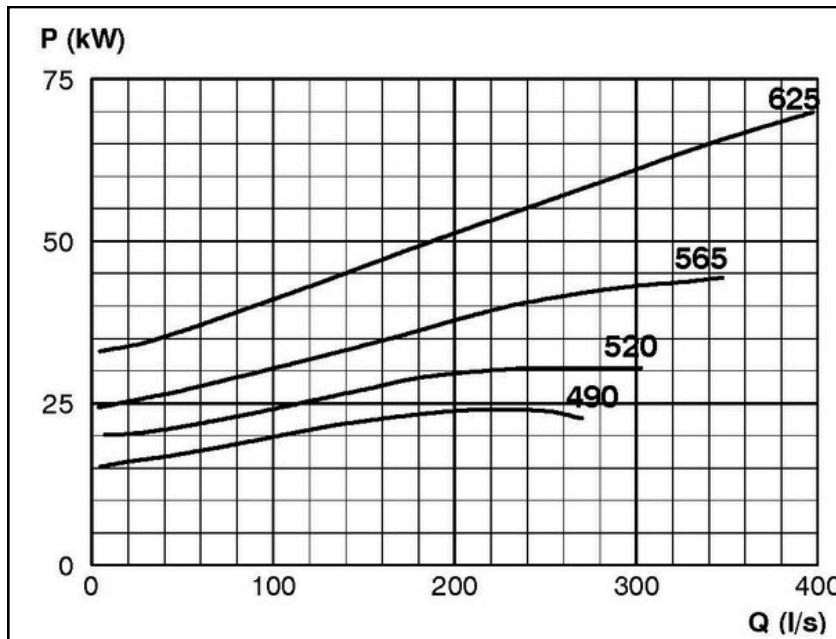
### ISP Process Pumps - ISP300-600 (400-300-600) ISP Impeller 283940 OPEN B67 Z5

#### Performance Curve - ISP300-600-O-590

590 rpm



IMPELLER DIA		
∅d <sub>2</sub> (mm)	K°	∅d <sub>a</sub> (mm)
625		
620		
615		
610		
605		
600		
595		
590		
585		
580		
575		
570		
565		
560		
555		
550		
545		
540		
535		
530		
525	1	522
520	2	515
515	3	507
510	4	501
505	4.5	493
500	5	486
495	5.5	479
490	6	473



RET13953