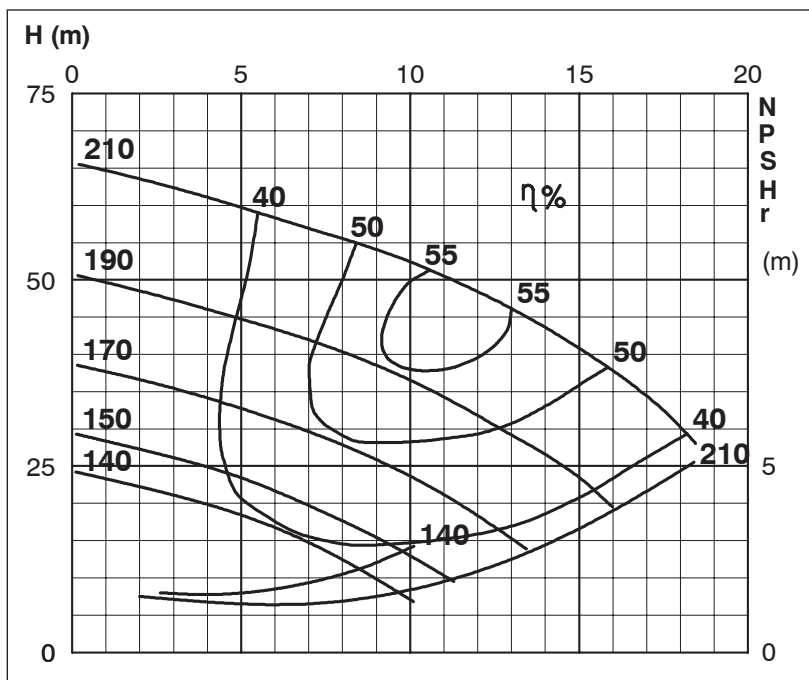


# TECHNICAL SPECIFICATIONS

**Retro-Fit Pumps** ISP Process Pumps - ISP40-200  
ISP Impeller 283868 Open B12 Z3

### Performance Curve - ISP40-200-2910

2910 rpm



Impeller Dia
Ød <sub>2</sub> (mm)
210
205
200
195
190
185
180
175
170
165
160
155
150
145
140

