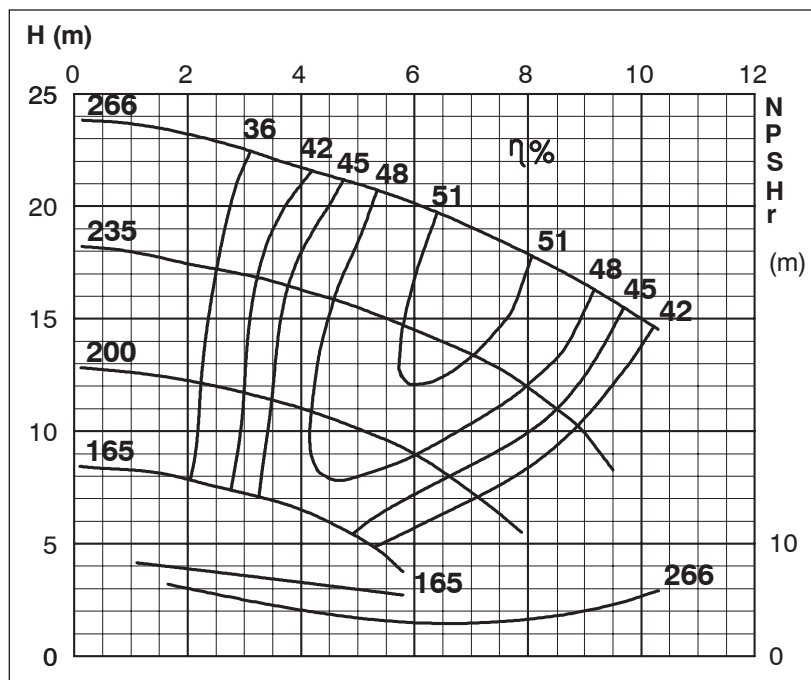


# TECHNICAL SPECIFICATIONS

**Retroc-Fit** Pumps  
**ISP Process Pumps - ISP40-250**  
**ISP Impeller 287015 Open B10 Z3**

### Performance Curve - ISP40-250-1440

1440 rpm



Impeller Dia
Ød <sub>2</sub> (mm)
266
260
255
250
245
240
235
230
225
220
215
210
205
200
195
190
185
180
175
170
165

