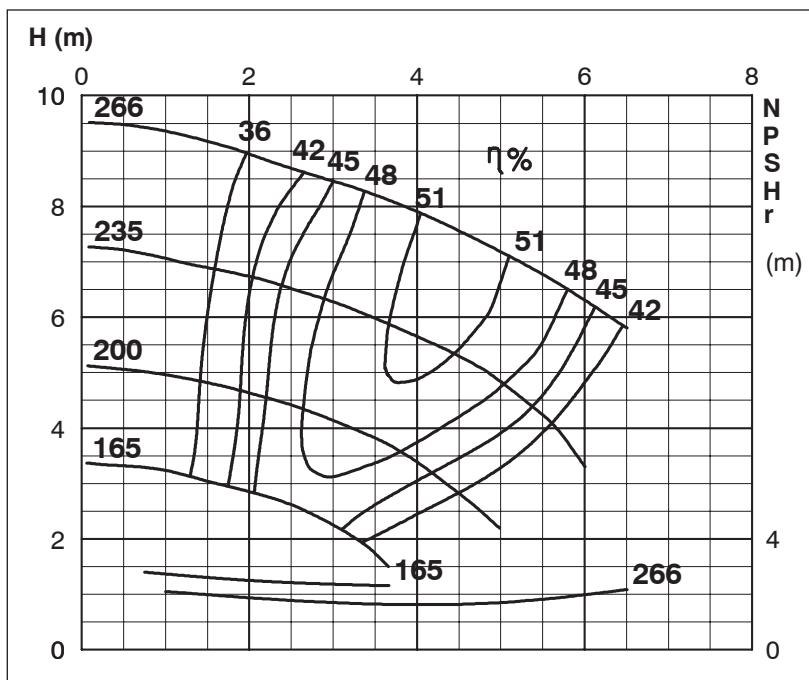


TECHNICAL SPECIFICATIONS

Retroc-Fit Pumps **ISP Process Pumps - ISP40-250 (65-40-250)**
ISP Impeller 287015 Open B10 Z3

Performance Curve - ISP40-250-O-910

910 rpm



Impeller Dia
Ød ₂ (mm)
266
260
255
250
245
240
235
230
225
220
215
210
205
200
195
190
185
180
175
170
165

