

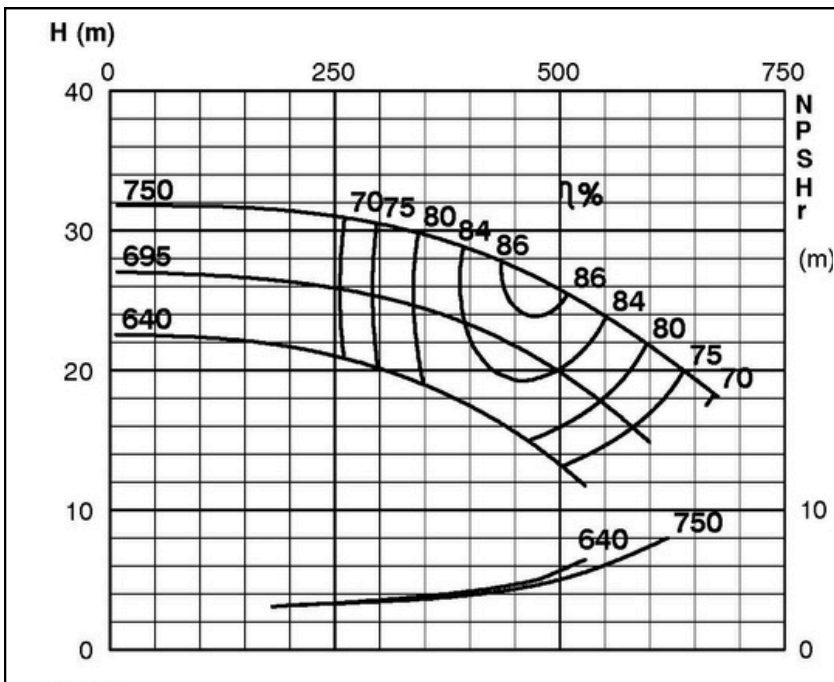
TECHNICAL SPECIFICATIONS



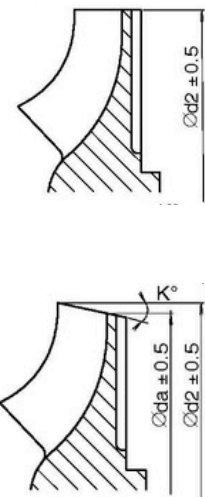
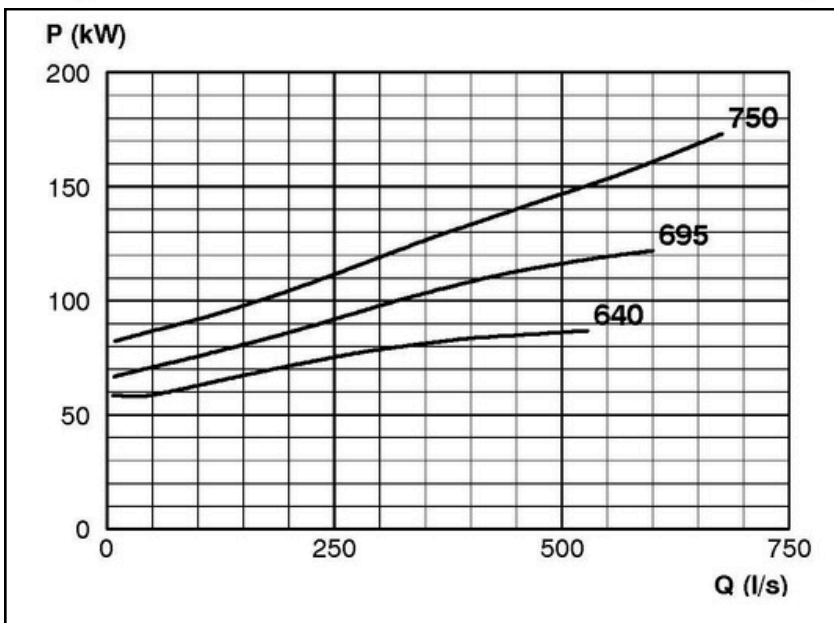
ISP Process Pumps - ISP400-750 (500-400-750) ISP Impeller 289034 OPEN B84 Z6

Performance Curve - ISP400-750-O-590

590 rpm



IMPELLER DIA		
∅d ₂ (mm)	K°	∅d _a (mm)
750		
745		
740		
735		
730		
725		
720		
715		
710		
705		
700		
695		
690		
685		
680		
675		
670		
665		
660		
655		
650	1	646.8
645	1	641.7
640	2	633.4
635	2	628.4
630	3	620.0
625	3	614.9
620	4	606.5
615	5	597.9
610	5	592.8
605	6	584.2



RET13958