

Retroc-Fit

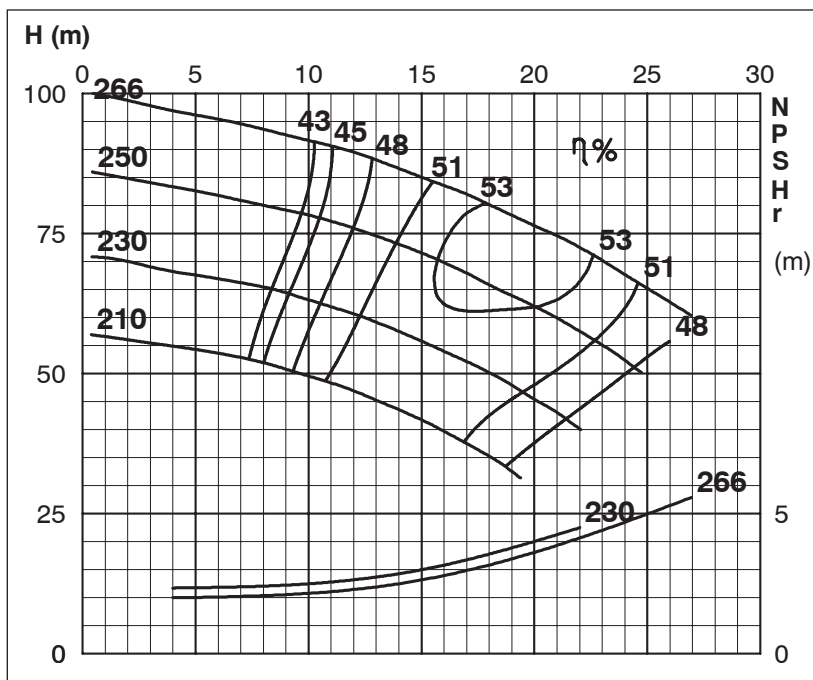
Pumps

TECHNICAL SPECIFICATIONS

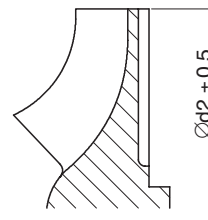
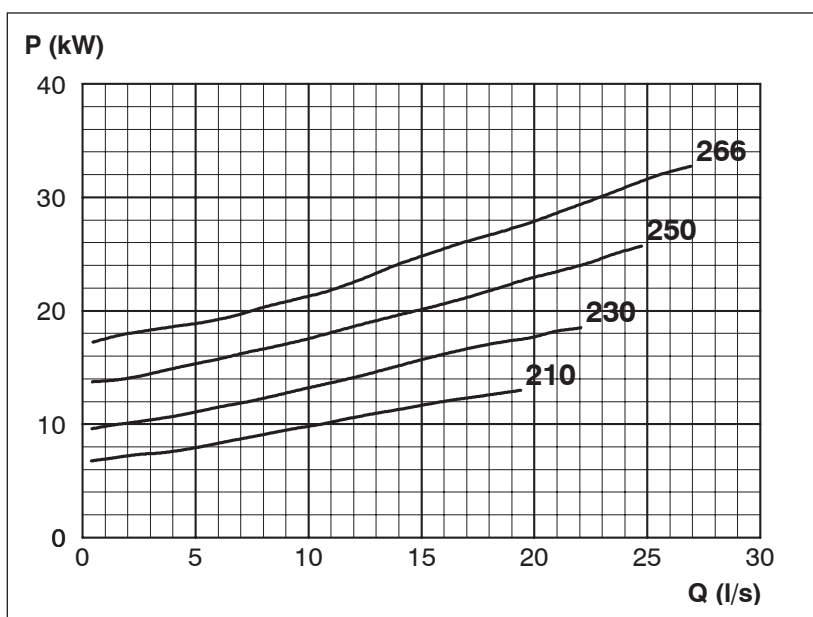
Retroc-Fit Pumps
ISP Process Pumps - ISP50-250
ISP Impeller 283872 Open B14 Z3

Performance Curve - ISP50-250-2940

2940 rpm



Impeller Dia
Ød ₂ (mm)
266
260
255
250
245
240
235
230
225
220
215
210



MTP127

Exclusively Distributed by