

# Retro-Fit

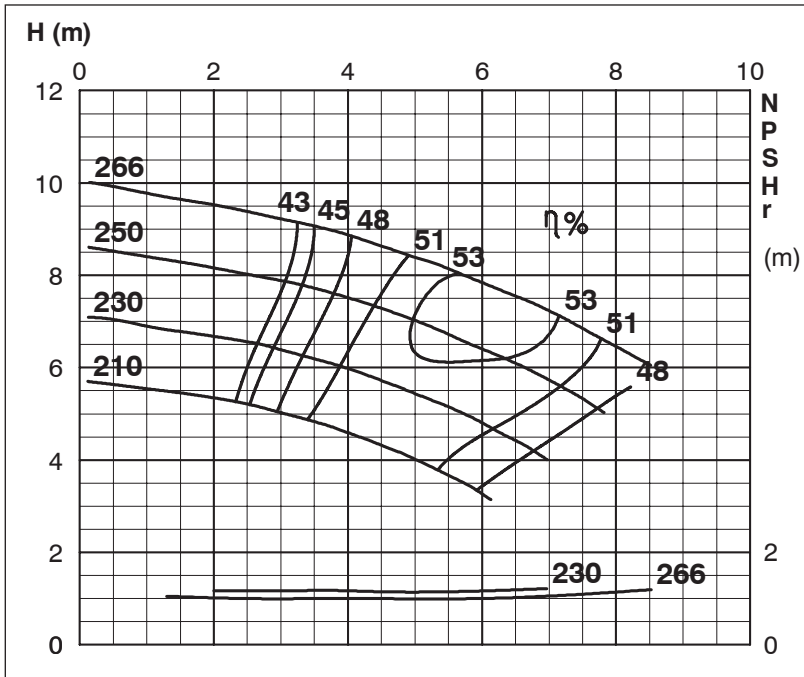
Pumps

## TECHNICAL SPECIFICATIONS

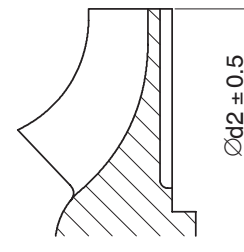
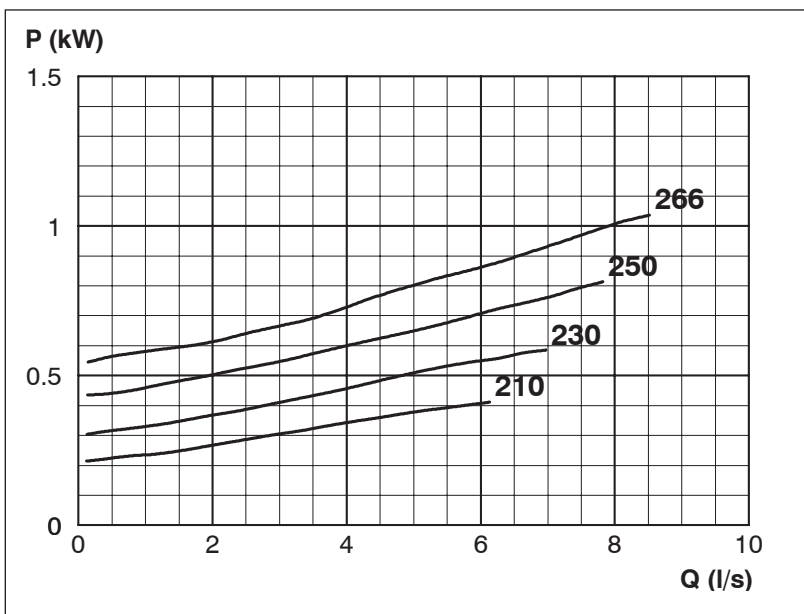
**Retro-Fit** Pumps  
**ISP Process Pumps - ISP50-250 (80-50-250)**  
**ISP Impeller 283872 Open B14 Z3**

Performance Curve - ISP50-250-O-930

930 rpm



Impeller Dia
Ød <sub>2</sub> (mm)
266
260
255
250
245
240
235
230
225
220
215
210



MTP127