

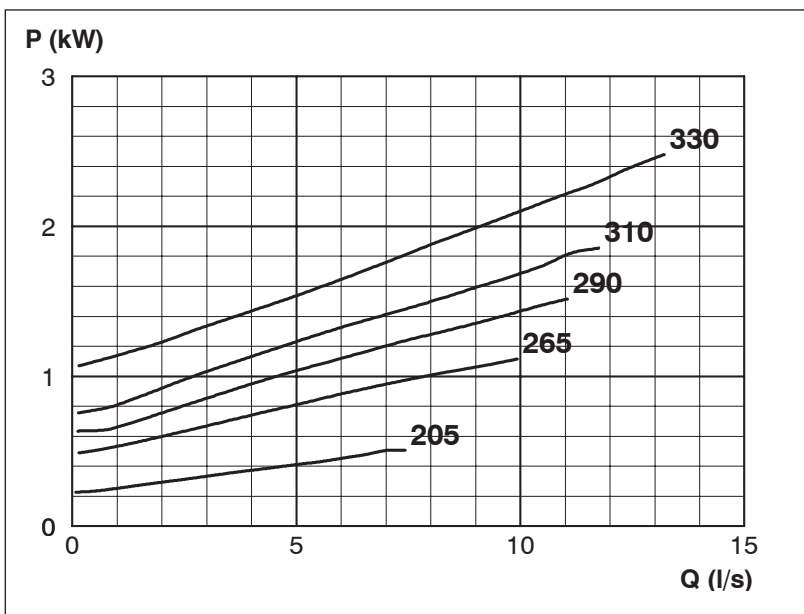
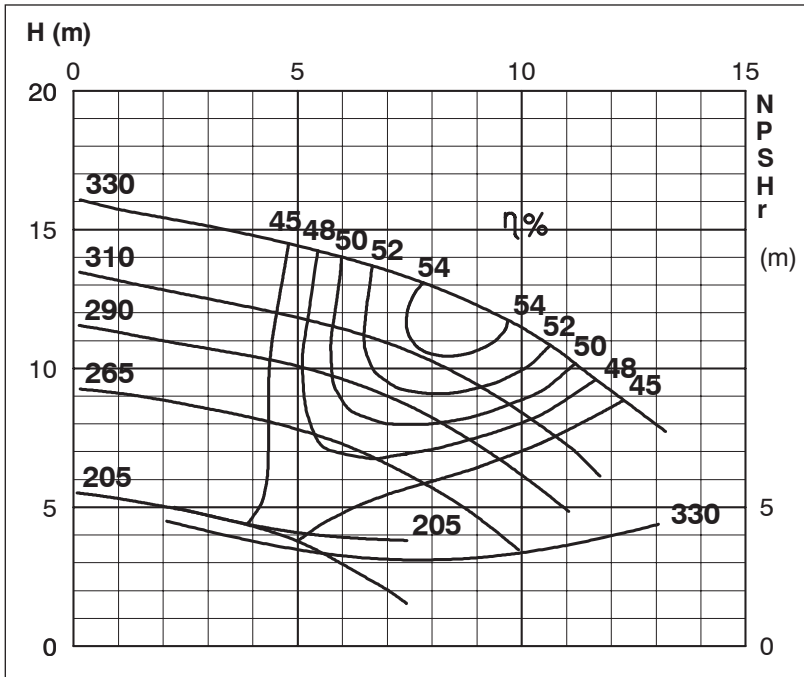
# TECHNICAL SPECIFICATIONS



ISP Process Pumps - ISP50-315 (80-50-315)  
ISP Impeller 287018 Open B12.5 Z3

### Performance Curve - ISP50-315-O-940

940 rpm



Impeller Dia
Ød <sub>2</sub> (mm)
330
325
320
315
310
305
300
295
290
285
280
275
270
265
260
255
250
245
240
235
230
225
215
210
205

