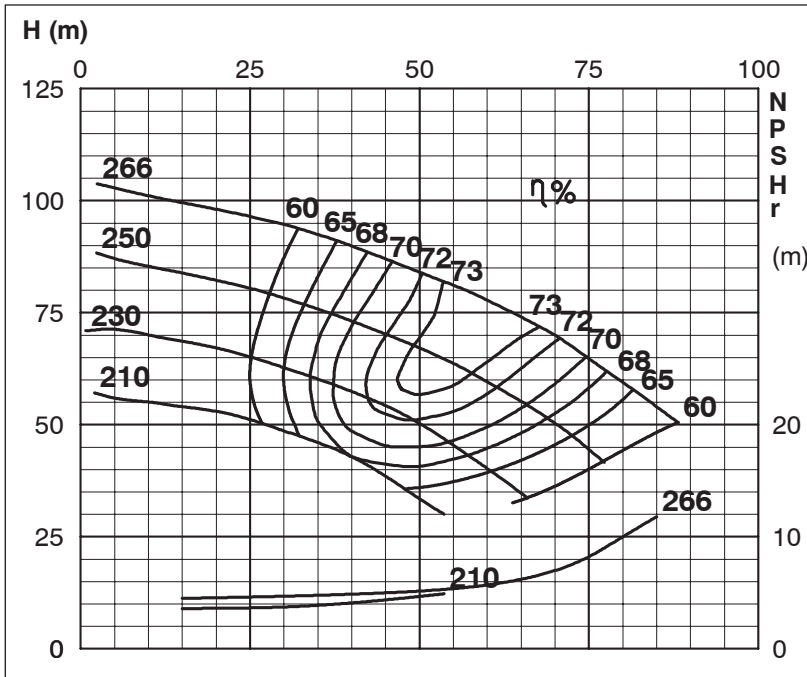


TECHNICAL SPECIFICATIONS

Retro-Fit Pumps
ISP Process Pumps - ISP80-250
ISP Impeller 283874 Open B24 Z4

Performance Curve - ISP80-250-2950

2950 rpm



Impeller Dia
Ød ₂ (mm)
266
260
255
250
245
240
235
230
225
220
215
210

