

Retro-Fit

Pumps

TECHNICAL SPECIFICATIONS

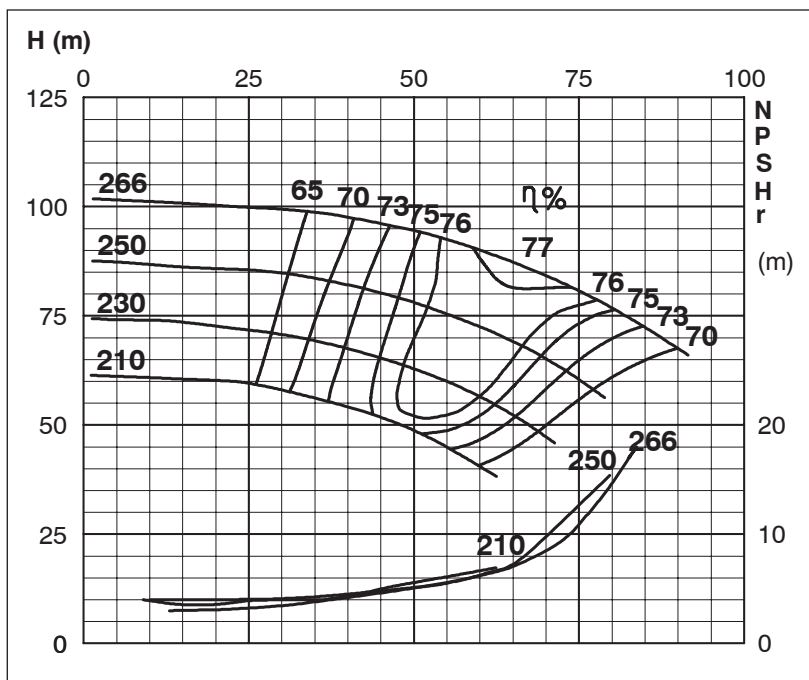
Retro-Fit
Pumps

ISP Process Pumps - ISP80-250

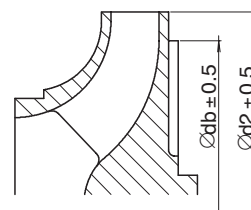
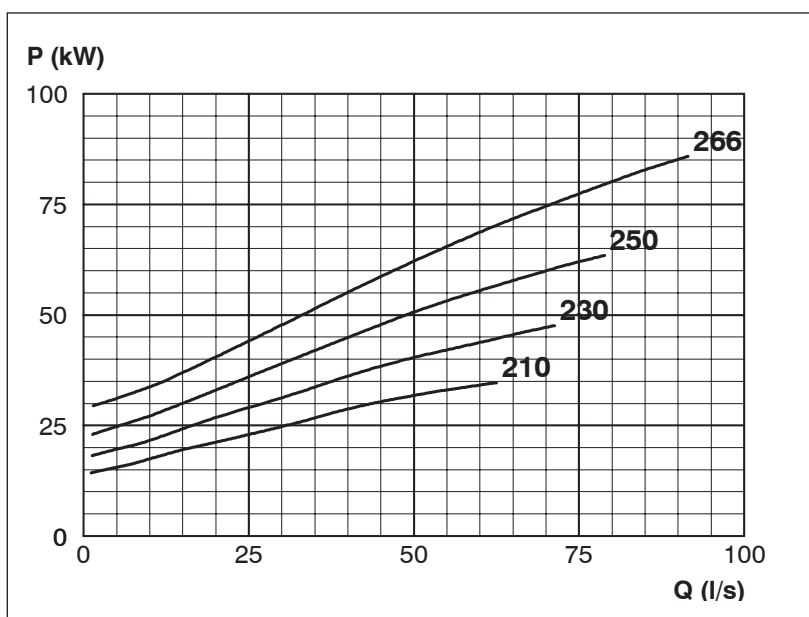
ISP Impeller 283909 Closed B18 Z6

Performance Curve - ISP80-250-2950

2950 rpm



Impeller Dia	
Ød ₂ (mm)	Ød _b (mm)
266	238
260	230
255	227
250	223
245	220
240	216
235	214
230	211
225	209
220	206
215	204
210	201



MTP127

Exclusively Distributed by