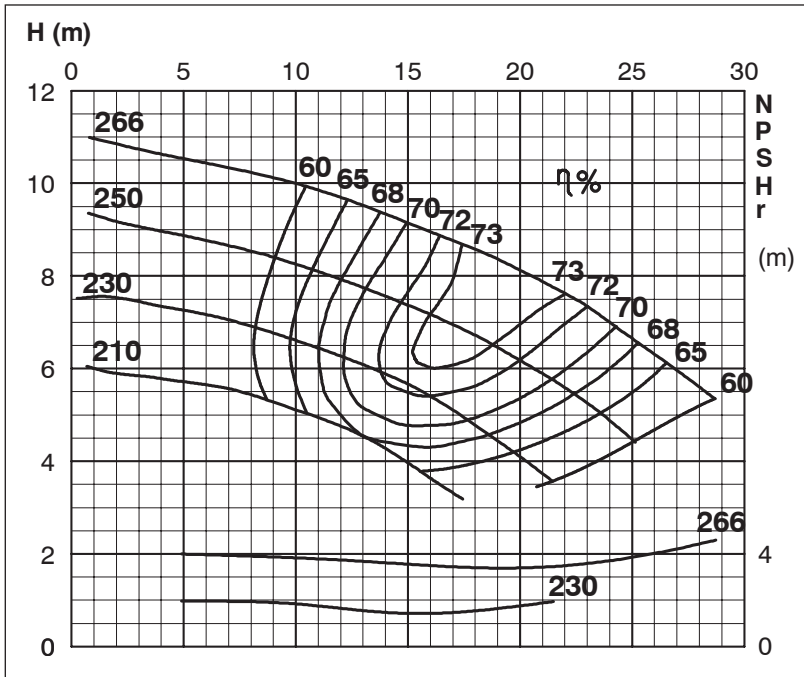


# TECHNICAL SPECIFICATIONS

**Retroc-Fit** Pumps  
**ISP Process Pumps - ISP80-250 (125-80-250)**  
**ISP Impeller 283874 Open B24 Z4**

**Performance Curve - ISP80-250-O-960**

**960 rpm**



Impeller Dia
Ød <sub>2</sub> (mm)
266
260
255
250
245
240
235
230
225
220
215
210

