

TECHNICAL SPECIFICATIONS



ISP Process Pumps - ISP100-315 (125-100-315)

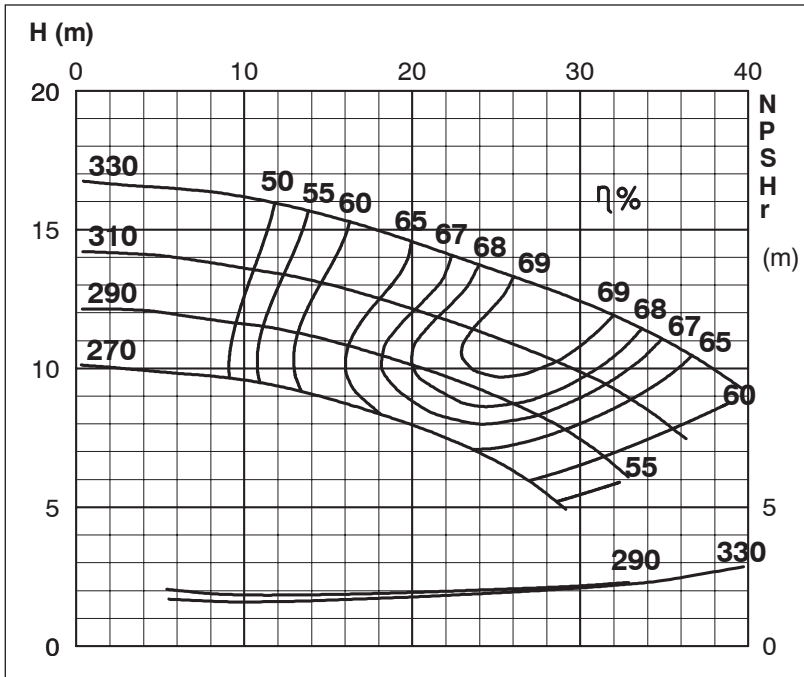
ISP Impeller 283880 Open B24 Z4

ISRP: Impeller 285261OPENB24Z4, Please add the power demand of the degassing unit = 0.6kW

ISSP: Impeller 28526 1OPEN B24Z4 ,Please add the power demand of the degassing unit = 1.1kW

Performance Curve - ISP100-315-O-960

960 rpm



| Impeller Dia |
|----------------------|
| Ød ₂ (mm) |
| 330 |
| 325 |
| 320 |
| 315 |
| 310 |
| 305 |
| 300 |
| 295 |
| 290 |
| 285 |
| 280 |
| 275 |
| 270 |

