

# TECHNICAL SPECIFICATIONS



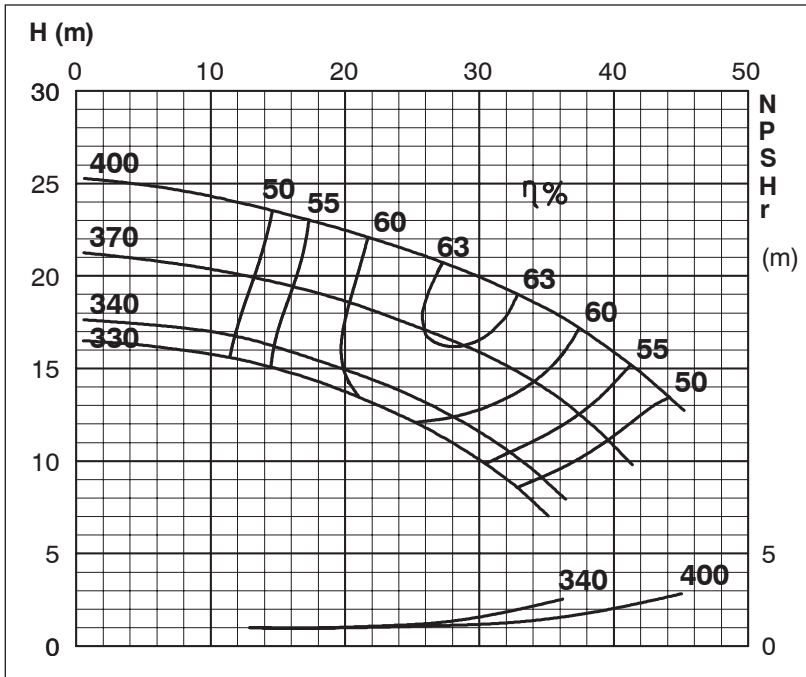
### ISP Process Pumps - ISP100-400 (125-100-400)

### ISP Impeller 283882 Open B18 Z4

ISRP: Impeller 285263 OPEN B18Z4, Please add the power demand of the degassing unit = 0.6kW  
 ISSP: Impeller 285263 OPEN B18Z4, Please add the power demand of the degassing unit = 1.1kW

### Performance Curve - ISP100-400-O-960

960 rpm



Impeller Dia
Ød <sub>2</sub> (mm)
400
395
390
385
380
375
370
365
360
355
350
345
340
335
330

