

TECHNICAL SPECIFICATIONS



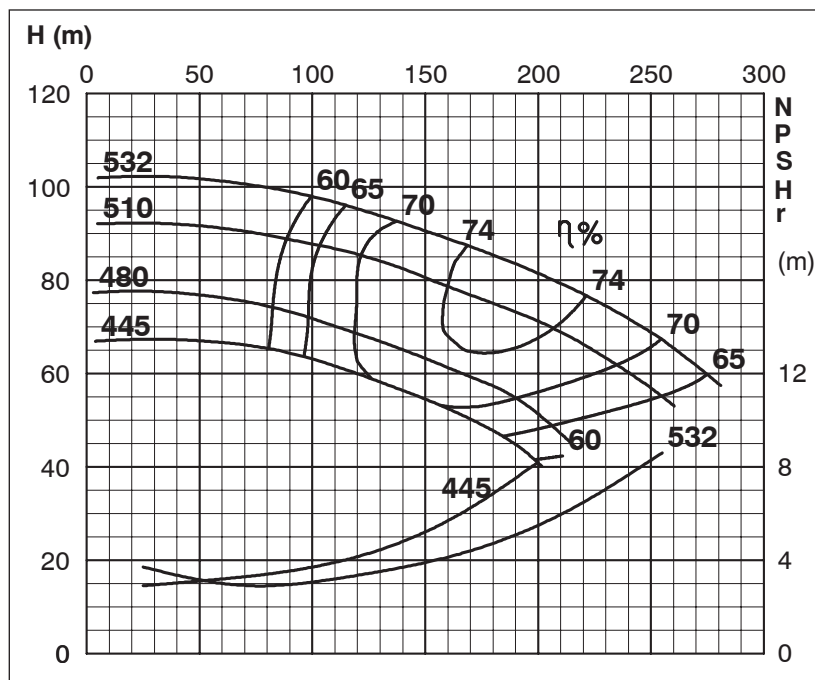
ISP Process Pumps - ISP150-500 (250-150-500)

ISP Impeller 283896 Open B40 Z4

ISRP: Impeller 285277 OPEN B40 Z4, Please add the power demand of the degassing unit = 5.7 kW
 ISSP: Impeller 285277 OPEN B40 Z4, Please add the power demand of the degassing unit = 5.1 kW

Performance Curve - ISP150-500-O-1480

1480 rpm



Impeller Dia
Ød ₂ (mm)
532
525
520
515
510
505
500
495
490
485
480
475
470
465
460
455
450
445

