

Retroc-Fit

Pumps

TECHNICAL SPECIFICATIONS



ISP Process Pumps - ISP200-500 (250-200-500)

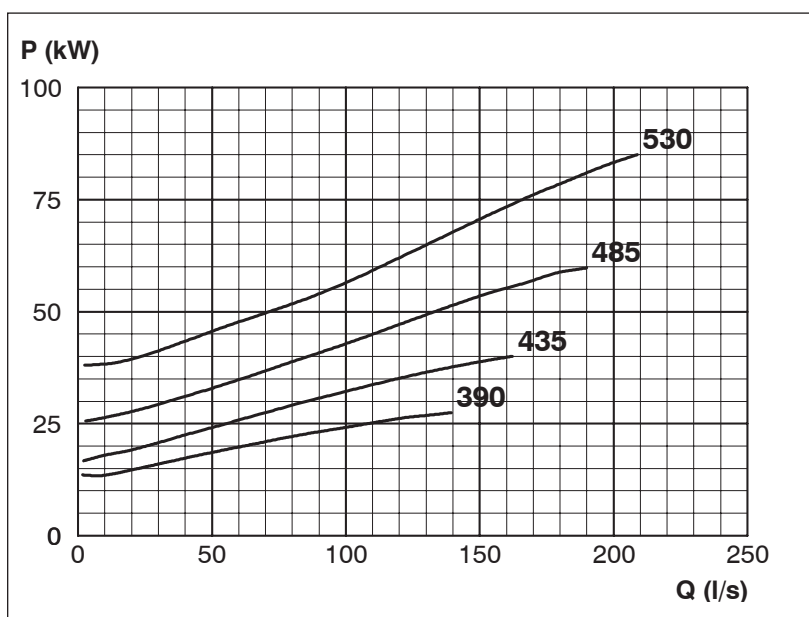
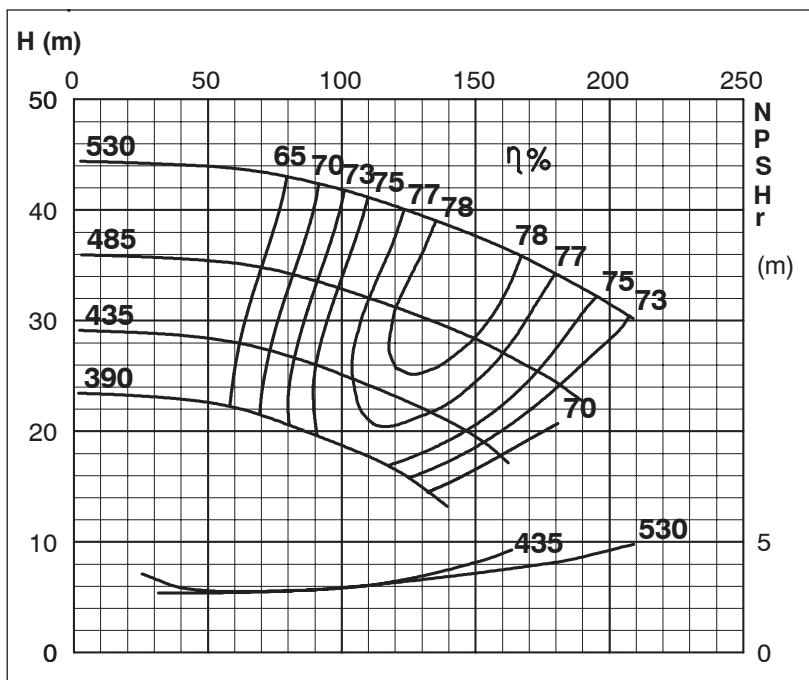
ISP Impeller 283897 Open B35 Z5

ISRP: Impeller 285278 OPEN B35 Z5, Please add the power demand of the degassing unit = 1.6 kW

ISSP: Impeller 285278 OPEN B35 Z5, Please add the power demand of the degassing unit = 2.7 kW

Performance Curve - ISP200-500-O-980

980 rpm



Impeller Dia
Ød ₂ (mm)
530
525
520
515
510
505
500
495
490
485
480
475
470
465
460
455
450
445
440
435
430
425
420
415
410
405
400
395
390

