

### TECHNICAL SPECIFICATIONS



#### ISP Process Pumps - ISP300-400 (350-300-400)

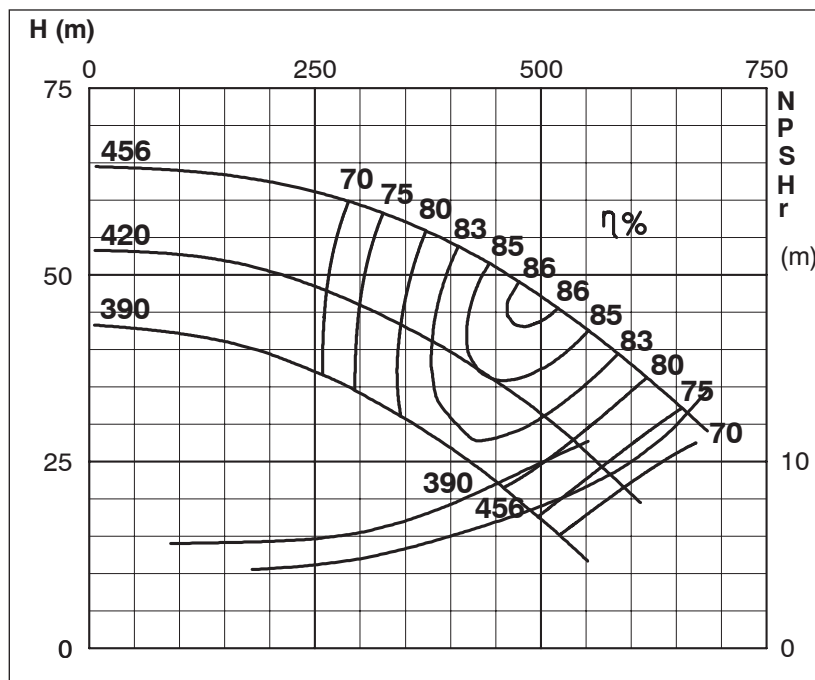
#### ISP Impeller 283893 Open B69 Z6

ISRP: Impeller 285274 OPEN B69 Z6, Please add the power demand of the degassing unit = 5.7 kW

ISSP: Impeller 285274 OPEN B69 Z6, Please add the power demand of the degassing unit = 5.1 kW

#### Performance Curve - ISP300-400-1480

1480 rpm



Impeller Dia		
Ød <sub>2</sub> (mm)	K°	Øda (mm)
456	8	436.8
450	8	430.7
445	9	423.1
440	10	415.5
435	10	410.3
430	11	402.6
425	11	397.2
420	12	389.4
415	12	384.0
410	13	376.1
405	14	367.9
400	15	359.8
395	16	351.7
390	17	343.2

