

TECHNICAL SPECIFICATIONS



ISP Process Pumps - ISP50-315 (80-50-315

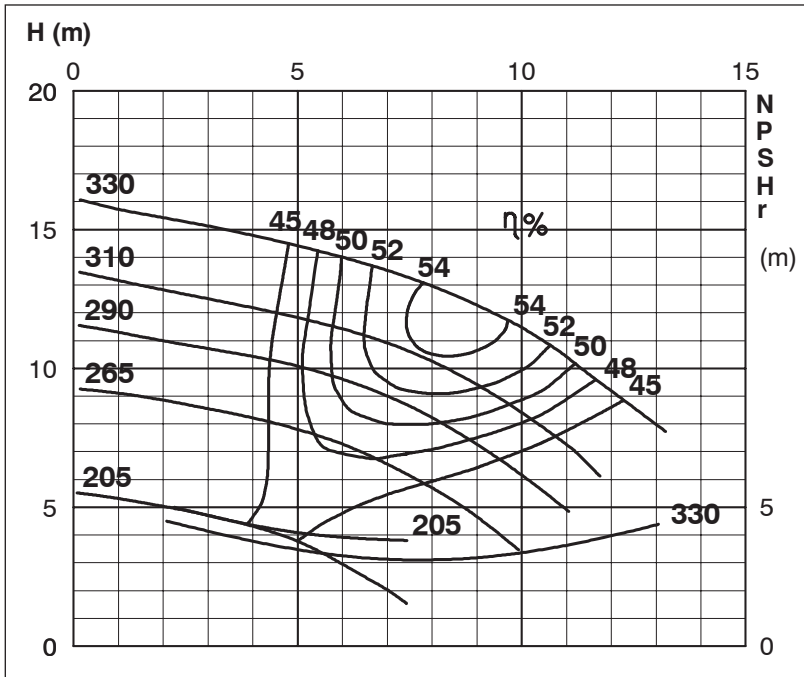
ISP Impeller 287018 Open B12.5 Z3

ISR: Impeller 287968 OPEN B12.5Z3, Please add the power demand of the degassing unit = 0.5kW

ISS: Impeller 287968 OPEN B12.5Z3, Please add the power demand of the degassing unit = 1.1kW

Performance Curve - ISP50-315-O-940

940 rpm



Impeller Dia
Ød ₂ (mm)
330
325
320
315
310
305
300
295
290
285
280
275
270
265
260
255
250
245
240
235
230
225
215
210
205

