

TECHNICAL SPECIFICATIONS



ISP Process Pumps - ISP500-600 (500-500-600)

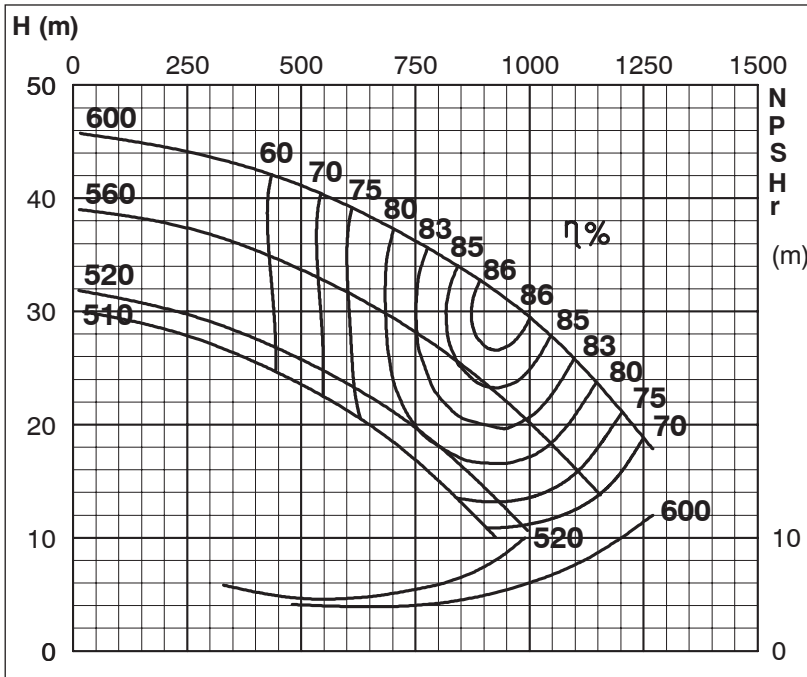
ISP Impeller 283901 Open B114 Z6

ISRP: Impeller 285282 OPEN B114 Z6, Please add the power demand of the degassing unit = 3.1 kW

ISSP: Impeller 285282 OPEN B114 Z6, Please add the power demand of the degassing unit = 2.7 kW

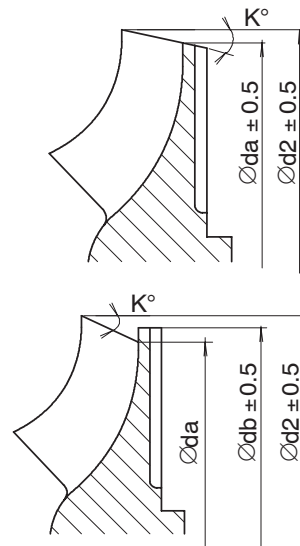
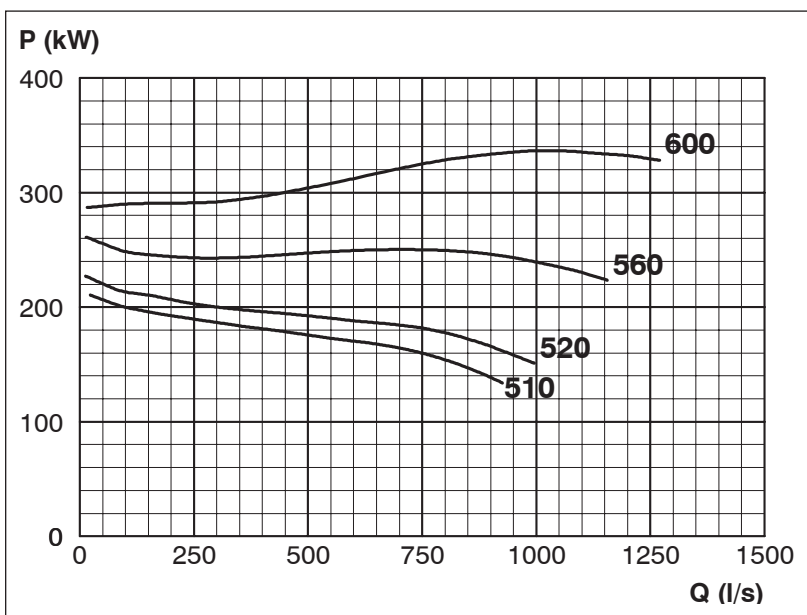
Performance Curve - ISP500-600-O-990

990 rpm



Impeller Dia			
Ød ₂ (mm)	K°	Ød _a (mm)	Ød _b (mm)
600	15	541.2	
595	15	535.7	
590	15	530.2	
585	15	524.7	
580	15	519.2	
575	16	509.7	
570	16	503.8	
565	16	498.3	
560	17	488.7	
555	17	482.5	
550	18	427.7	
545	18	466.8	
540	19	456.7	
535	19	450.7	
530	20	440.4	
525	20	434.0	
520	21	423.0	430 (*)
515	22	413.0	430 (*)
510	23	400.0	430 (*)

*) Only for ARP/ASP



MTP127