

### TECHNICAL SPECIFICATIONS



#### ISP Process Pumps - ISP65-315 (100-65-315)

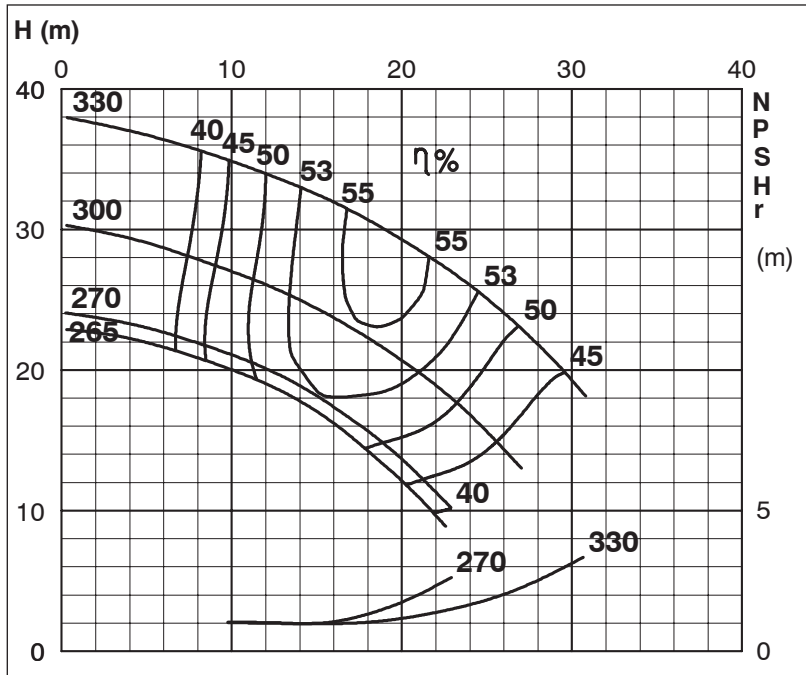
#### ISP Impeller 283878 Open B16 Z3

ISRP: Impeller 285259 OPEN B16 Z3, Please add the power demand of the degassing unit = 2.0 kW

ISSP: Impeller 285259 OPEN B16 Z3, Please add the power demand of the degassing unit = 2.0 kW

#### Performance Curve - ISP65-315-O-1450

1450 rpm



Impeller Dia
Ød <sub>2</sub> (mm)
330
325
320
315
305
300
295
290
285
280
275
270
265

