

TECHNICAL SPECIFICATIONS



ISP Process Pumps - ISP100-250 (125-100-250)

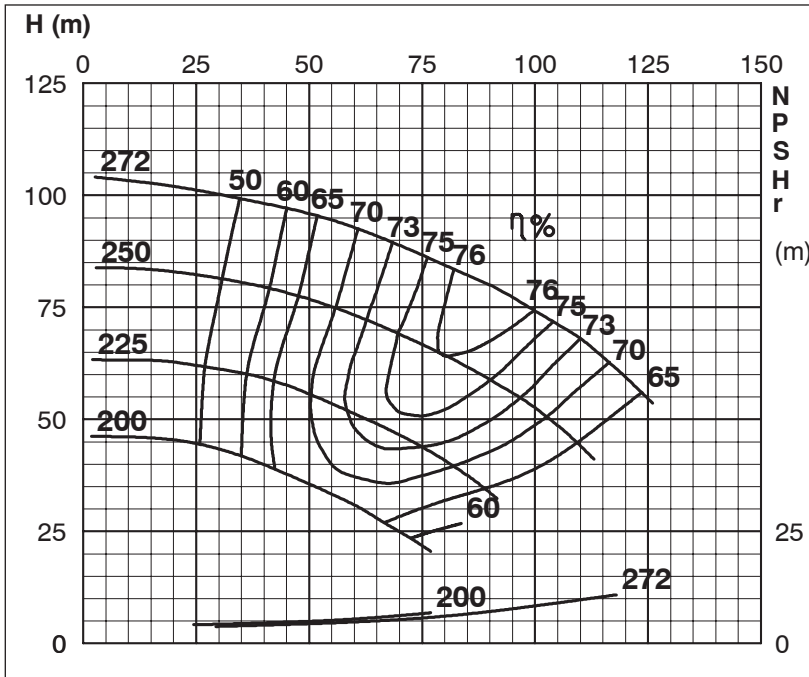
ISP Impeller 283875 Open B32 Z4

ISRP: Impeller 285256 OPEN B32 Z4, Please add the power demand of the degassing unit = 10.2 kW

ISSP: Impeller 285256 OPEN B32 Z4, Please add the power demand of the degassing unit = 5 kW

Performance Curve - ISP100-250-O-2950

2950 rpm



Impeller Dia		
$\varnothing d_2$ (mm)	K°	$\varnothing d_a$ (mm)
272		
265		
260		
255		
250		
245		
240		
235		
230	4	225.2
225	4	220.2
220	6	212.8
215	6	207.6
210	8	200.2
205	9	193.7
200	10	187.5

