

TECHNICAL SPECIFICATIONS



ISP Process Pumps - ISP100-315 (125-100-315)

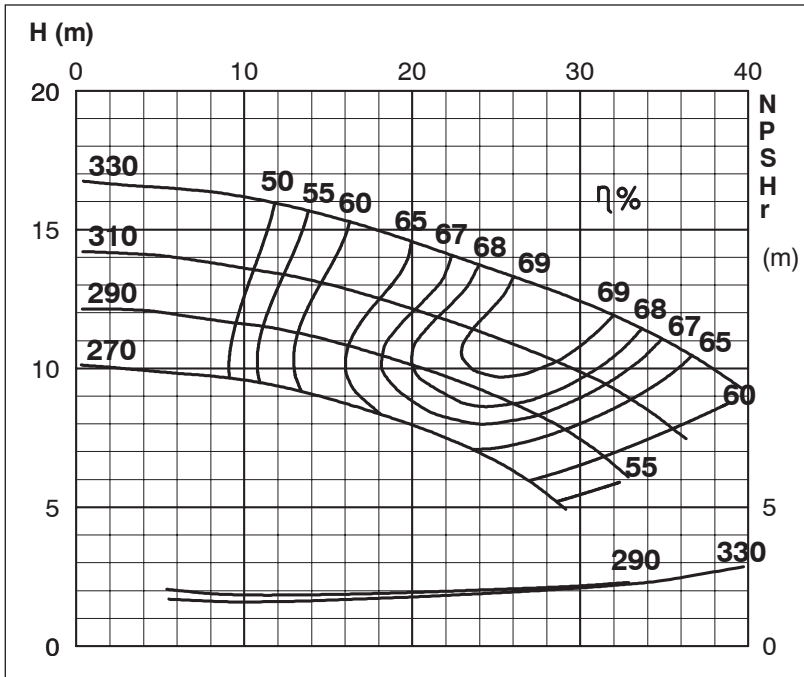
ISP Impeller 283880 Open B24 Z4

ISRP: Impeller 285261OPENB24Z4, Please add the power demand of the degassing unit = 0.6kW

ISSP: Impeller 28526 1OPEN B24Z4 ,Please add the power demand of the degassing unit = 1.1kW

Performance Curve - ISP100-315-O-960

960 rpm



Impeller Dia
Ød ₂ (mm)
330
325
320
315
310
305
300
295
290
285
280
275
270

