

TECHNICAL SPECIFICATIONS



ISP Process Pumps - ISP150-400 (200-150-400)

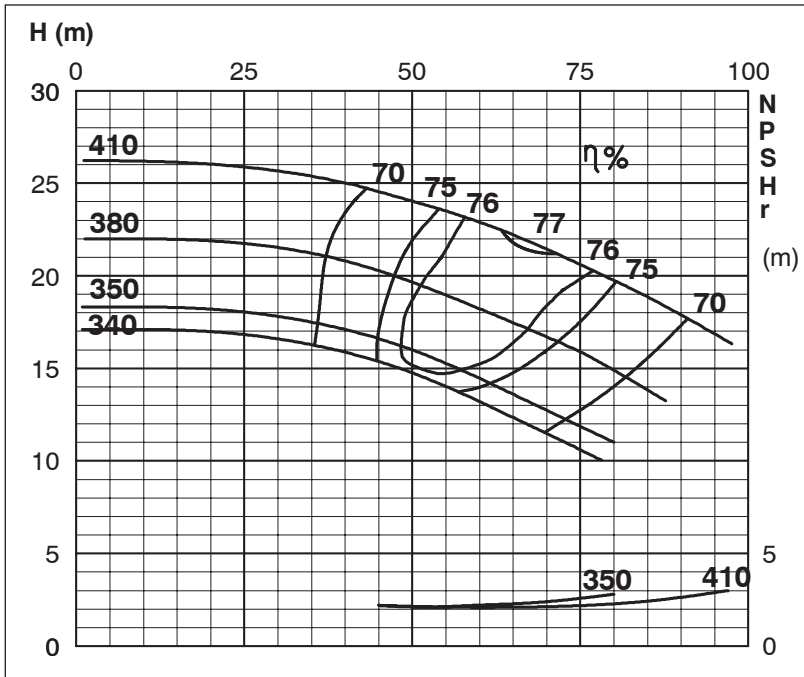
ISP Impeller 283890 Open B26 Z5

ISRP: Impeller 285271 OPEN B26 Z5, Please add the power demand of the degassing unit = 0.7 kW

ISSP: Impeller 285271 OPEN B26 Z5, Please add the power demand of the degassing unit = 1.5 kW

Performance Curve - ISP150-400-O-980

980 rpm



| Impeller Dia | | |
|----------------------|----|----------|
| Ød ₂ (mm) | K° | Øda (mm) |
| 410 | | |
| 405 | | |
| 400 | | |
| 395 | | |
| 390 | | |
| 385 | | |
| 380 | 1 | 379 |
| 375 | 2 | 373 |
| 370 | 3 | 367 |
| 365 | 4 | 361 |
| 360 | 5 | 355 |
| 355 | 6 | 349 |
| 350 | 7 | 343 |
| 345 | 7 | 338 |
| 340 | 8 | 332 |

