

# Retroc-Fit

## Pumps

### TECHNICAL SPECIFICATIONS



#### ISP Process Pumps - ISP200-500 (250-200-500)

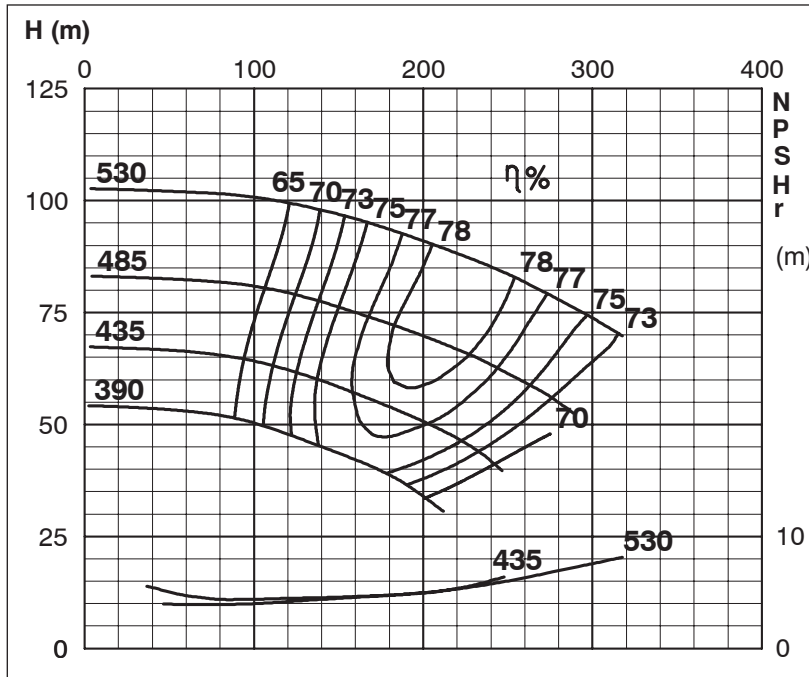
#### ISP Impeller 283897 Open B35 Z5

ISRP: Impeller 285278 OPEN B35 Z5, Please add the power demand of the degassing unit = 5.7 kW

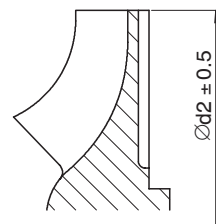
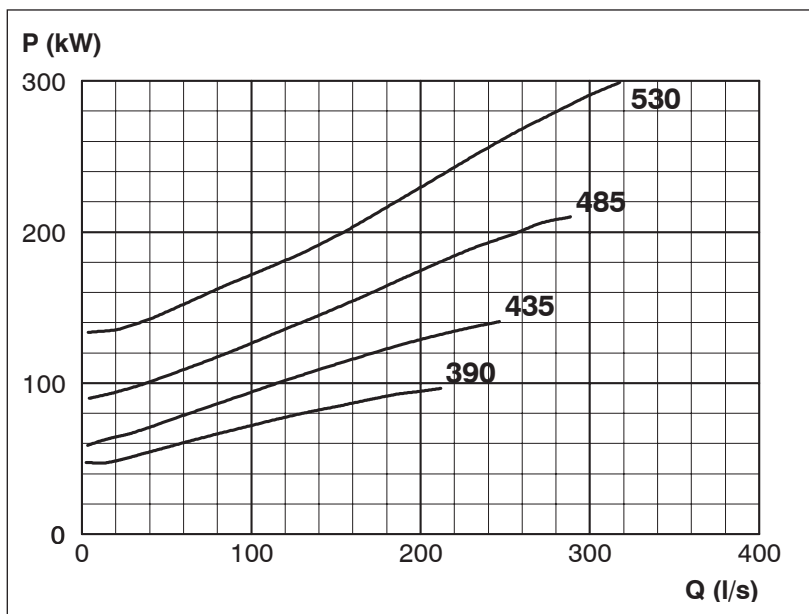
ISSP: Impeller 285278 OPEN B35 Z5, Please add the power demand of the degassing unit = 5.1 kW

#### Performance Curve - ISP200-500-O-1490

1490 rpm



Impeller Dia
Ød <sub>2</sub> (mm)
530
525
520
515
510
505
500
495
490
485
480
475
470
465
460
455
450
445
440
435
430
425
420
415
410
405
400
395
390



MTP127