

Retroc-Fit

Pumps

TECHNICAL SPECIFICATIONS



ISP Process Pumps - ISP200-500 (250-200-500)

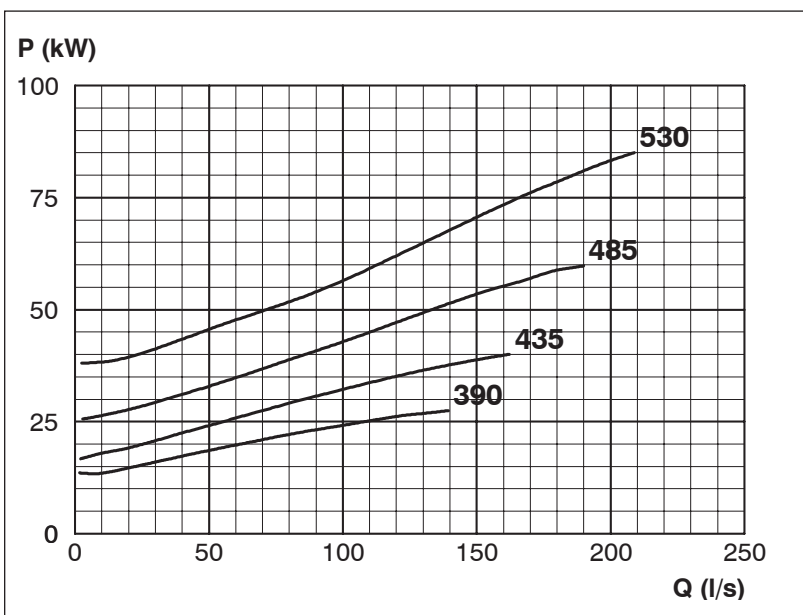
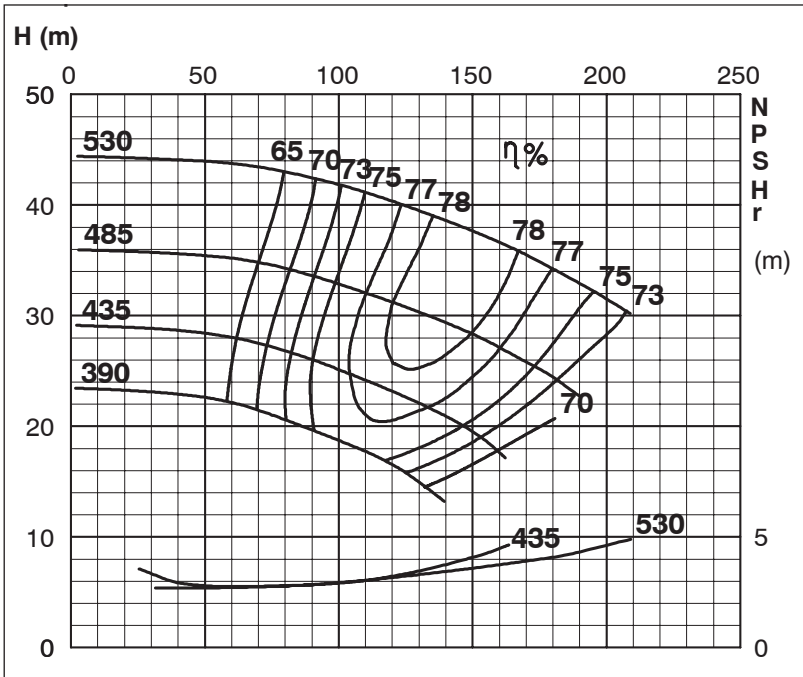
ISP Impeller 283897 Open B35 Z5

ISRP: Impeller 285278 OPEN B35 Z5, Please add the power demand of the degassing unit = 1.6 kW

ISSP: Impeller 285278 OPEN B35 Z5, Please add the power demand of the degassing unit = 2.7 kW

Performance Curve - ISP200-500-O-980

980 rpm



| Impeller Dia |
|----------------------|
| Ød ₂ (mm) |
| 530 |
| 525 |
| 520 |
| 515 |
| 510 |
| 505 |
| 500 |
| 495 |
| 490 |
| 485 |
| 480 |
| 475 |
| 470 |
| 465 |
| 460 |
| 455 |
| 450 |
| 445 |
| 440 |
| 435 |
| 430 |
| 425 |
| 420 |
| 415 |
| 410 |
| 405 |
| 400 |
| 395 |
| 390 |

