

# TECHNICAL SPECIFICATIONS



### ISP Process Pumps - ISP50-250 (80-50-250)

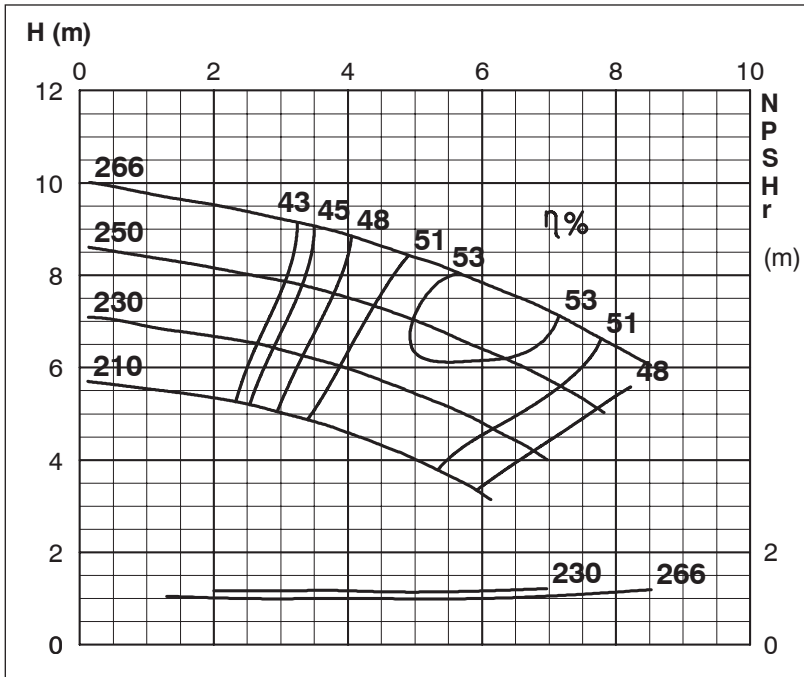
### ISP Impeller 283872 Open B14 Z3

ISRP: Impeller 287964 OPEN B14Z3, Please add the power demand of the degassing unit = 0.3kW

ISSP: Impeller 287964 OPEN B14Z3, Please add the power demand of the degassing unit = 1.0kW

### Performance Curve - ISP50-250-O-930

930 rpm



Impeller Dia
Ød <sub>2</sub> (mm)
266
260
255
250
245
240
235
230
225
220
215
210

